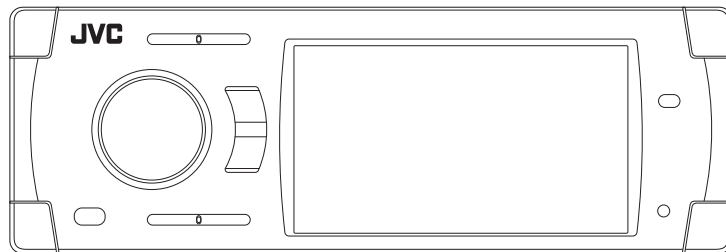
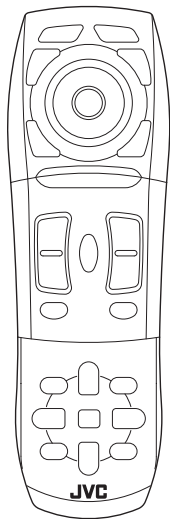


JVC

SERVICE MANUAL

DVD/CD RECEIVER

KD-ADV38J, KD-AVX33J, KD-AVX33E, KD-AVX33EE, KD-AVX33U, KD-AVX33A



KD-ADV38J
KD-AVX33J

KD-AVX33E
KD-AVX33EE

Lead free solder used in the board (material : Sn-Ag-Cu, melting point : 219 Centigrade)

Lead free solder used in the board (material : Sn-Cu, melting point : 230 Centigrade)

TABLE OF CONTENTS

1	PRECAUTION.....	1-8
2	SPECIFIC SERVICE INSTRUCTIONS.....	1-11
3	DISASSEMBLY.....	1-12
4	ADJUSTMENT.....	1-24
5	TROUBLESHOOTING.....	1-39

SPECIFICATION

KD-ADV38/KD-AVX33J

AMPLIFIER		
Power Output	20 W RMS × 4 Channels at 4 Ω and [\leq] 1% THD+N	
Signal-to-Noise Ratio	80 dBA (reference: 1 W into 4 Ω)	
Load Impedance	4 Ω (4 Ω to 8 Ω allowance)	
Equalizer Control Range	Frequencies	60 Hz, 150 Hz, 400 Hz, 1 kHz, 2.5 kHz, 6.3 kHz, 15 kHz
	Level	±10 dB
Audio Output Level LINE OUT (FRONT/REAR)/CENTER OUT/SUBWOOFER	Line-Out Level/Impedance	5.0 V/20 kΩ load (full scale)
	Output Impedance	1 kΩ
Color System	NTSC	
Video Output (composite)	1 V _{p-p} /75 Ω	
Other Terminals	Input	LINE IN, VIDEO IN, MIC IN, USB input terminal, Antenna input
	Output	2nd AUDIO OUT, VIDEO OUT
	Others	CD changer, OE REMOTE
FM/AM TUNER		
Frequency Range	FM	87.5 MHz to 107.9 MHz (with channel interval set to 100 kHz or 200 kHz) 87.5 MHz to 108.0 MHz (with channel interval set to 50 kHz)
	AM	530 kHz to 1 710 kHz (with channel interval set to 10 kHz) 531 kHz to 1 602 kHz (with channel interval set to 9 kHz)
FM Tuner	Usable Sensitivity	11.3 dBf (1.0 μV/75 Ω)
	50 dB Quieting Sensitivity	16.3 dBf (1.8 μV/75 Ω)
	Alternate Channel Selectivity (400 kHz)	65 dB
	Frequency Response	40 Hz to 15 000 Hz
	Stereo Separation	35 dB
AM Tuner	Sensitivity/Selectivity	20 μV/35 dB
DVD/CD		
Signal Detection System	Non-contact optical pickup (semiconductor laser)	
Frequency Response	DVD, fs=48 kHz	16 Hz to 22 000 Hz
	DVD, fs=192 kHz	16 Hz to 88 000 Hz
	VCD/CD	16 Hz to 20 000 Hz
Dynamic Range	93 dB	
Signal-to-Noise Ratio	95 dB	
Wow and Flutter	Less than measurable limit	
MONITOR		
Screen Size	3.5 inch wide liquid crystal display	
Number of Pixel	211 200 pixels: 960 (horizontal) × 220 (vertical)	
Drive Method	TFT (Thin Film Transistor) active matrix format	
Color System	PAL/NTSC	
Aspect Ratio	16:9 (wide)	
Allowable Storage Temperature	-10°C to +60°C (14°F to 140°F)	
Allowable Operating Temperature	0°C to +40°C (32°F to 104°F)	
USB		
USB Standards	USB 1.1	
Data Transfer Rate	Full Speed: Maximum 12 Mbytes Low Speed: Maximum 1.5 Mbytes	
Compatible Device	Mass storage class	
Compatible File System	FAT 32/16/12	
Max. Current	Less than 500 mA/5 V	
BLUETOOTH		
Version	Bluetooth 1.2 certified	
Output Power	+4 dBm Max. (Power class 2)	
Service Area	Within 10 m (10.9 yd)	

Profile		HSP (Headset Profile) HFP (Hands-Free Profile) A2DP (Advanced Audio Distribution Profile) AVRCP (Audio/Video Remote Control Profile) SPP (Serial Port Profile) OPP (Object Push Profile)
GENERAL		
Power Requirement	Operating Voltage	DC 14.4 V (11 V to 16 V allowance)
Grounding System		Negative ground
Allowable Operating Temperature		0°C to +40°C (32°F to 104°F)
Dimensions (W × H × D)	Installation Size (approx.)	182 mm × 52 mm × 160 mm (7-3/16" × 2-1/16" × 6-5/16")
	Panel Size (approx.)	188 mm × 58 mm × 12 mm (7-7/16" × 2-5/16" × 1/2")
Mass (approx.)		2.1 kg (4.7 lbs) (excluding accessories)

Design and specifications are subject to change without notice.

KD-AVX33E

AMPLIFIER		
Maximum Power Output	Front/Rear	50 W per channel
Continuous Power Output (RMS)	Front/Rear	20 W per channel into 4 Ω, 40 Hz to 20 000 Hz at no more than 0.8% total harmonic distortion
Load Impedance		4 Ω (4 Ω to 8 Ω allowance)
Equalizer Control Range	Frequencies	60 Hz, 150 Hz, 400 Hz, 1 kHz, 2.5 kHz, 6.3 kHz, 15 kHz
	Level	±10 dB
Signal-to-Noise Ratio		70 dB
Audio Output Level LINE OUT (FRONT/REAR)/CENTER OUT/SUBWOOFER	Line-Out Level/Impedance	5.0 V/20 kΩ load (full scale)
	Output Impedance	1 kΩ
Color System		PAL
Video Output (composite)		1 Vp-p/75 Ω
Other Terminals	Input	LINE IN, VIDEO IN, MIC IN, USB input terminal, Aerial input
	Output	2nd AUDIO OUT, VIDEO OUT
	Others	CD changer, OE REMOTE
FM/AM TUNER		
Frequency Range	FM	87.5 MHz to 108.0 MHz
	AM	(MW) 522 kHz to 1 620 kHz (LW) 144 kHz to 279 kHz
FM Tuner	Usable Sensitivity	11.3 dBf (1.0 μV/75 Ω)
	50 dB Quieting Sensitivity	16.3 dBf (1.8 μV/75 Ω)
	Alternate Channel Selectivity (400 kHz)	65 dB
	Frequency Response	40 Hz to 15 000 Hz
	Stereo Separation	35 dB
MW Tuner	Sensitivity/Selectivity	20 μV/35 dB
LW Tuner	Sensitivity	50 μV
DVD/CD		
Signal Detection System		Non-contact optical pickup (semiconductor laser)
Frequency Response	DVD, fs=48 kHz	16 Hz to 22 000 Hz
	DVD, fs=192 kHz	16 Hz to 88 000 Hz
	VCD/CD	16 Hz to 20 000 Hz
Dynamic Range		93 dB
Signal-to-Noise Ratio		95 dB
Wow and Flutter		Less than measurable limit
MONITOR		
Screen Size		3.5 inch wide liquid crystal display
Number of Pixel		211 200 pixels: 960 (horizontal) × 220 (vertical)
Drive Method		TFT (Thin Film Transistor) active matrix format
Color System		PAL/NTSC
Aspect Ratio		16:9 (wide)
Allowable Storage Temperature		-10°C to +60°C
Allowable Operating Temperature		0°C to +40°C

USB		
USB Standards		USB 1.1
Data Transfer Rate		Full Speed: Maximum 12 Mbytes Low Speed: Maximum 1.5 Mbytes
Compatible Device:		Mass storage class
Compatible File System:		FAT 32/16/12
Max. Current:		Less than 500 mA/5 V
BLUETOOTH		
Version		Bluetooth 1.2 certified
Output Power		+4 dBm Max. (Power class 2)
Service Area		Within 10 m
Profile		HSP (Headset Profile) HFP (Hands-Free Profile) A2DP (Advanced Audio Distribution Profile) AVRCP (Audio/Video Remote Control Profile) SPP (Serial Port Profile) OPP (Object Push Profile)
GENERAL		
Power Requirement	Operating Voltage	DC 14.4 V (11 V to 16 V allowance)
Grounding System		Negative ground
Allowable Operating Temperature		0°C to +40°C
Dimensions (W × H × D)	Installation Size (approx.)	182 mm × 52 mm × 160 mm
	Panel Size (approx.)	188 mm × 58 mm × 12 mm
Mass (approx.)		2.1 kg (excluding accessories)

Design and specifications are subject to change without notice.

KD-AVX33EE

AMPLIFIER		
Maximum Power Output	Front/Rear	50 W per channel
Continuous Power Output (RMS)	Front/Rear	20 W per channel into 4 Ω, 40 Hz to 20 000 Hz at no more than 0.8% total harmonic distortion
Load Impedance		4 Ω (4 Ω to 8 Ω allowance)
Equalizer Control Range	Frequencies	60 Hz, 150 Hz, 400 Hz, 1 kHz, 2.5 kHz, 6.3 kHz, 15 kHz
	Level	±10 dB
Signal-to-Noise Ratio		70 dB
Audio Output Level LINE OUT (FRONT/REAR)/CENTER OUT/SUBWOOFER	Line-Out Level/Impedance	5.0 V/20 kΩ load (full scale)
	Output Impedance	1 kΩ
Color System		PAL
Video Output (composite)		1 V _p -p/75 Ω
Other Terminals	Input	LINE IN, VIDEO IN, MIC IN, USB input terminal, Aerial input
	Output	2nd AUDIO OUT, VIDEO OUT
	Others	CD changer, OE REMOTE
FM/AM TUNER		
Frequency Range	FM	87.5 MHz to 108.0 MHz
	AM	(MW) 522 kHz to 1 620 kHz (LW) 144 kHz to 279 kHz
FM Tuner	Usable Sensitivity	11.3 dBf (1.0 μV/75 Ω)
	50 dB Quieting Sensitivity	16.3 dBf (1.8 μV/75 Ω)
	Alternate Channel Selectivity (400 kHz)	65 dB
	Frequency Response	40 Hz to 15 000 Hz
	Stereo Separation	35 dB
MW Tuner	Sensitivity/Selectivity	20 μV/35 dB
LW Tuner	Sensitivity	50 μV
DVD/CD		
Signal Detection System		Non-contact optical pickup (semiconductor laser)
Frequency Response	DVD, fs=48 kHz	16 Hz to 22 000 Hz
	DVD, fs=192 kHz	16 Hz to 88 000 Hz
	VCD/CD	16 Hz to 20 000 Hz
Dynamic Range		93 dB

Signal-to-Noise Ratio	95 dB	
Wow and Flutter	Less than measurable limit	
MONITOR		
Screen Size	3.5 inch wide liquid crystal display	
Number of Pixel	211 200 pixels: 960 (horizontal) × 220 (vertical)	
Drive Method	TFT (Thin Film Transistor) active matrix format	
Color System	PAL/NTSC	
Aspect Ratio	16:9 (wide)	
Allowable Storage Temperature	-10°C to +60°C	
Allowable Operating Temperature	0°C to +40°C	
USB		
USB Standards	USB 1.1	
Data Transfer Rate	Full Speed: Maximum 12 Mbytes Low Speed: Maximum 1.5 Mbytes	
Compatible Device	Mass storage class	
Compatible File System	FAT 32/16/12	
Max. Current	Less than 500 mA/5 V	
BLUETOOTH		
Version	Bluetooth 1.2 certified	
Output Power	+4 dBm Max. (Power class 2)	
Service Area	Within 10 m	
Profile	HSP (Headset Profile) HFP (Hands-Free Profile) A2DP (Advanced Audio Distribution Profile) AVRCP (Audio/Video Remote Control Profile) SPP (Serial Port Profile) OPP (Object Push Profile)	
GENERAL		
Power Requirement	Operating Voltage	DC 14.4 V (11 V to 16 V allowance)
Grounding System	Negative ground	
Allowable Operating Temperature	0°C to +40°C	
Dimensions (W × H × D)	Installation Size (approx.)	182 mm × 52 mm × 160 mm
	Panel Size (approx.)	188 mm × 58 mm × 12 mm
Mass (approx.)	2.1 kg (excluding accessories)	

Design and specifications are subject to change without notice.

KD-AVX33U

AMPLIFIER		
Maximum Power Output	Front/Rear	50 W per channel
Continuous Power Output (RMS)	Front/Rear	20 W per channel into 4 Ω, 40 Hz to 20 000 Hz at no more than 0.8% total harmonic distortion.
Signal-to-Noise Ratio	70 dB	
Load Impedance	4 Ω (4 Ω to 8 Ω allowance)	
Equalizer Control Range	Frequencies	60 Hz, 150 Hz, 400 Hz, 1 kHz, 2.5 kHz, 6.3 kHz, 15 kHz
	Level	±10 dB
Audio Output Level LINE OUT (FRONT/REAR)/CENTER OUT/SUBWOOFER	Line-Out Level/Impedance	5.0 V/20 kΩ load (full scale)
	Output Impedance	1 kΩ
Color System	NTSC/PAL	
Video Output (composite)	1 V _{p-p} /75 Ω	
Other Terminals	Input	LINE IN, VIDEO IN, MIC IN, USB input terminal, Antenna input
	Output	2nd AUDIO OUT, VIDEO OUT
	Others	CD changer
FM/AM TUNER		
Frequency Range	FM	87.5 MHz to 108.0 MHz
	AM	531 kHz to 1 602 kHz

FM Tuner	Usable Sensitivity	11.3 dBf (1.0 μ V/75 Ω)
	50 dB Quieting Sensitivity	16.3 dBf (1.8 μ V/75 Ω)
	Alternate Channel Selectivity (400 kHz)	65 dB
	Frequency Response	40 Hz to 15 000 Hz
	Stereo Separation	35 dB
AM Tuner	Sensitivity/Selectivity	20 μ V/35 dB
DVD/CD		
Signal Detection System		Non-contact optical pickup (semiconductor laser)
Frequency Response	DVD, fs=48 kHz	16 Hz to 22 000 Hz
	DVD, fs=192 kHz	16 Hz to 88 000 Hz
	VCD/CD	16 Hz to 20 000 Hz
Dynamic Range		93 dB
Signal-to-Noise Ratio		95 dB
Wow and Flutter		Less than measurable limit
MONITOR		
Screen Size		3.5 inch wide liquid crystal display
Number of Pixel		211 200 pixels: 960 (horizontal) \times 220 (vertical)
Drive Method		TFT (Thin Film Transistor) active matrix format
Color System		NTSC/PAL
Aspect Ratio		16:9 (wide)
Allowable Storage Temperature		-10°C to +60°C
Allowable Operating Temperature		0°C to +40°C
USB		
USB Standards		USB 1.1
Data Transfer Rate		Full Speed: Maximum 12 Mbytes Low Speed: Maximum 1.5 Mbytes
Compatible Device		Mass storage class
Compatible File System		FAT 32/16/12
Max. Current		Less than 500 mA/5 V
BLUETOOTH		
Version		Bluetooth 1.2 certified
Output Power		+4 dBm Max. (Power class 2)
Service Area		Within 10 m
Profile		HSP (Headset Profile) HFP (Hands-Free Profile) A2DP (Advanced Audio Distribution Profile) AVRCP (Audio/Video Remote Control Profile) SPP (Serial Port Profile) OPP (Object Push Profile)
GENERAL		
Power Requirement	Operating Voltage	DC 14.4 V (11 V to 16 V allowance)
Grounding System		Negative ground
Allowable Operating Temperature		0°C to +40°C
Dimensions (W \times H \times D)	Installation Size (approx.)	182 mm \times 52 mm \times 160 mm
	Panel Size (approx.)	188 mm \times 58 mm \times 12 mm
Mass (approx.)		2.1 kg (excluding accessories)

Design and specifications are subject to change without notice.

KD-AVX33A


AMPLIFIER		
Maximum Power Output	Front/Rear	50 W per channel
Continuous Power Output (RMS)	Front/Rear	20 W per channel into 4 Ω , 40 Hz to 20 000 Hz at no more than 0.8% total harmonic distortion.
Signal-to-Noise Ratio		70 dB
Load Impedance		4 Ω (4 Ω to 8 Ω allowance)
Equalizer Control Range	Frequencies	60 Hz, 150 Hz, 400 Hz, 1 kHz, 2.5 kHz, 6.3 kHz, 15 kHz
	Level	\pm 10 dB


Audio Output Level LINE OUT (FRONT/REAR)/CENTER OUT/SUBWOOFER	Line-Out Level/Impedance	5.0 V/20 k Ω load (full scale)
	Output Impedance	1 k Ω
Color System		NTSC/PAL
Video Output (composite)		1 V _{p-p} /75 Ω
Other Terminals	Input	LINE IN, VIDEO IN, MIC IN, USB input terminal, Antenna input
	Output	2nd AUDIO OUT, VIDEO OUT
	Others	CD changer
FM/AM TUNER		
Frequency Range	FM	87.5 MHz to 108.0 MHz
	AM	531 kHz to 1 602 kHz
FM Tuner	Usable Sensitivity	11.3 dBf (1.0 μ V/75 Ω)
	50 dB Quieting Sensitivity	16.3 dBf (1.8 μ V/75 Ω)
	Alternate Channel Selectivity (400 kHz)	65 dB
	Frequency Response	40 Hz to 15 000 Hz
	Stereo Separation	35 dB
AM Tuner	Sensitivity/Selectivity	20 μ V/35 dB
DVD/CD		
Signal Detection System		Non-contact optical pickup (semiconductor laser)
Frequency Response	DVD, fs=48 kHz	16 Hz to 22 000 Hz
	DVD, fs=192 kHz	16 Hz to 88 000 Hz
	VCD/CD	16 Hz to 20 000 Hz
Dynamic Range		93 dB
Signal-to-Noise Ratio		95 dB
Wow and Flutter		Less than measurable limit
MONITOR		
Screen Size		3.5 inch wide liquid crystal display
Number of Pixel		211 200 pixels: 960 (horizontal) \times 220 (vertical)
Drive Method		TFT (Thin Film Transistor) active matrix format
Color System		NTSC/PAL
Aspect Ratio		16:9 (wide)
Allowable Storage Temperature		-10°C to +60°C
Allowable Operating Temperature		0°C to +40°C
USB		
USB Standards		USB 1.1
Data Transfer Rate		Full Speed: Maximum 12 Mbytes Low Speed: Maximum 1.5 Mbytes
Compatible Device		Mass storage class
Compatible File System		FAT 32/16/12
Max. Current		Less than 500 mA/5 V
BLUETOOTH		
Version		Bluetooth 1.2 certified
Output Power		+4 dBm Max. (Power class 2)
Service Area		Within 10 m
Profile		HSP (Headset Profile) HFP (Hands-Free Profile) A2DP (Advanced Audio Distribution Profile) AVRCP (Audio/Video Remote Control Profile) SPP (Serial Port Profile) OPP (Object Push Profile)
GENERAL		
Power Requirement	Operating Voltage	DC 14.4 V (11 V to 16 V allowance)
Grounding System		Negative ground
Allowable Operating Temperature		0°C to +40°C
Dimensions (W \times H \times D)	Installation Size (approx.)	182 mm \times 52 mm \times 160 mm
	Panel Size (approx.)	188 mm \times 58 mm \times 12 mm
Mass (approx.)		2.1 kg (excluding accessories)

Design and specifications are subject to change without notice.

SECTION 1 PRECAUTION

1.1 Safety Precautions

 **CAUTION** Burrs formed during molding may be left over on some parts of the chassis. Therefore, pay attention to such burrs in the case of performing repair of this system.

 **CAUTION** Please use enough caution not to see the beam directly or touch it in case of an adjustment or operation check.

1.2 Preventing static electricity

Electrostatic discharge (ESD), which occurs when static electricity stored in the body, fabric, etc. is discharged, can destroy the laser diode in the traverse unit (optical pickup). Take care to prevent this when performing repairs.

1.2.1 Grounding to prevent damage by static electricity

Static electricity in the work area can destroy the optical pickup (laser diode) in devices such as laser products.

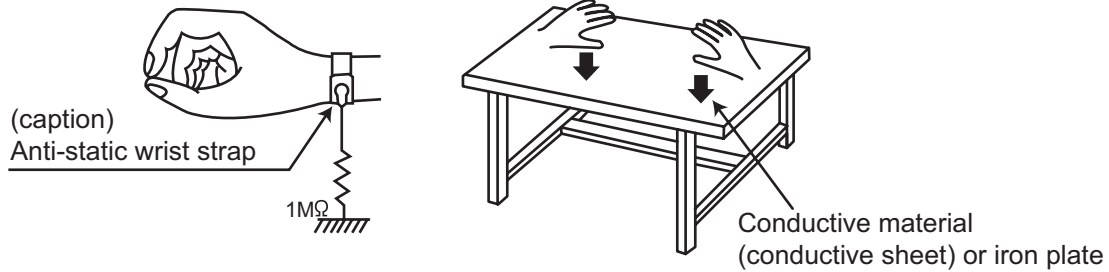
Be careful to use proper grounding in the area where repairs are being performed.

(1) Ground the workbench

Ground the workbench by laying conductive material (such as a conductive sheet) or an iron plate over it before placing the traverse unit (optical pickup) on it.

(2) Ground yourself

Use an anti-static wrist strap to release any static electricity built up in your body.



(3) Handling the optical pickup

- In order to maintain quality during transport and before installation, both sides of the laser diode on the replacement optical pickup are shorted. After replacement, return the shorted parts to their original condition. (Refer to the text.)
- Do not use a tester to check the condition of the laser diode in the optical pickup. The tester's internal power source can easily destroy the laser diode.

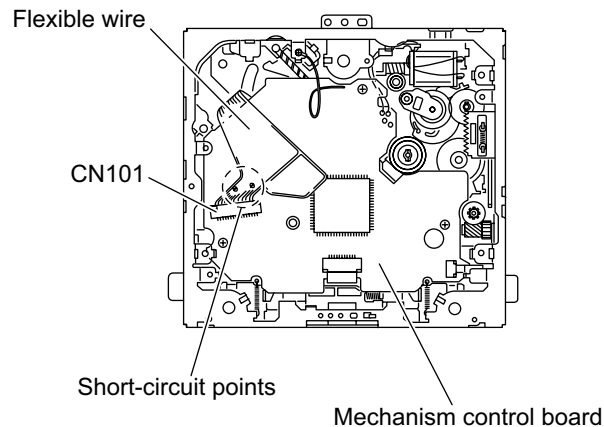
1.3 Handling the traverse unit (optical pickup)

- (1) Do not subject the traverse unit (optical pickup) to strong shocks, as it is a sensitive, complex unit.
- (2) Cut off the shorted part of the flexible cable using nippers, etc. after replacing the optical pickup. For specific details, refer to the replacement procedure in the text. Remove the anti-static pin when replacing the traverse unit. Be careful not to take too long a time when attaching it to the connector.
- (3) Handle the flexible cable carefully as it may break when subjected to strong force.
- (4) It is not possible to adjust the semi-fixed resistor that adjusts the laser power. Do not turn it.

1.4 Attention when traverse unit is decomposed

***Please refer to "Disassembly method" in the text for the pickup unit.**

- Apply solder to the short land before the card wire is disconnected from the connector on the pickup unit. (If the card wire is disconnected without applying solder, the pickup may be destroyed by static electricity.)
- In the assembly, be sure to remove solder from the short land after connecting the card wire.



1.5 Important for laser products

when open. Do not stare into beam.
(Others) Visible and/or invisible class 1M laser radiation when open. Do not view directly with optical instruments.

3.CAUTION : Visible and/or invisible laser radiation when open and inter lock failed or defeated. Avoid direct exposure to beam.

4.CAUTION : This laser product uses visible and/or invisible laser radiation and is equipped with safety switches which prevent emission of radiation when the drawer is open and the safety interlocks have failed or are defeated. It is dangerous to defeat the safety switches.

procedures other than those specified here in may result in hazardous radiation exposure.

CAUTION Please use enough caution not to see the beam directly or touch it in case of an adjustment or operation check.

(For U.S.A.)

CAUTION : Visible and/or invisible class II laser radiation when open. Do not stare into beam.
(Others)

CAUTION : Visible and/or invisible class 1M laser radiation when open. Do not view directly with optical instruments

ACHTUNG: Sichtbare und/oder unsichtbare Laserstrahlung der Klasse 1M bei offenen Abdeckungen. Nicht direkt mit optischen Instrumenten betrachten.

ATTENTION: Rayonnement laser visible et/ou invisible de classe 1M une fois ouvert. Ne pas regarder directement avec des instruments optiques.

VOORZICHTIG: Zichtbare en/of onzichtbare klasse 1M laserstralen indien geopend. Bekijk niet direct met optische instrumenten.

ATTENZIONE: Radiazione laser in classe 1M visibile e/o invisibile quando aperto. Non osservare direttamente con strumenti ottici.

WARNING: Synlig och/eller osynlig laserstrålning, klass 1M, när denna del är öppnad. Betrakta ej strålen med optiska instrument.

VARO!: Avattaessa olet alttiina näkyvälle ja/tai näkymättömälle luokan 1M lasersäteilylle. Älä tarkastele sitä optisen laitteen läpi.

ADVASEL: Synlig og/eller usynlig klasse 1M-laserstråling ved åbning. Se ikke direkte med optiske instrumenter.

AVISO: Radiación láser de clase 1M visible y/o invisible cuando está abierto. No mirar directamente con instrumental óptico.

PRECAUÇÃO: Radiação laser de classe 1M visível e/ou invisível quando aberto. Não olhe diretamente com instrumentos ópticos.

PRECAUÇÃO: Radiação laser de classe 1M visível e/ou invisível quando aberto. Não olhe diretamente com instrumentos ópticos.

ПРЕДУПРЕЖДЕНИЕ: В открытом состоянии происходит видимое и/или невидимое излучение лазера класса 1M. Не смотрите непосредственно в оптические инструменты.

UWAGA: Otwarcie spowoduje narażenie na widzialne i/lub niewidzialne promieniowanie lasera klasy 1M. Nie patrzeć bezpośrednio w przyrządy optyczne.

UPOZORNĚNÍ: Při otevření vydává viditelné popř. neviditelné laserové ozáření třídy 1M. Nedívejte se do otvoru přímo s optickými nástroji.

FIGYELMEZTETÉS: Látható és/vagy láthatatlan 1M osztályú sugárzás nyitott állapotban. Ne nézze közvetlenül optikai műszerekkel.

注意: 打開蓋板可能會產生可見或不可見的 1M 級輻射。不要使用光學儀器直接進行窺視。

注意: 打开盖板可能会产生可见或不可见的 1M 级辐射。不要使用光学仪器直接进行窥视。

تنبيه: يوجد إشعاع ليزري مرئي و/أو غير مرئي من الفئة 1M عندما يكون الجهاز مفتوحاً. تجنب النظر مباشرة داخل الجهاز باستخدام أدوات بصرية.

احتياطات: هنگامی که باز گردد، تشعشع مرئی و یا نامرئی کلاس 1M لیزر وجود دارد. با لوازم چشمی مستقیماً به آن نگاه نکنید.

주의: 개방하면 가시 및/또는 비가시 클래스 1M 레이저 방사선이 나옵니다. 광학 기구로 직접 들여다보지 마십시오.

REPRODUCTION AND POSITION OF LABELS and PRINT WARNING LABEL and PRINT



CAUTION VISIBLE AND/OR INVISIBLE CLASS 1M LASER RADIATION WHEN OPEN. DO NOT VIEW DIRECTLY WITH OPTICAL INSTRUMENTS. IEC60825-1:2001 (ENG)	ATTENTION RAYONNEMENT LASER VISIBLE ET/OU INVISIBLE DE CLASSE 1M UNE FOIS OUVERT. NE PAS REGARDER DIRECTEMENT AVEC DES INSTRUMENTS OPTIQUES. (FRA)	AVISO RADIACIÓN LÁSER DE CLASE 1M VISIBLE Y/O INVISIBLE CUANDO ESTÁ ABIERTO. NO MIRAR DIRECTAMENTE CON INSTRUMENTAL ÓPTICO. (ESP)	WARNING SYNLIG OCH/ELLER OSYNLIG LASERSTRÅLNING, KLASS 1M, NÄR DENNA DEL ÄR ÖPPNAD. BETRAKTA EJ STRÅLEN MED OPTISKA INSTRUMENT. (SWE)	注意 ここに書くと可視 及び/または不可視 のクラス 1M レーザー放射が 出ます。 光学装置で直接 覗かないでください。 (JPN)	CAUTION VISIBLE AND/OR INVISIBLE CLASS II LASER RADIATION WHEN OPEN. DO NOT STARE INTO BEAM. FDA 21 CFR (ENG) LV44603-003A
--	--	---	--	--	---

SECTION 2
SPECIFIC SERVICE INSTRUCTIONS

This service manual does not describe SPECIFIC SERVICE INSTRUCTIONS.

SECTION 3 DISASSEMBLY

3.1 Main body

3.1.1 Removing the Heat sink (See Fig.1)

- (1) Remove the two screws **A** and two screws **B** attaching the Heat sink.

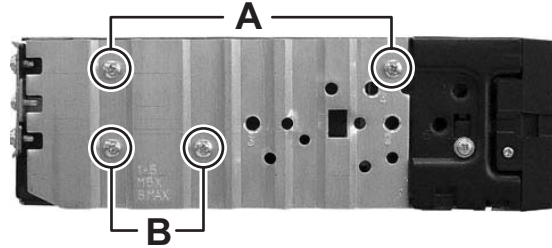


Fig.1

3.1.2 Removing the Top chassis assembly (See Fig.2 to 4)

- (1) From the top side of the main body, remove the two screws **C** attaching the both side of Top chassis assembly. (See Fig.2)
- (2) From the bottom side of the main body, remove the two screws **D** attaching the Top chassis assembly. (See Fig.3)
- (3) From the back side of the main body, remove the four screws **E** attaching the Top chassis assembly. (See Fig.4)

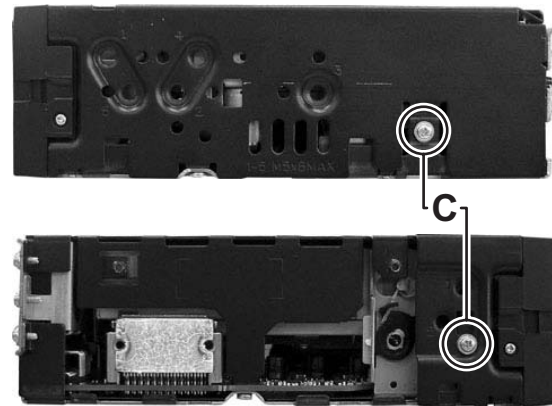


Fig.2

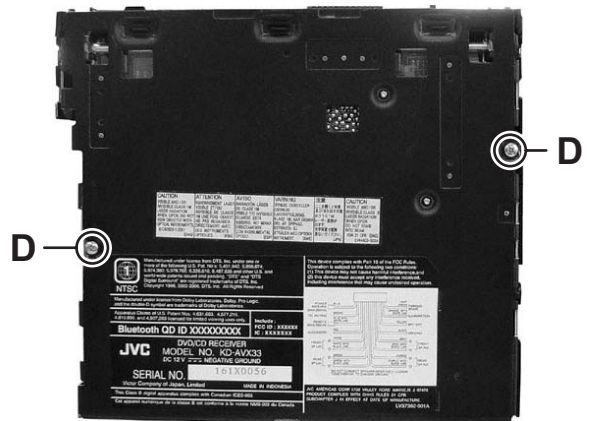


Fig.3

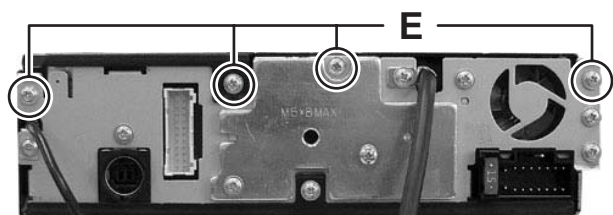


Fig.4

3.1.3 Removing the Main board assembly (See Fig.5 and 6)

- (1) Remove the two screws **F** attaching the Rear bracket assembly. (See Fig.5)
- (2) Disconnect the connector wire from Gear bracket unit connected to connector **CN891** of the main board assembly. (See Fig.6)
- (3) Disconnect the connector wire from motor connected to connector **CN881** of the Main board assembly. (See Fig.6)
- (4) Disconnect the card wire from Front chassis assembly connected to connector **CN962** of the Main board assembly. (See Fig.6)
- (5) Remove the two screws **G** attaching the Main board assembly. (See Fig.6)
- (6) Slide the Main board assembly to rear side and lift up it, then take out the Main board assembly.(See Fig.6)

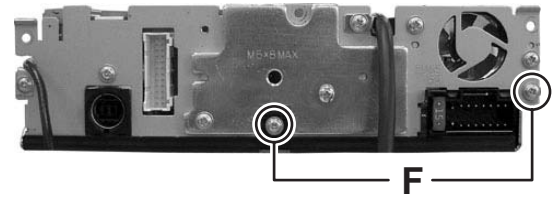


Fig.5

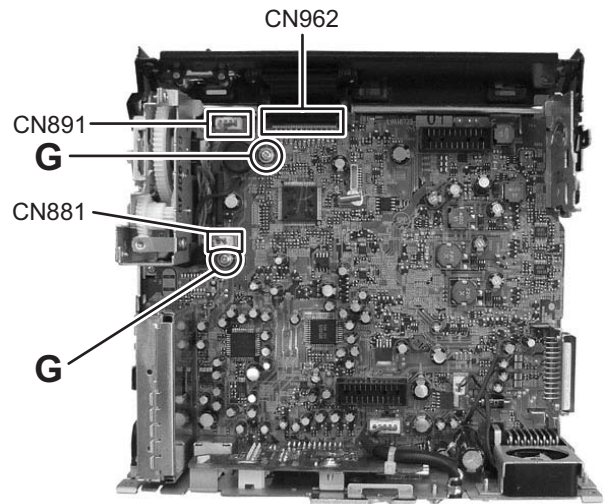


Fig.6

3.1.4 Removing the DVD mechanism assembly (See Fig.7)

- (1) Remove the three screws **H** attaching the DVD mechanism assembly.

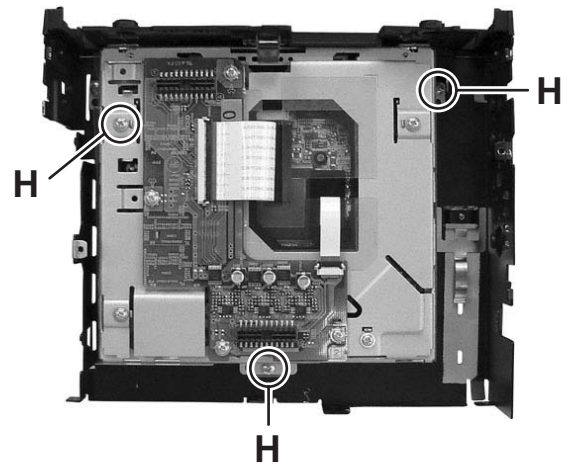


Fig.7

3.1.5 Removing the Connection board assembly (See Fig.8)

- (1) Disconnect the card wire from DVD mechanism assembly connected to connector [CN965](#) and [CN969](#) of the Connection board assembly.
- (2) Remove the four screws **J** attaching the Connection board assembly.

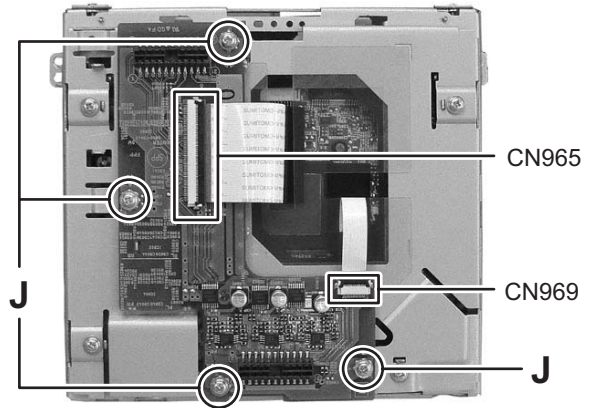


Fig.8

3.1.6 Removing the Rear cover (See Fig.9)

- (1) Remove the nine screws **K** attaching the Rear cover.

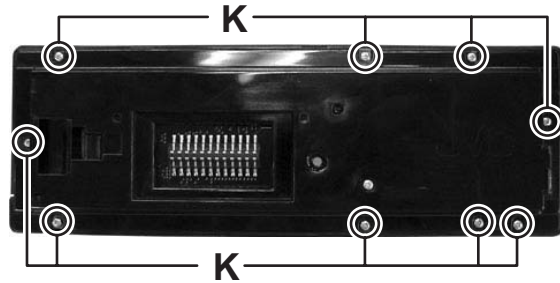


Fig.9

3.1.7 Removing the Panel-A control board assembly (See Fig.10)

- (1) Remove the one screw **L** attaching the Panel-A control board assembly.



Fig.10

3.2 DVD mechanism assembly

3.2.1 Removing the mechanism control board (See Fig.1)

Caution:

Before disconnecting the flexible wire extending from the DVD pickup, solder the short-circuit point on the flexible wire using a grounding soldering iron. If you do not follow this instruction, the DVD pickup may be damaged.

- (1) Turn over the body, and solder the short-circuit points on the flexible wire extending from the DVD pickup.
- (2) Disconnect the flexible wire from connector [CN101](#) on the mechanism control board.
- (3) Disconnect the card wire from connector [CN201](#) on the mechanism control board.
- (4) Disconnect the flexible wire from connector [CN202](#) on the mechanism control board.
- (5) Unsolder two soldered points **a** on the mechanism control board and remove the wire extending from the feed motor.
- (6) Remove the screw **A** attaching the lug wire.
- (7) Remove the two screws **B** and screw **C** attaching the mechanism control board.

Caution:

- As the flexible wire to be connected to [CN101](#), make sure to attach it to the mechanism control board using a double tape.
- After reassembling, unsolder the short-circuit points.

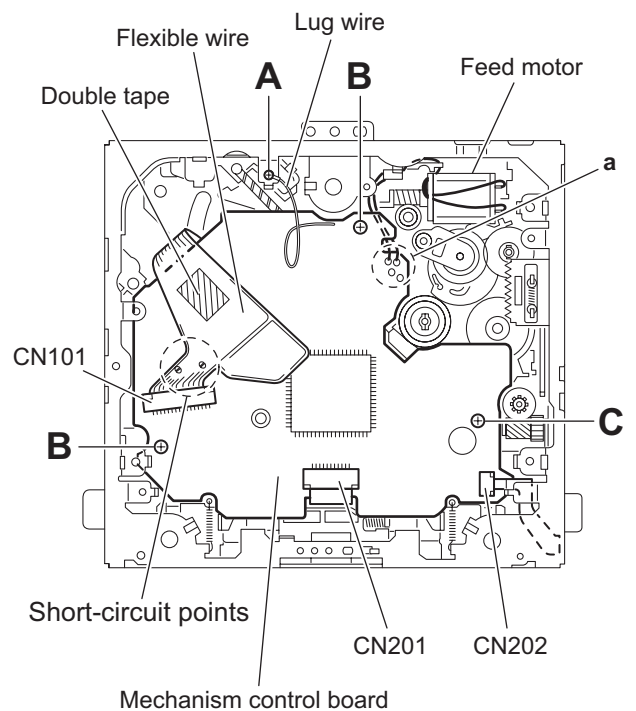


Fig.1

3.2.2 Removing the top cover (See Fig.2)

- (1) Remove the two screws **D** attaching the top cover on the back of the body.
- (2) Remove the top cover upward.

Reference:

When reassembling, set part **b** of the top cover under the bending part **c** of the chassis frame.

3.2.3 Removing the mechanism section (See Fig.2 to 4)

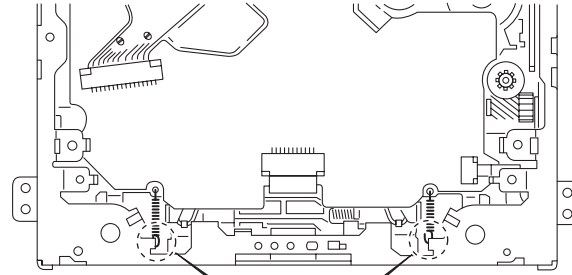
- Remove the top cover.
 - (1) From the bottom of the body, remove the screw **E** attaching the lug wire. (See Fig.2.)
 - (2) Remove the two screws **F** attaching the right and left stoppers on the front side. (See Fig.2.)
 - (3) Remove the two floating springs on the bottom of the body. (See Fig.3.)
 - (4) Move the mechanism section upward and remove from the chassis frame.

The three damper springs come off from the dampers.

 (See Fig.4.)

Caution:

- When reassembling, reattach the damper spring to the damper respectively and insert the three shafts on the bottom of the mechanism to the dampers.
- Before inserting the shaft to the dampers, apply IPA to the hole of damper.



Floating spring

Fig.3

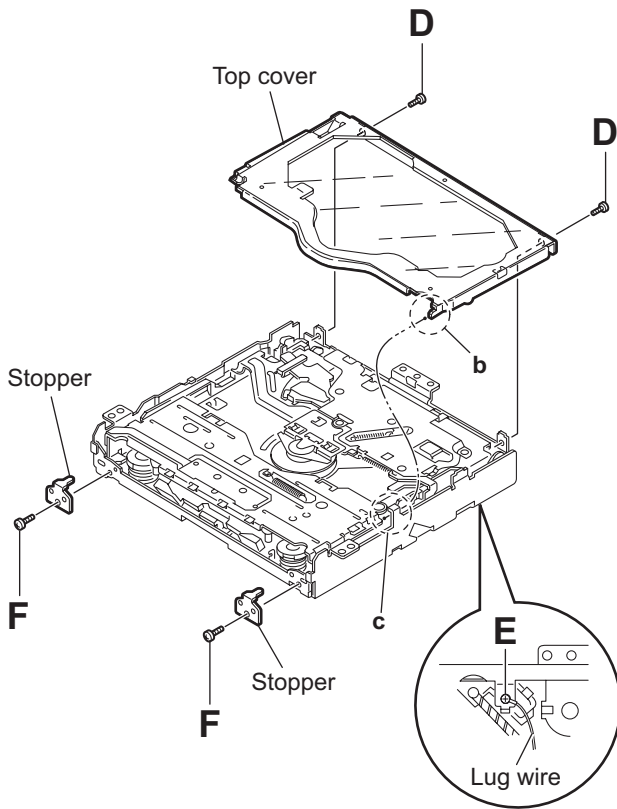


Fig.2

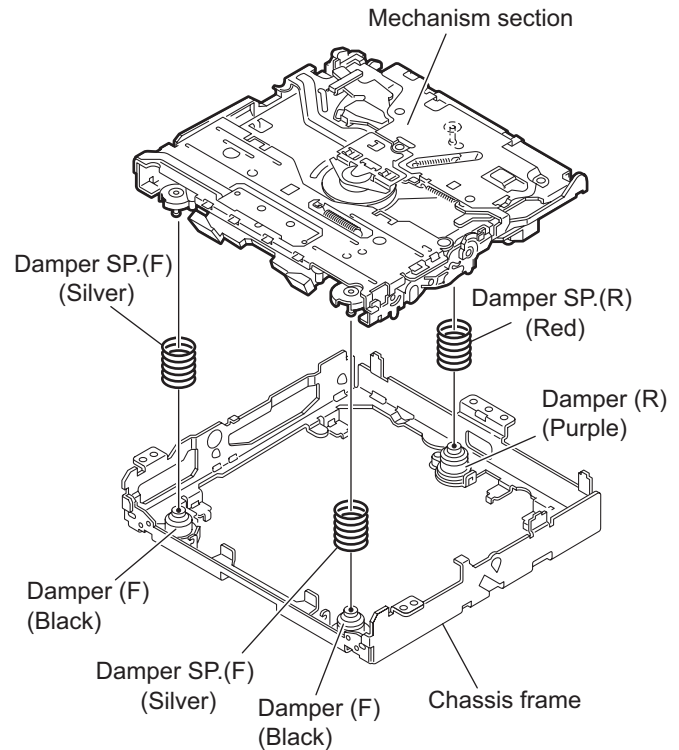


Fig.4

3.2.4 Removing the clamber unit (See Fig.5 to 7)

- Remove the top cover and the mechanism section.
 - Remove the clamber2 spring on the bottom of the mechanism section. (See Figs.5.and 6.)
 - Release the part **d** of the clamber spring from the bending part of the chassis base assembly. (See Fig.7.)
 - Move the clamber unit in the direction of the arrow and turn. Release the two joints **e** and **f**, then remove the clamber unit upward. (See Fig.6.)

3.2.5 Reattaching the clamber unit (See Fig.5 to 9)

- Attach the clamber spring to the clamber unit. (See Fig.8.)
- Move the clamber unit to set the side joints **e** and **f** to each boss of the chassis base assembly. Make sure that part **g** is inserted to the notch of the chassis base assembly. (See Figs.5 and 9.)
- Move the part **d** of the clamber spring to the outside of the bending part of the chassis base assembly. (See Fig.7.)
- Attach the clamber2 spring to the chassis base assembly. (See Figs.5 and 6.)

Caution:

When reattaching, temporarily hook the end of the clamber spring as shown in the figure to make the work easy. (See Fig.8.)

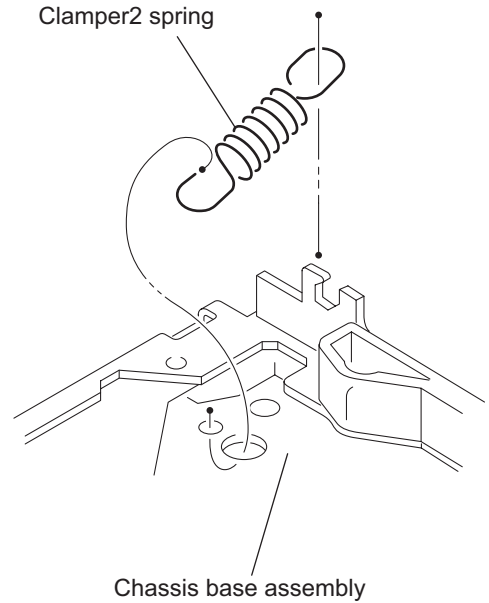


Fig.6

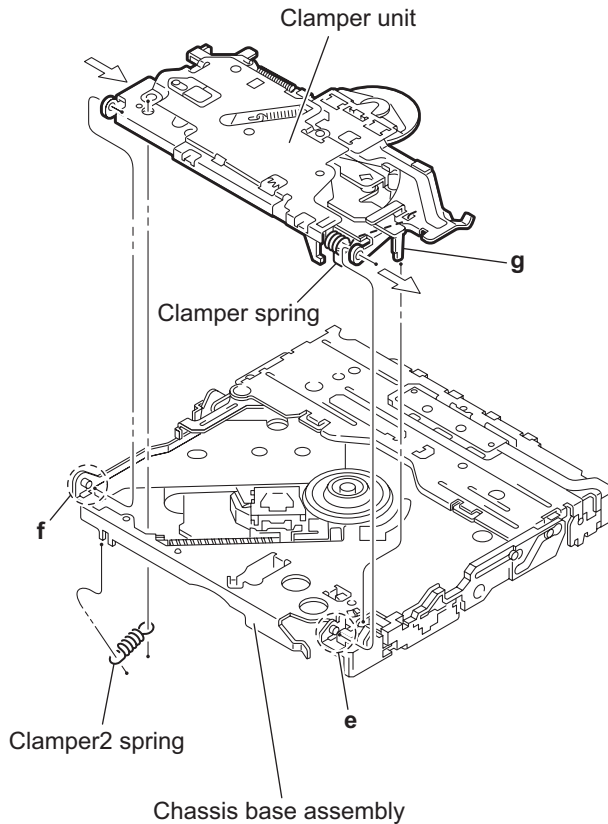


Fig.5

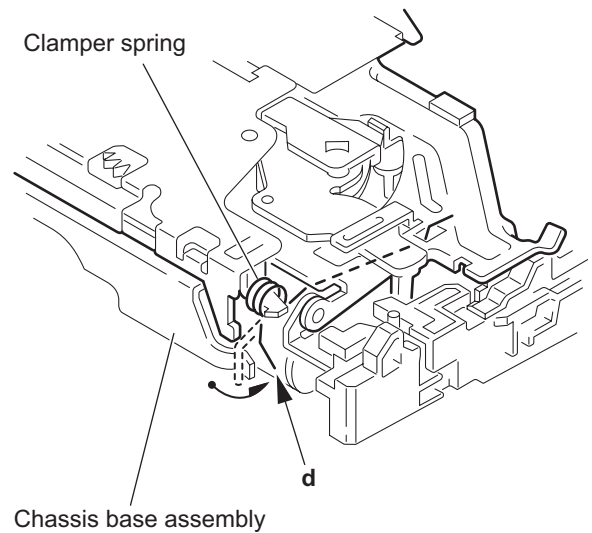


Fig.7

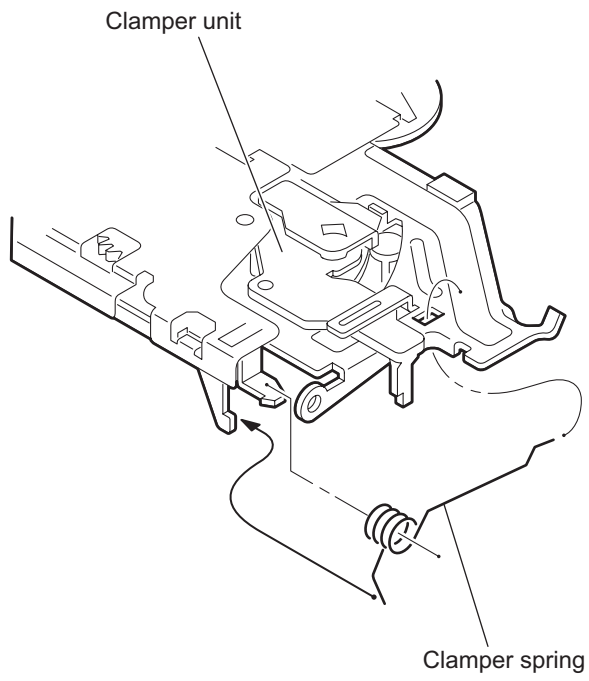


Fig.8

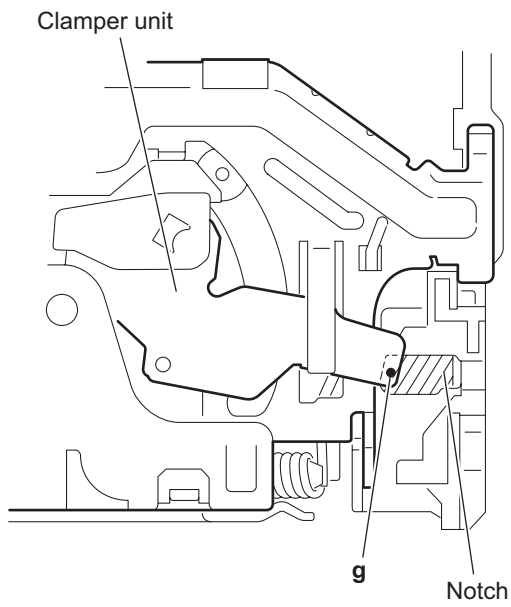


Fig.9

3.2.6 Removing the front unit (See Fig.10 to 12)

- Remove the top cover and the mechanism section.
 - (1) Disconnect the flexible wire from connector [CN202](#) on the mechanism control board at the bottom of the body. (See Fig.10.)
 - (2) Remove the screw **G** attaching the front unit on the top of the body. (See Fig.11.)
 - (3) Move the front unit toward the front to release joint **h**, and release two joints **i** and **j** on the right side of the chassis base assembly. Then remove the front unit upward. (See Figs.11 and 12.)
 - (4) Remove the two screws **H** attaching the switch board. (See Fig.12.)

Reference:

You can remove the switch board only without removing the front unit.

Caution:

When reassembling, attach the flexible wire extending from the switch board using the double tape. (See Figs.10 and 12.)

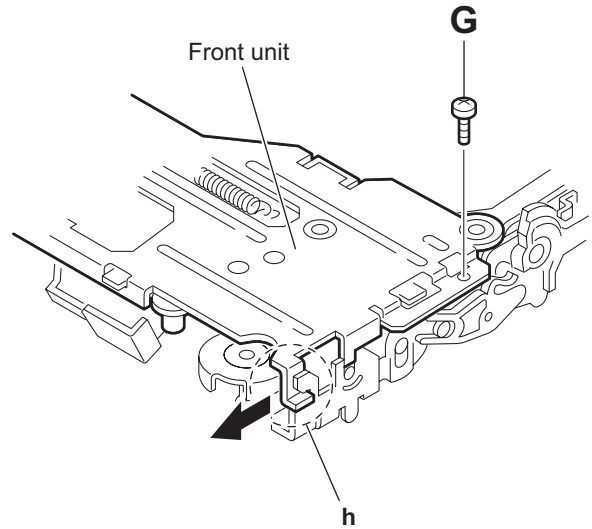


Fig.11

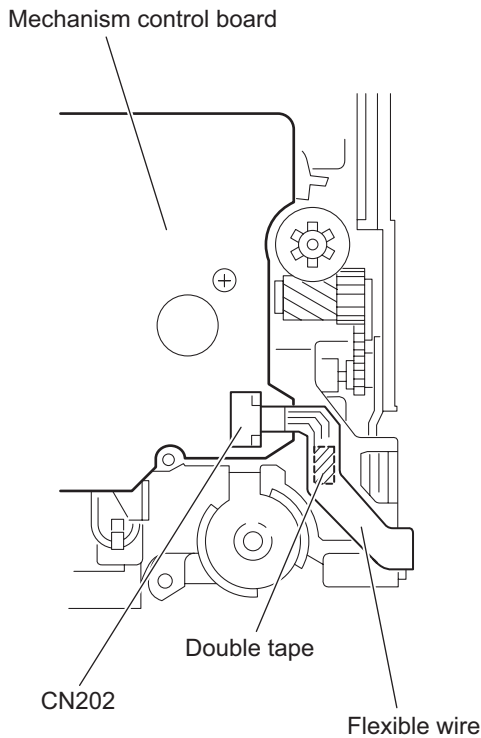


Fig.10

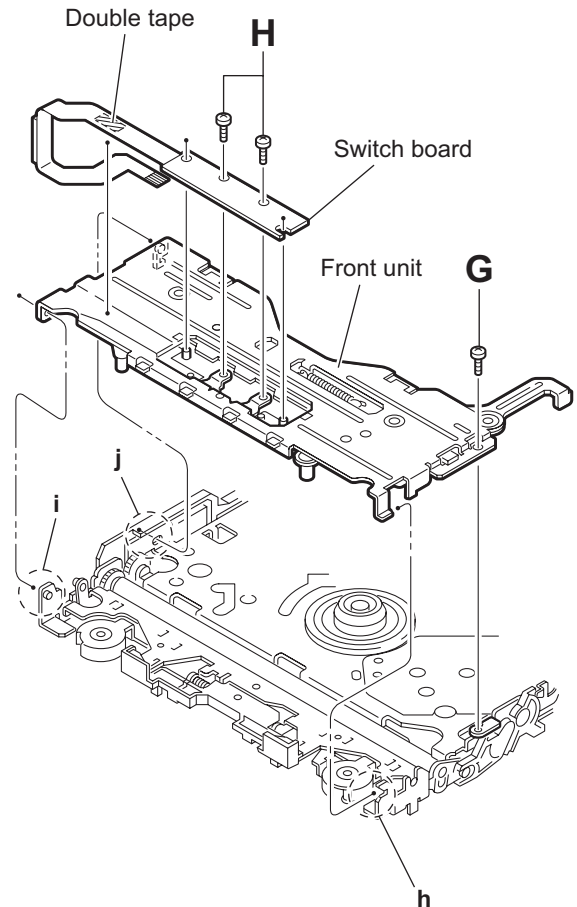


Fig.12

3.2.7 Removing the loading arm assembly (See Fig.13 , 14)

- Remove the top cover, the mechanism section and the front unit.
 - From the top of the body, move the loading arm assembly from the front side upward, and release the bosses from the right and left joints **k** and **m** of the chassis base assembly.
 - Release the boss from notch **n** of the connect arm on the right side of the body, and release the boss from notch **p** of the side cam assembly on the left side.

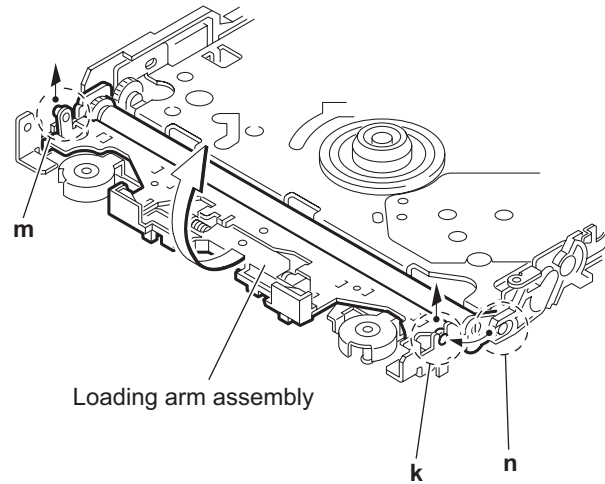


Fig.13

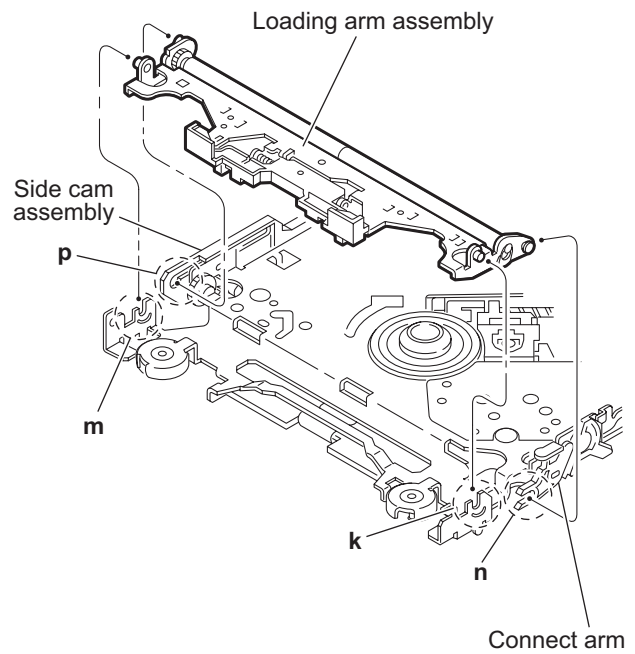


Fig.14

3.2.8 Removing the rod (L)(R)/roller assembly (See Fig.15 and 16)

- Remove the top cover, the mechanism section, the front unit and the loading arm assembly.
 - Release the rod (L) and (R) from the joints **q** at the bottom of the loading arm assembly (See Fig.15.)
 - Remove the roller assembly from the loading arm assembly. (See Fig.16.)
 - Remove the two collars and washer from the roller assembly. (See Fig.16.)

Caution:

After attaching the loading arm assembly to the roller assembly, attach the rod (L) and (R). Attach the rods to the right and left collars of the roller. (See Fig.15.)
When reattaching the rod (L) and (R) to the loading arm assembly, engage each joint as shown in Fig.15. As joints **q** of the rod (L), let the rod through **q** before reattaching it.

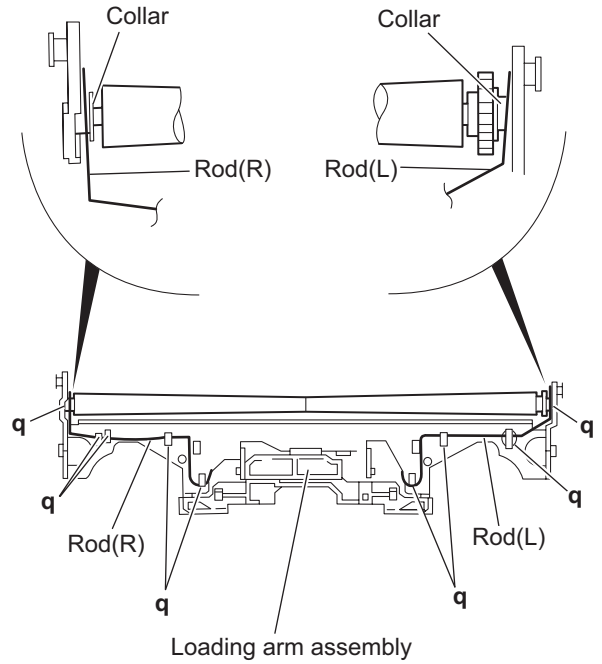


Fig.15

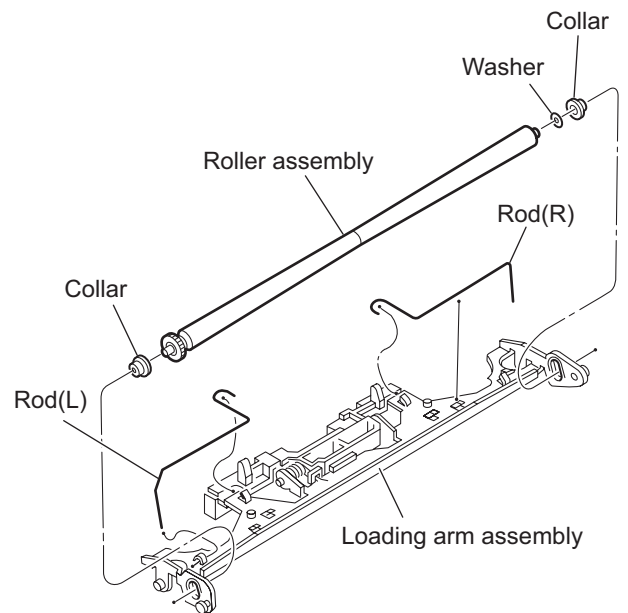


Fig.16

3.2.9 Removing the DVD pickup assembly (See Fig.17 to 19)

- Remove the mechanism control board.
 - From the bottom of the body, turn the feed gear in the direction of the arrow to move the DVD pickup outwards. (See Fig.17.)
 - Remove the screw **J** attaching the thrust spring. (See Fig.17.)
 - Remove the DVD pickup assembly upward on the L.S.gear side and release from sub shaft at joint **r**. Move the lead screw of the DVD pickup assembly in the direction of the arrow to release from joint **s**. (See Fig.18.)

Caution:

- When releasing the lead screw at joint **s**, the L.S.collar comes off at the end of the lead screw. When reassembling, reattach the L.S.collar to the lead screw and engage joint **s**. (See Fig.18.)
 - When reattaching the L.S.collar, reattach it to the point **s** of the lead screw, and to the rod (M). Make sure that the L.S.collar is set on the rod (M) spring. (See Fig.18.)
- Remove the screw **K** attaching the rack spring/ rack plate on the DVD pickup. (See Fig.19.)
 - Pull out the lead screw. (See Fig.19.)

Caution:

Perform adjustment after replacing the pickup.

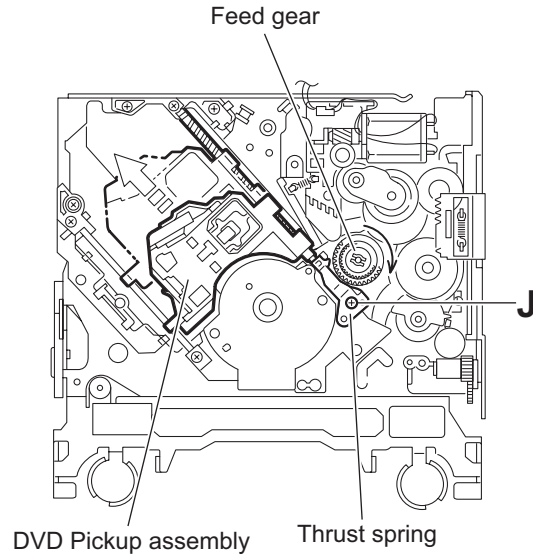


Fig.17

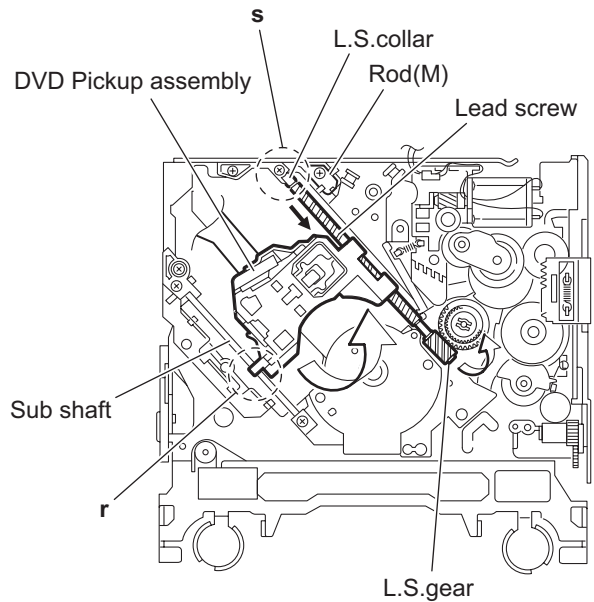


Fig.18

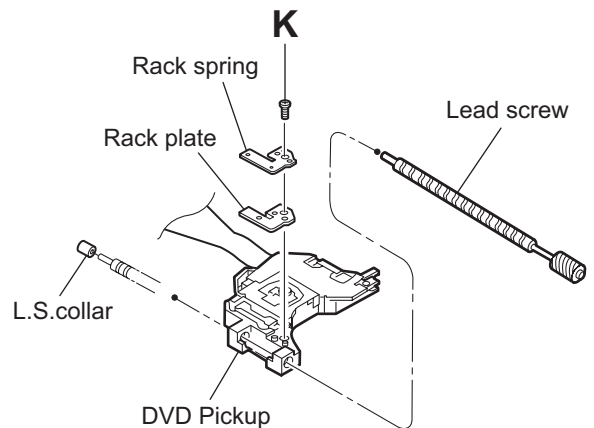


Fig.19

3.2.10 Removing the spindle motor (See Fig.20)

- Remove the mechanism control board.
Remove the two screws **L** attaching the spindle motor on the bottom of the body.

Caution:

Perform adjustment when reattaching the spindle motor.

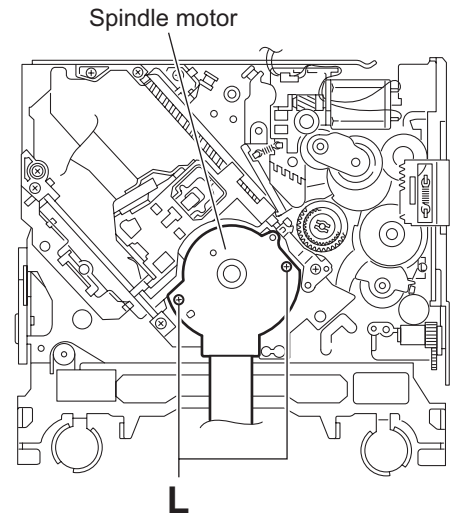


Fig.20

3.2.11 Removing the feed motor assembly (See Fig.21 and 22)

- Remove the mechanism control board.
 - Remove the feed TRI. spring on the bottom of the body. (See Fig.21.)
 - Remove the two screws **M** attaching the feed motor assembly. (See Fig.21.)
 - Remove the slit washer from the motor H. assembly and pull out the worm wheel. (See Fig.22.)

Remove the two screws **N** attaching the feed motor. (See Fig.22.)

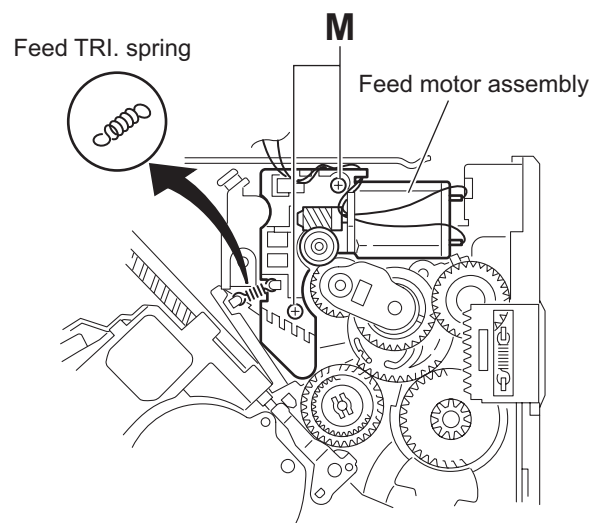


Fig.21

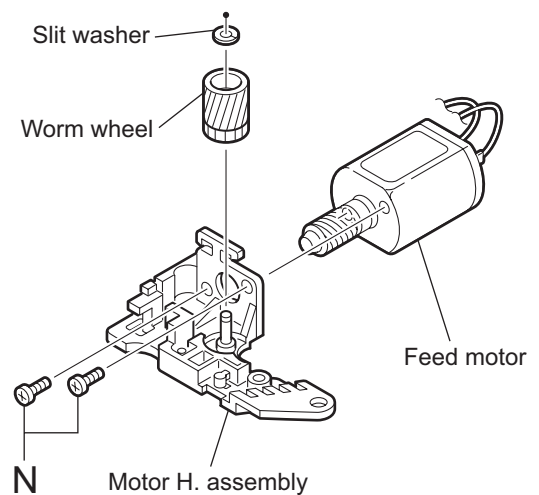


Fig.22

SECTION 4 ADJUSTMENT

4.1 Test instruments required for adjustment

- (1) Digital oscilloscope (100MHz)
- (2) Jitter meter
- (3) Digital tester
- (4) Electric voltmeter
- (5) Tracking offset meter
- (6) Test Disc : VT501 or VT502
- (7) Extension studs : STDV001-3P
- (8) Extension cable : EXTSH002-22P ×2

4.2 Standard measuring conditions

Power supply voltage : DC14.4V(11 to 16V)
Load impedance : 4 Ω (2 Speakers connection)
Line Output : 20k Ω

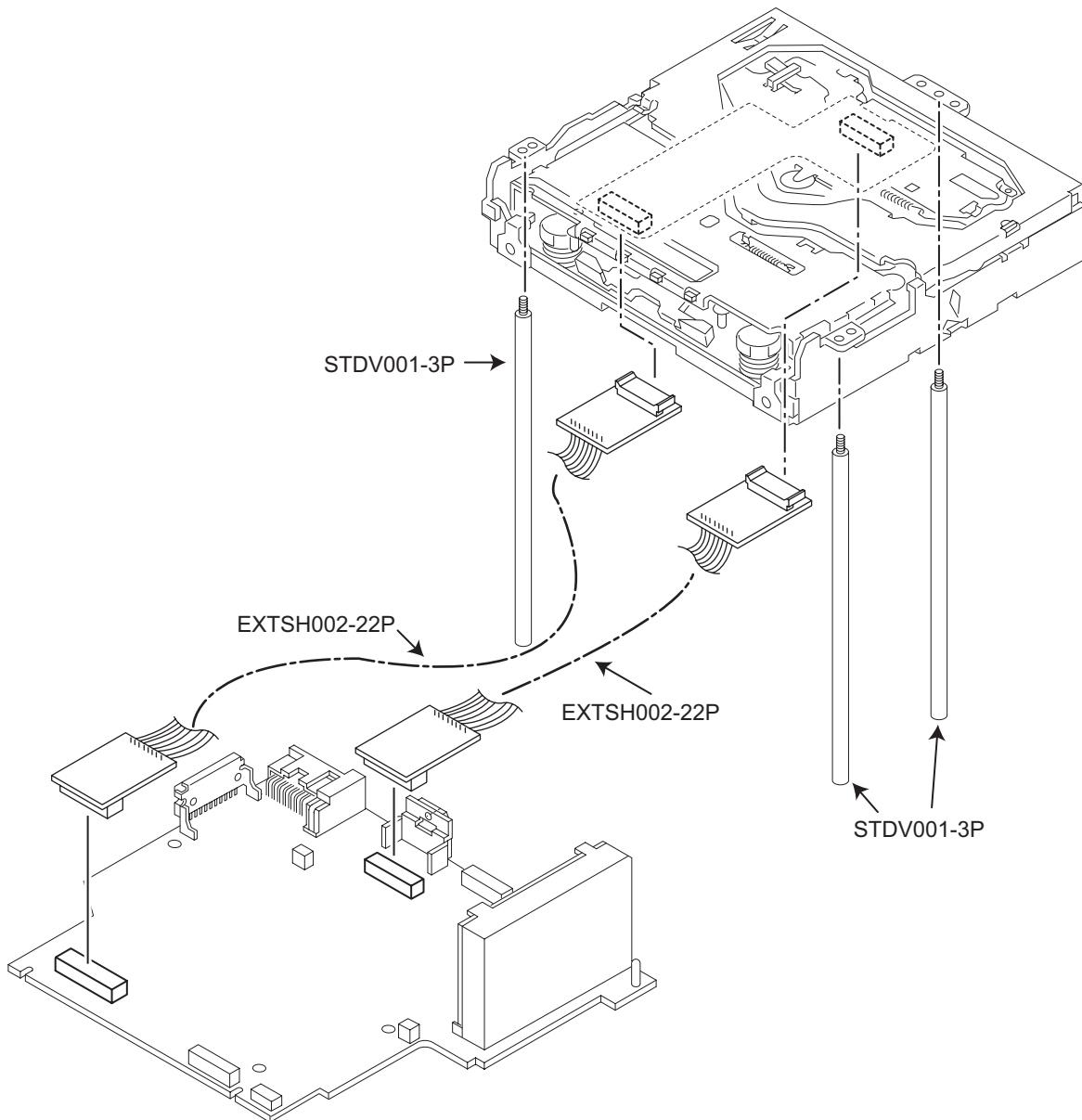
Caution:

Be sure to attach the heat sink and rear bracket onto the power amplifier IC and regulator IC respectively, before supply the power. If voltage is applied without attaching these parts, the power amplifier IC and regulator IC will be destroyed by heat.

4.3 Connection method

Connection procedure

- (1) Attach the front chassis assembly to the main board.
- (2) Attach the heat sink and rear bracket to the main board.
- (3) Attach the extension studs to the DVD mechanism assembly.
- (4) Connect the DVD mechanism assembly and the main board with a extension cable.



4.4 Service mode

4.4.1 Service mode 1 (Indication of a service mode 1 is nothing.)

Keep this state more 2 seconds while continuing pressing the [STANDBY/ON ATTENUATOR] button and [EJECT] button sequentially.

Screen indication ↓

NO EJECT? *1
EMERGENCY EJECT? *2

Exchanging it operate a menu of a service mode with the [UP] button and [DOWN] button. Operate choice of a menu with a [ENT] button.
*1 : When an [ENT] button is pushed in NO EJECT indication, it is set by an EJECT prohibition mode.
When an [ENT] button is pushed in EJECT OK indication, it is set by a normal mode.
*2 : Forced EJECT movement
A screen becomes normal indication after an ENT button was pushed.

4.4.2 Service mode 2

Keep this state more 2 seconds while continuing pressing the [MENU] button, [VOLUME-] button and [ENT] button sequentially.

Screen indication ↓

SERVICE MODE 2
INITIALIZE ALL
INITIALIZE
INITIALIZE DVD
INITIALIZE BT

Exchanging it operate a menu of a service mode with the [UP] button and [DOWN] button. Operate choice of a menu with a [ENT] button.

INITIALIZE ALL

NOW ...
INITIALIZE ALL

INITIALIZE ALL
OK **

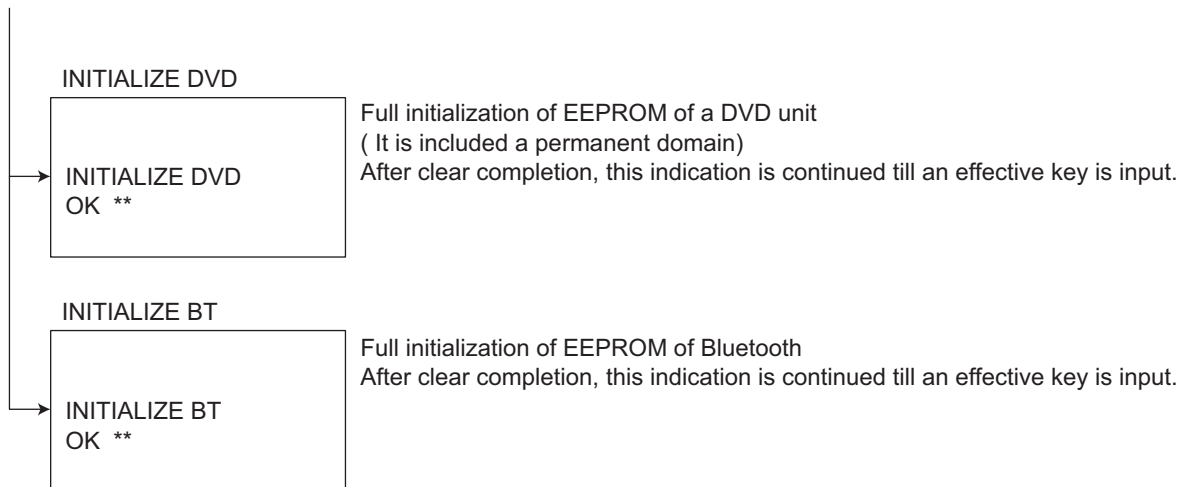
INITIALIZE ALL (Each EEPROM is initialized by a factory shipment state.)
▪ Main micon EEPROM initialization (user entry domain, error history, speaker setting, subarea of J-version, data to pre-set)
▪ Panel micon EEPROM initialization (picture adjustment data)
▪ DVD unit EEPROM initialization (except a permanent domain)
▪ Bluetooth module EEPROM initialization
▪ After clear completion, a screen returns to normal indication after OK indication was displayed for three seconds.

INITIALIZE

NOW ...
INITIALIZE

INITIALIZE
OK **

INITIALIZE (Initialization of a user area of each EEPROM)
▪ Main micon EEPROM initialization (a user entry domain) (a user entry domain, speaker setting, subarea of J-version, data to pre-set)
▪ Panel micon EEPROM initialization (picture adjustment data)
▪ DVD unit EEPROM initialization (except a permanent domain)
▪ After clear completion, a screen returns to normal indication after OK indication was displayed for three seconds.



4.4.3 Service mode 3

Keep this state more 2 seconds while continuing pressing the [MENU] button, [DISP] button and [ENT] button sequentially.

Screen indication

SERVICE MODE 3
SERVICE MODE
INITIALIZE ALL
RUNNING MODE

Exchanging it operate a menu of a service mode with the [UP] button and [DOWN] button. Operate choice of a menu with a [ENT] button.

SERVICE MODE
SERVICE MODE
VERSION
AREA/REGION
TEMPERATURE
MEMORY CHECK
DVD NTSC/PAL
DVD CHECK MODE

- Exchanging it operate a menu of a service mode with the [UP] button and [DOWN] button.
- Operate choice of a menu with a [ENT] button.
- Return to previous menu with a [BACK] button.

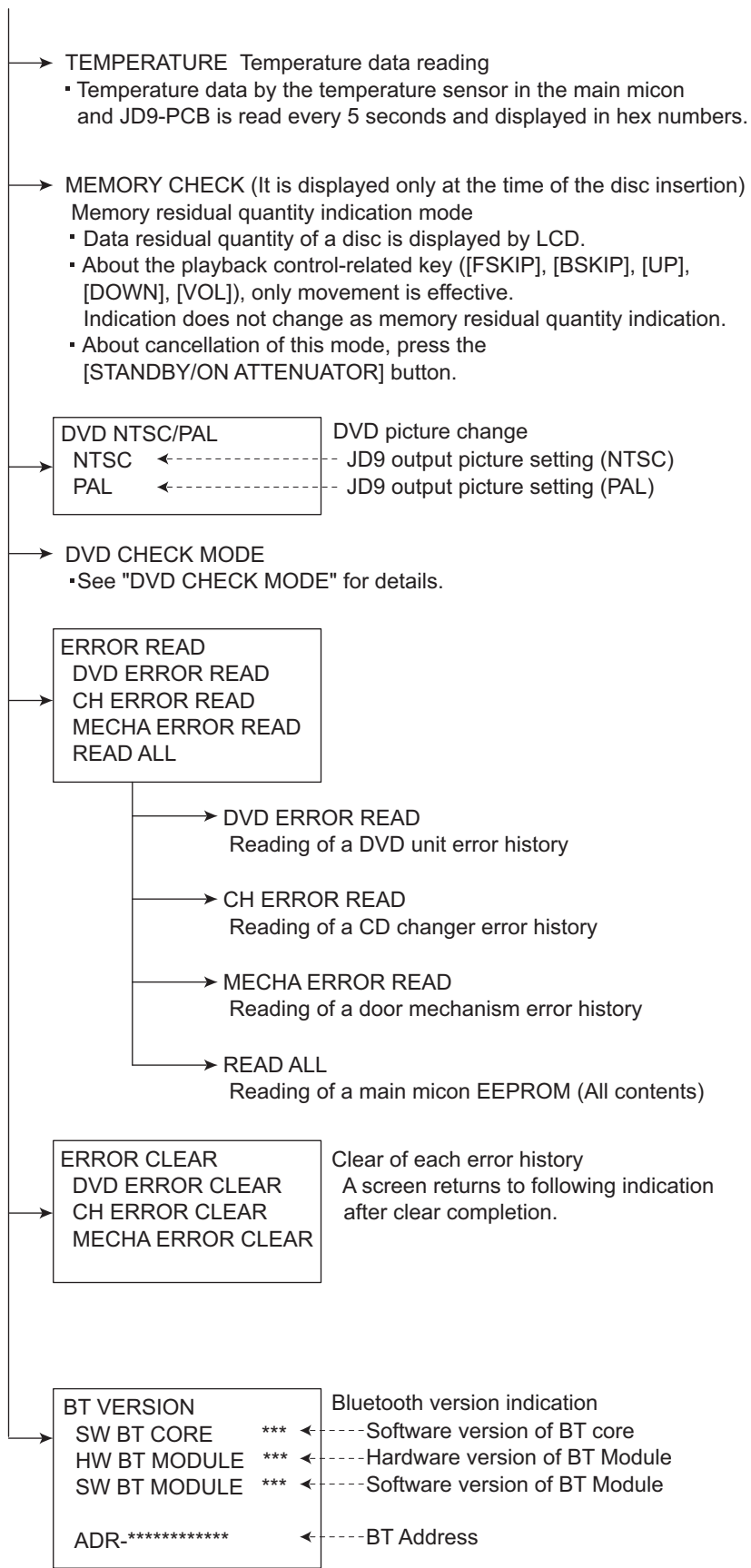
SERVICE MODE
ERROR READ
ERROR CLEAR
BT VERSION

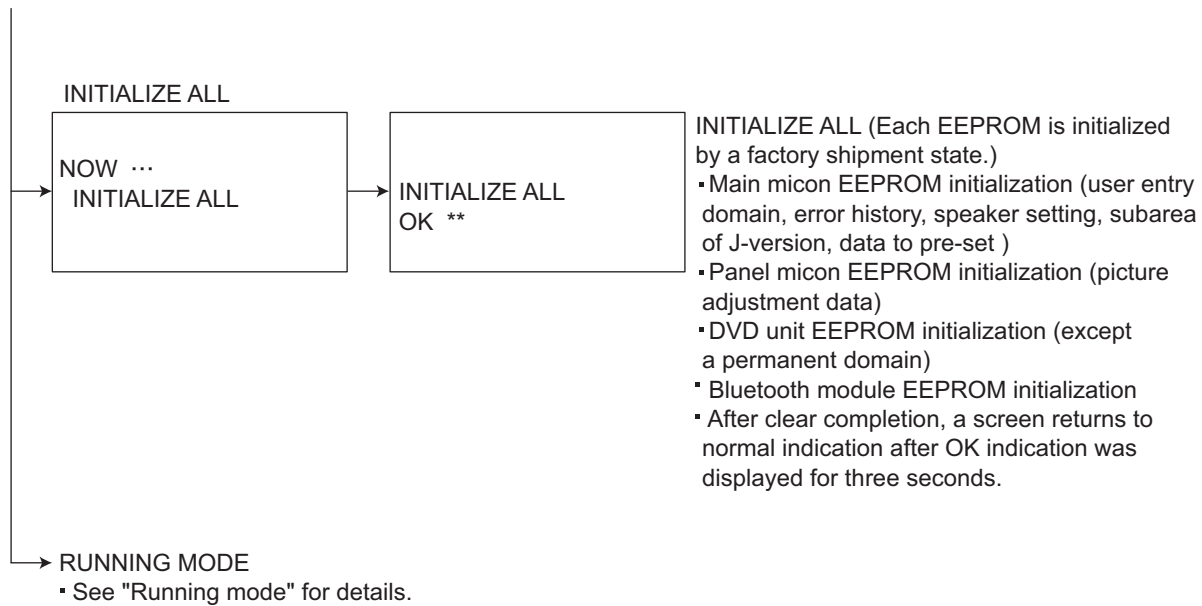
VERSION
MAIN V**** [**]
JD9 ****
CH *****
PANEL V**** V*** [**]
P.DADJ **

- Micon version indication
- Main micon version and ROM correction version
- JD9 version
- CH version
- Panel micon version and ROM correction version
- 00 : Panel No adjustment (factory use)
- 01 : Complete Panel adjustment (factory use)

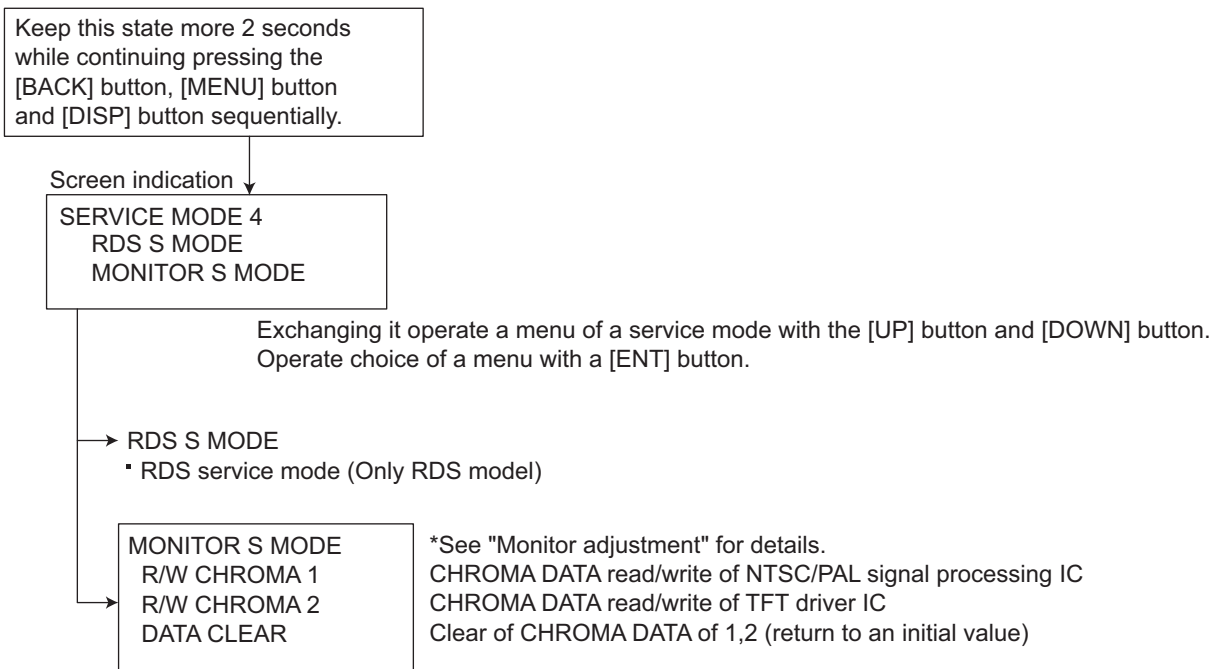
AREA/REGION
SYS-AREA : *
JD9-AREA : **
JD9-REGION : *
JD9-CPPM : * ****

- Area and region indication
- Main micon area
- JD9 area
- JD9 region
- CPPM Y : Finished with a note
- N : Non-note
- **** : Check sum

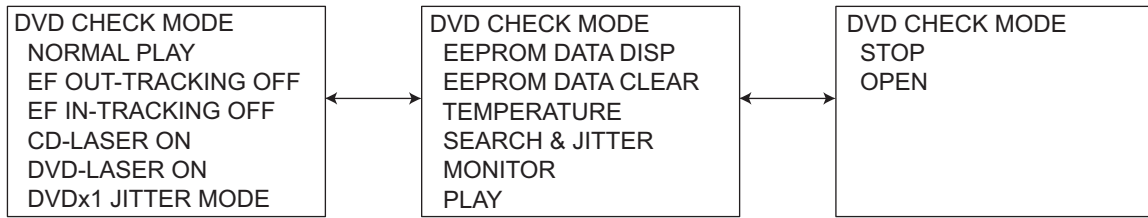




4.4.4 Service mode 4



4.5 DVD check mode



Exchanging it operate a menu of a service mode with the [UP] button and [DOWN] button.
Operate choice of a menu with a [ENT] button.

Command	Mechanism unit operation	Indication contents
NORMAL PLAY	Start at normal speed (After start, jitter is measured by an inner position.)	Laser current value, jitter value
EF OUT-TRACKING OFF	Tracking off the outermost position of CD	For EF phase error
EF IN-TRACKING OFF	Tracking off the innermost position of CD	For EF phase error
CD-LASER ON	CD_LD lights and laser current is displayed.	Laser current value, jitter value
DVD-LASER ON	DVD_LD lights and laser current is displayed	Laser current value, jitter value
DVDx1 JITTER MODE	DVD x1 jitter measuring mode (for use in mechanism adjustment)	Laser current value, jitter value
EEPROM DATA DISP	Contents of EEPROM is displayed.	EEPROM address EEPROM contents
EEPROM DATA CLEAR	Contents of EEPROM is initialized.	EEPROM address EEPROM contents
TEMPERATURE	Temperature indication	Temperature is displayed in hex numbers.
SEARCH & JITTER	The search and jitter measurement to an appointed position of DVD.	Position measured with VT-501 jitter value
MONITOR	Monitor terminal setting	
PLAY	DVD x1 stopped start (After start, jitter is measured by an inner position.)	Not displayed.
STOP	Disc stopped, LD-OFF	Not displayed.
OPEN	OPEN	Not displayed.

4.6 Error code tables

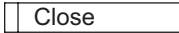




4.6.1 Mechanism error code

Error contents	Details	Error code	Detailed error code
Disc loading error			
① B1 time out		0x09	0x0011
② C1 time out		0x09	0x0012
③ D1 time out		0x09	0x0013
④ C2 time out		0x09	0x0014
⑤ B2 time out		0x09	0x0015
⑥ A2 time out		0x09	0x0016
⑦ F1 time out		0x09	0x0017
⑧ A0 (Switch state without existence)		0x09	0x0018
⑨ G1 time out		0x09	0x0019
⑩ G2 time out		0x09	0x0020
Eject error			
① F2 time out		0x01	0x0021
② A1 time out		0x01	0x0022
③ B1 time out		0x01	0x0023
④ C1 time out		0x01	0x0024
⑤ D1 time out		0x01	0x0025
⑥ C2 time out		0x01	0x0026
⑦ B2 time out		0x01	0x0027
⑧ A0 (Switch state without existence)		0x01	0x0028
Error in loading wait	Loading of a running mode Disc was pulled out in a wait.	0x09	0x0031
Loading re-execution → NG → Eject	Running mode error	0x09	0x0032
Eject re-execution → NG → Loading	Running mode error	0x01	0x0033

4.6.2 Disc error code

Error contents	Details	Error code	Detailed error code
TOC read error	TOC lead movement of a CD is not completed.	0x84	0x0059
First track access error	Even if TOC reading passes after the end with CD running mode for 30 seconds, the first track access is not finished.	0x80	0x0060
Last track access error	Even if first track passes after the end with CD running mode for 30 seconds, the last track access is not finished.	0x80	0x0061
T1 access error	Even if T1 access passes in a DVD running mode for 30 seconds, it is not finished.	0x80	0x0069
T12 access error	Even if T12 access passes in a DVD running mode for 30 seconds, it is not finished.	0x80	0x0070
T24 access error	Even if T24 access passes in a DVD running mode for 30 seconds, it is not finished.	0x80	0x0071
Read-in area read error	Read-in area read operation of DVD is not completed.	0x84	0x0072
DVD L1 layer adjustment error	Adjustment of L1 layer of DVD is not finished normally. (including focus jump failure)	0x80	0x0074
NO DISC judgment	Judgment without disc	0x80	0x0090
It is NO DISC by start failure	Start is impossible	0x80	0x0091
It is stopped by playback inability.	Stop in running mode playback	0x80	0x0093
Logic format NG	Logic format analysis inability or non-correspondence logic format	0x80	0x0094

4.6.3 Error codes of panel mechanism

PANEL ANGLE			
1	Panel		Main Body
2			
3			
4			
Open			

Details	Error code (Service mode)
Open error 1. Time out error by OPEN position cannot detect.	0A0001
Close error (ANGLE 1 error) 1. Time out error by ANGLE 1 position cannot detect.	0B0006
Angle positioning error Moving to 10 degrees (ANGLE 2 error) 1. Time out error by ANGLE 2 position cannot detect at moving to open position. 2. Missing to ANGLE 1 and detected ANGLE 2 position at moving to open position. 3. Time out error by ANGLE 2 cannot detect at moving close position.	0D0021 0D0022 0D0023
Moving to 20 degrees (ANGLE 3 error) 1. Time out error by ANGLE 3 position cannot detect at moving to open position. 2. Missing to ANGLE 2 and detected ANGLE 3 position at moving to open position. 3. Time out error by ANGLE 3 cannot detect at moving close position.	0E0031 0E0032 0E0033
Moving to 30 degrees (ANGLE 4 error) 1. Time out error by ANGLE 4 position cannot detect at moving to open position. 2. Missing to ANGLE 3 and detected ANGLE 4 position at moving to open position. 3. Time out error by ANGLE 4 cannot detect at moving close position.	0F0041 0F0042 0F0043
Abnormal switch position at moving panel The Panel move to open and close position, detected abnormal switch position.	0A0000

4.7 Running mode

Indication	Explanation	Operation contents of 1 cycle	In mecha error	In disc error	
RUNNING1 MECHA	Door mecha running 1	Panel close→Panel open	-	-	
RUNNING2 MECHA	Door mecha running 2	Panel close→Panel open →Panel detach position →Panel angle 3 position	RETRY	Retry	-
		→Panel angle 1 position →Panel angle 2 position	NO RETRY	Stop	-
RUNNING3 DVD	DVD+Door mecha running1	Loading→Eject →Wait for 5 seconds+Door open/close	Stop	-	
RUNNING4 DVD	DVD+Door mecha running2	Loading→Eject →Wait for 5 seconds+Door open/close	Retry	-	
RUNNING5 DVD	DVD+Door mecha running3	Loading→Playback→Eject →Wait for 5 seconds+Door open/close	Stop	Stop	
RUNNING6 DVD	DVD+Door mecha running4	Loading→Playback→Eject →Wait for 5 seconds+Door open/close	Retry	Stop	
RUNNING7 DVD	DVD+Door mecha running5	Loading→Playback→Eject →Wait for 5 seconds+Door open/close	Stop	Retry	
RUNNING8 DVD	DVD+Door mecha running6	Loading→Playback→Eject →Wait for 5 seconds+Door open/close	Retry	Retry	

* Cancellation of running1,2 : Press the [EJECT] key

* In running 1,2 cancellation, a door does not stop at the position and moves to a panel position.

* Cancellation of running3 to 8 : Press the [POWER] key

* The number of count and an error cord are displayed in running.

Playback contents in a running mode

▪ CD

The first track is played for 30 seconds. →The last track is played for 30 seconds.

(The last track is played in the case of less than till the last for 30 seconds.)

▪ DVD

2layer disc (Pit disc)

Title 1 (the L0 layer internal circumference) is played for 30 seconds.

→ Title 12 (L0 layer circumference) is played for 30 seconds.

→ Title 24 (L1layer internal circumference) is played for 30 seconds.

2layer disc (Recordable disc)

Title 1 (the L0 layer internal circumference) is played for 30 seconds.

→ Title 13 (L0 layer circumference) is played for 30 seconds.

→ Title 24 (L1layer internal circumference) is played for 30 seconds.

1layer disc

First chapter of title 1 is played for 30 seconds.→The last chapter of title 1 is played for 30 seconds.

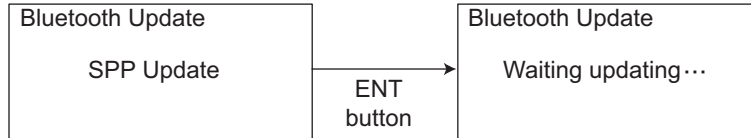
4.8 Bluetooth update mode

Bluetooth update

- * When a Bluetooth supporting device cannot be paired, updating the devices may enable pairing. Be sure to check the details of update file before updating.
- The file contains complete information of supporting devices.

1) Setup to service mode

Keep this state more 2 seconds while continuing pressing the [STANDBY/ATTENUATOR] button and [DISP] button example.

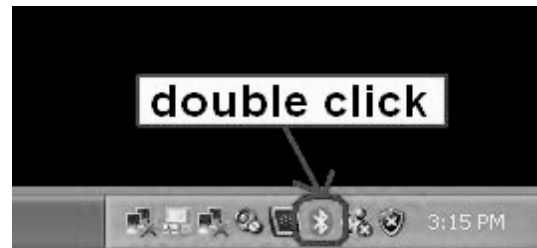


- * Operate a PC as "Waiting updating" indication.

2) Connect a dongle to the USB port of the PC.

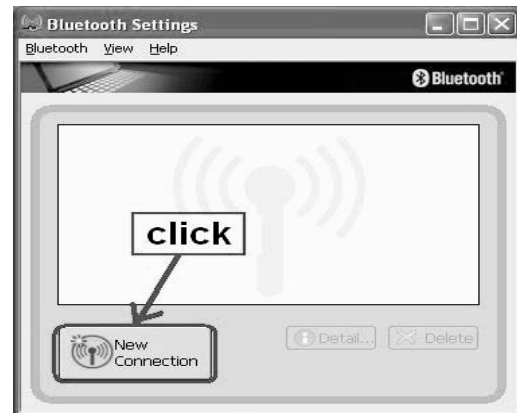
(* JVC does not always guarantee the operation of dongle from all manufacturers.)

- * Right screen is an example



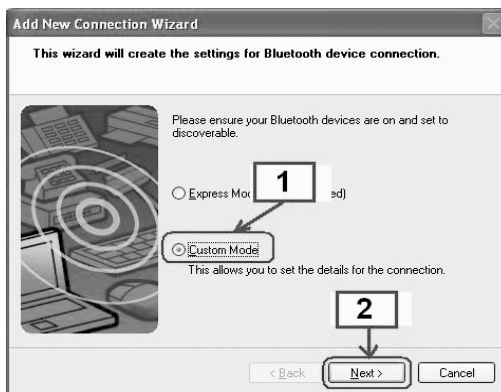
3) Select "New connection" from the dongle setting screen. (Actual screen varies depending on each software.)

- * Right screen is an example

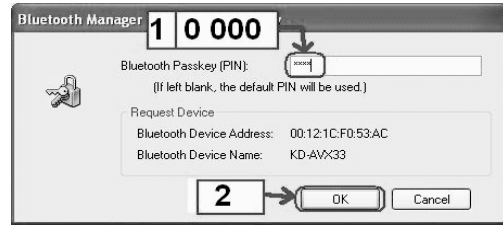
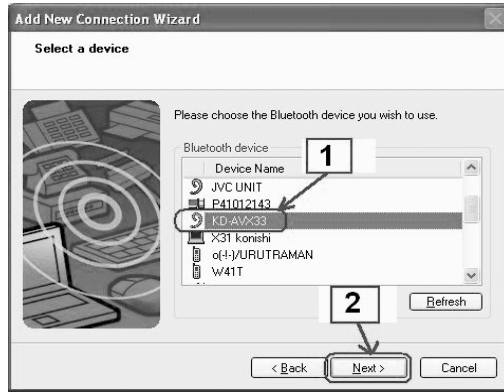


4) Select "Custom mode", and then click "Next" to start searching Bluetooth devices.

- * Below screen is an example.



5) Select the appropriate device from the screen, and then enter the PIN code "0000".

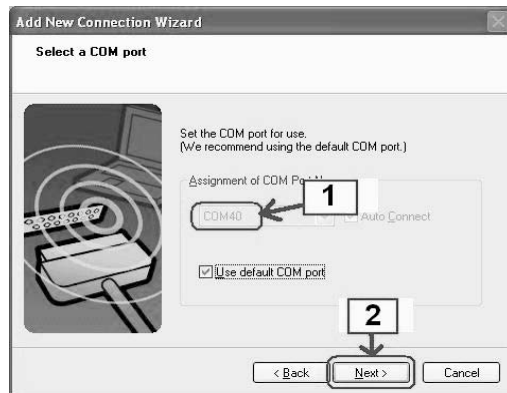


* If There is no input a few minute, the message of "~failed" may come out. In that case, please rechoose bluetooth apparatus again.

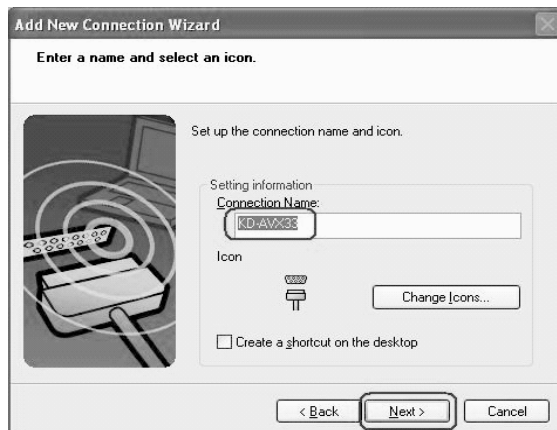
6) Select the "Serial" port, and the "update".



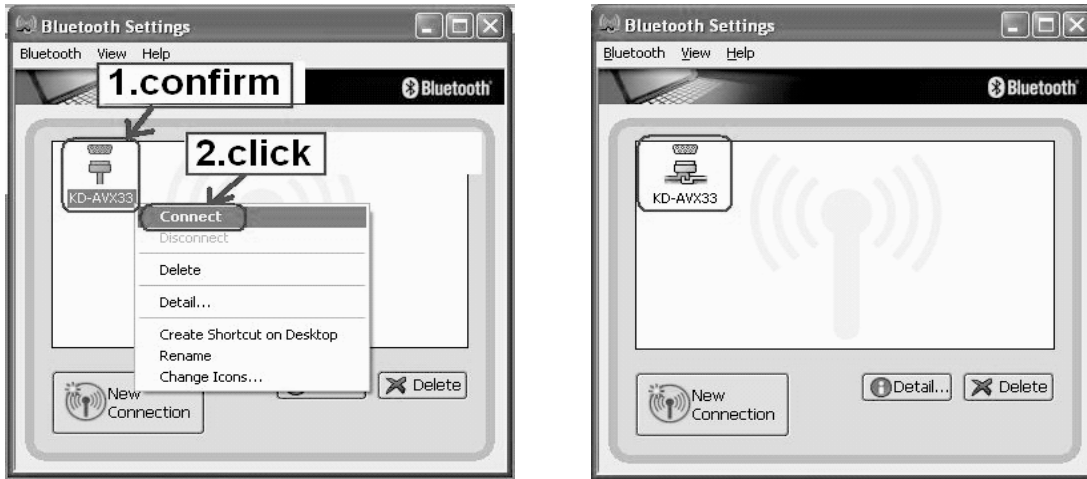
7) Confirm the allocated COM port number.



8) Keep clicking "Next" until connection setup is completed.

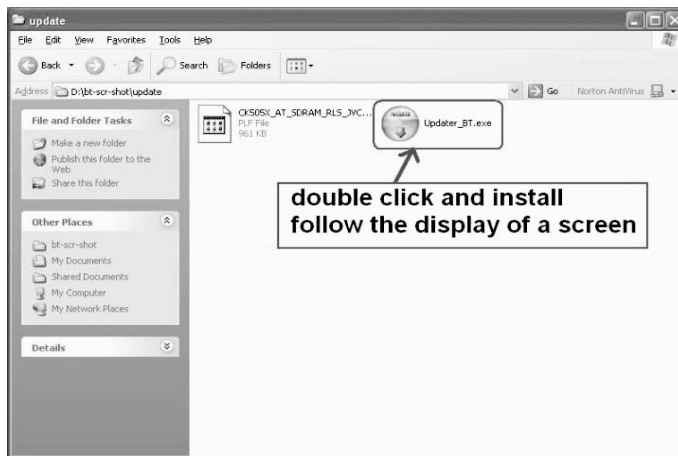


9) Right click the newly created connection icon, and then select "Connect".

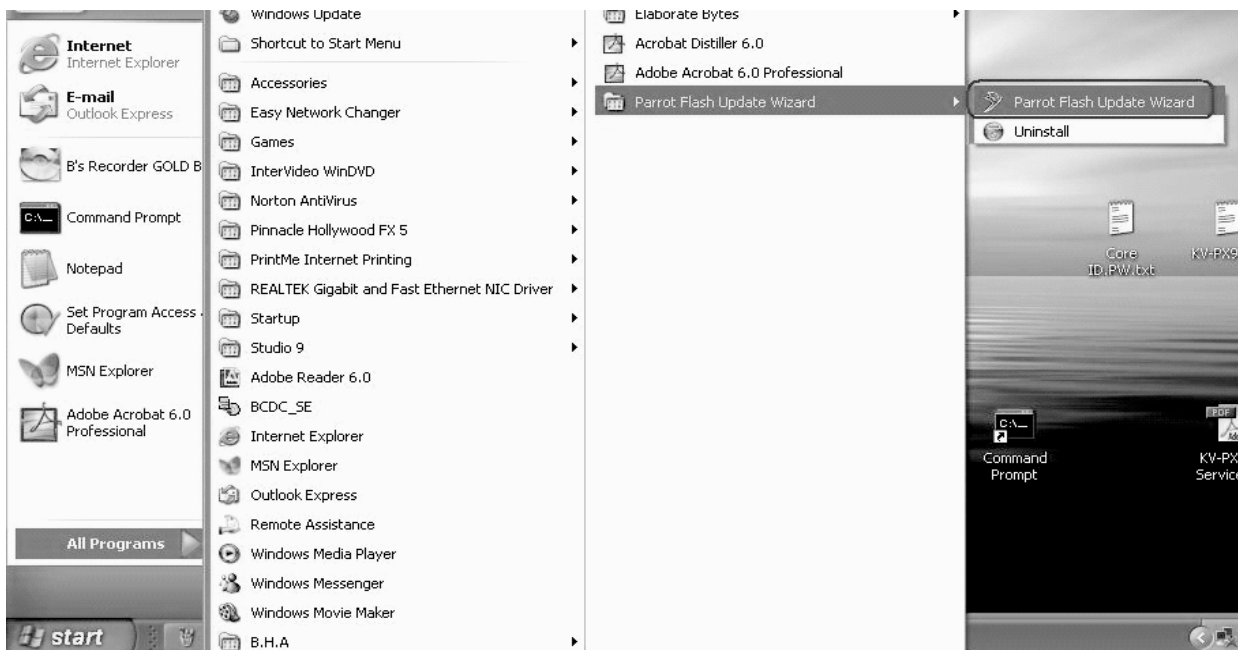


10) Please download the software for updating from JS-NET.

11) Please unpack the file (double click "Updater_BT.exe") and install in your PC.



12) Please start software "Parrot Flash Update Wizard" installed in procedure 11.



13) Select the file required for the update.

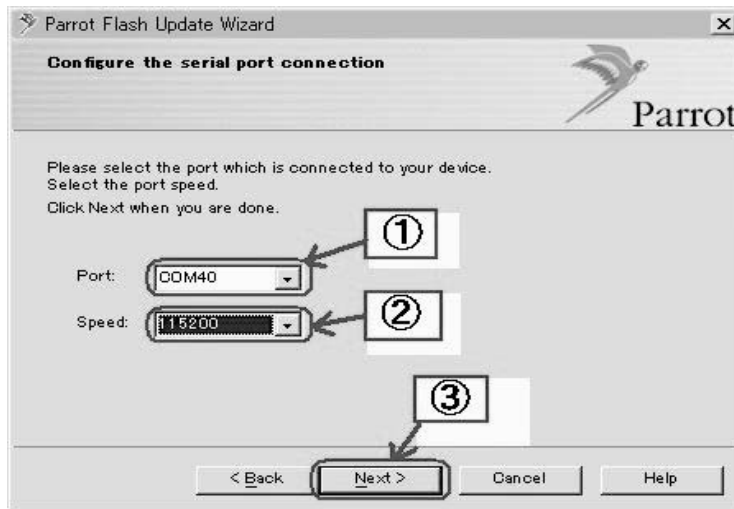


14) Select "Virtual serial connection".



15) Select the COM port. (The number confirmed in 7.)

16) Select any speed. (Around 460k is OK.)



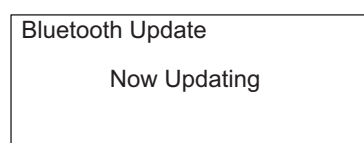
17) Click "OK".



18) "Success" dialog appears.

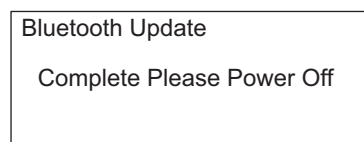


19) "Now Updating" appears in the receiver screen after about one minute.



*** Note: Never turn off the main power during the above display.**

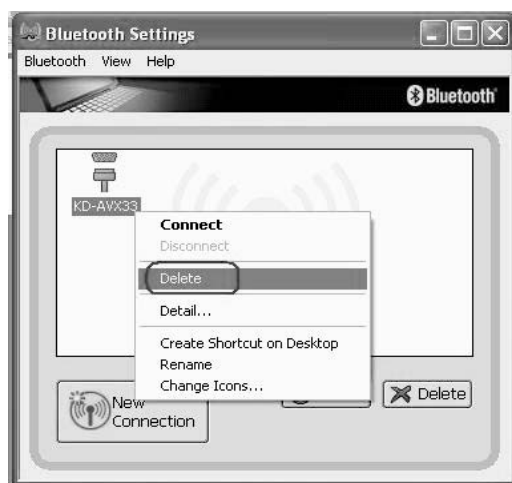
20) "Complete Please Power Off" appears on the receiver screen.



21) After turning on the receiver again, confirm whether the "SW BT MODULE" version is the latest one.

*** Note: After the update, all previous device information on paired devices is cleared. Perform pairing again for the devices you want to register.**

22) Delete the "Connection" information that is set on the PC in 9.



4.9 Monitor adjustment

* When adjusting, switch on the main unit and insert a test disc (VT-501). And play the test disc and pause it.
(Exit for VCO FREE-RUN adjustment)

1. Set the service mode 4.
2. Exchanging it operate a menu of a service mode with the [UP] button and [DOWN] button.
3. Change data with the [B.SKIP]/[F.SKIP] buttons.
4. Write data with a [ENT] button.

* When performing the VCO FREE-RUN(NTSC) adjustment, set the NTSC mode (Service mode 3 → Service mode → DVD NTSC/PAL) and turn the input into the no input. Connect the frequency counter to the point (TP524-GND) on the panel board and set the frequency into 15.734 ± 0.01 (kHz).

* When performing the VCO FREE-RUN(PAL) adjustment, set the PAL mode (Service mode 3 → Service mode → DVD NTSC/PAL) and turn the input into the no input. Connect the frequency counter to the point (TP524-GND) on the panel board and set the frequency into 15.625 ± 0.01 (kHz).

R/W CHROMA 1

Indication	Minimum value	Maximum value	Initial value	Reference register value		Detail
Contrast	00	7F	5E	6A	Adjust	Contrast control
Color (NTSC)	00	7F	33	34	Adjust	Color control
Color (PAL)	00	7F	32	36	Adjust	Color control
Color (SECAM)	00	7F	3F	3F	Fix	Color control
Tint (NTSC)	00	7F	3C	3D	Adjust	Tint control
Tint (PAL)	00	7F	3F	40	Adjust	Tint control
Tint (SECAM)	00	7F	3F	3F	Fix	Tint control
Sharpness	00	3F	20	20	Fix	Sharpness control
Brightness	00	FF	89	9C	Adjust	Brightness control
ABL off	00	01	01	01	Fix	Auto brightness limiter off
Sub Contrast	00	0F	09	09	Fix	Controls the Y amplitude
White Lim	00	0F	0F	0F	Fix	White clipping voltage for RGB signal exceeding over white
Black Lim	00	0F	00	00	Fix	White clipping voltage for RGB signal exceeding over white
Gamma 1	00	FF	00	00	Fix	Correction peak point
Gamma 2	00	FF	00	00	Fix	Boost gain correction peak point
Sub Brt R	00	0F	09	09	Adjust	Sub brightness control for R output signal
Sub Brt B	00	0F	09	09	Adjust	Sub brightness control for R output signal
Drive R (NTSC)	00	3F	20	20	Fix	Gain control for RGB video signal
Drive R (PAL)	00	3F	20	20	Fix	Gain control for RGB video signal
Drive R (SECAM)	00	3F	2F	2F	Fix	Gain control for RGB video signal
RY Gain	00	01	00	00	Fix	Relative amplitude of R-Y color difference signal
RY Phase (NTSC)	00	01	00	00	Fix	Relative phase of G-Y color difference signal
RY Phase (PAL)	00	01	00	00	Fix	Relative phase of G-Y color difference signal
RY Phase (SECAM)	00	01	00	00	Fix	Relative phase of G-Y color difference signal
Drive G (NTSC)	00	3F	20	20	Fix	Gain control for RGB video signal
Drive G (PAL)	00	3F	20	20	Fix	Gain control for RGB video signal
Drive G (SECAM)	00	3F	2F	2F	Fix	Gain control for RGB video signal
GY Gain	00	01	00	00	Fix	Relative amplitude of R-Y color difference signal
GY Phase (NTSC)	00	01	00	00	Fix	Relative phase of G-Y color difference signal
GY Phase (PAL)	00	01	00	00	Fix	Relative phase of G-Y color difference signal
GY Phase (SECAM)	00	01	00	00	Fix	Relative phase of G-Y color difference signal
Drive B (NTSC)	00	3F	20	20	Fix	Gain control for RGB video signal
Drive B (PAL)	00	3F	20	20	Fix	Gain control for RGB video signal
Drive B (SECAM)	00	3F	2F	2F	Fix	Gain control for RGB video signal

Indication	Minimum value	Maximum value	Initial value	Reference register value		Detail
Com Amp	00	FF	80	80	Fix	Common pulse amplitude
Com DC	00	FF	80	80	Fix	Preference DC output
AFC2 Phase	00	07	04	04	Fix	AFC2 phase control
DRVSEL	00	03	00	00	Fix	Driving ability of pulse output stage
Unknown 1	00	01	00	00	Fix	
Unknown 2	00	01	00	00	Fix	
LPF	00	01	01	01	Fix	LPF
Unknown 3	00	01	00	00	Fix	
DOTCLK Freq. Range	00	07	07	00	Fix	DOTCLK adjustment
EXCHFI	00	03	01	01	Fix	VD phase phase
PLL offset (NTSC)	00	3F	28	28	Fix	DOTCLK adjustment
PLL offset (PAL)	00	3F	32	32	Fix	DOTCLK adjustment
PLL offset (SECAM)	00	3F	2F	2F	Fix	DOTCLK adjustment
VD Phase (NTSC)	00	07	00	00	Fix	VD out phase
HD Phase (NTSC)	00	1F	14	14	Fix	HD out phase
S GP Phase	00	03	00	00	Fix	SECAM gate pulse phase
S-ID Sense	00	01	00	00	Fix	SECAM ID sensitivity
S-ID M	00	01	00	00	Fix	SECAM ID mode
HP Boost	00	01	00	00	Fix	Enhance the higher side of SECAM bell filter
P/N ID S	00	01	00	00	Fix	PAL / NTSC ID sensitivity for digital comb filter
BPF/HPF	00	01	00	00	Fix	Select chroma BPF frequency response
SECAM R-Y Black Adj	00	0F	00	00	Fix	R-Y black level adjust for SECAM
SECAM B-Y Black Adj	00	0F	00	00	Fix	R-Y black level adjust for SECAM
Gamma2-R	00	03	00	00	Fix	
Gamma2-G	00	03	00	00	Fix	
Gamma2-B	00	03	00	00	Fix	
VD Phase (PAL)	00	07	00	01	Fix	VD out phase
VD Phase (SECAM)	00	07	00	00	Fix	VD out phase
HD Phase (PAL)	00	1F	14	14	Fix	HD out phase
HD Phase (SECAM)	00	1F	10	00	Fix	HD out phase

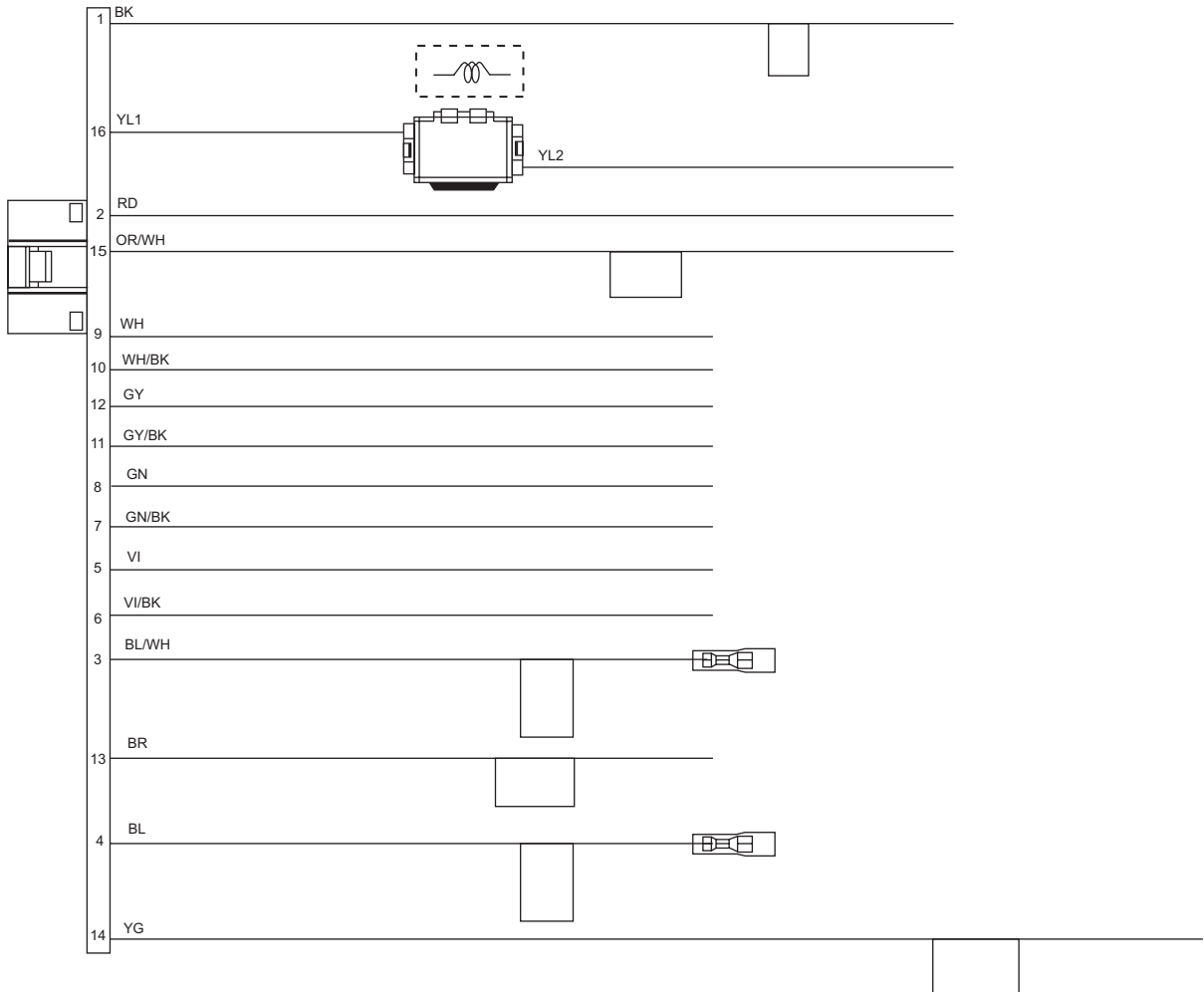
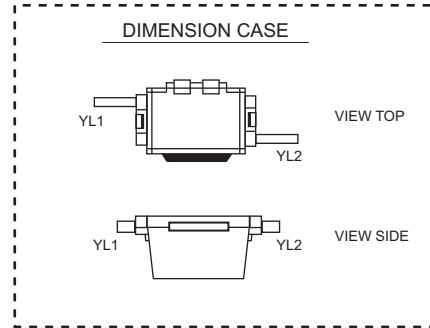
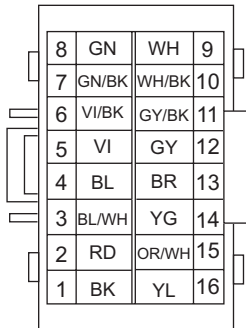
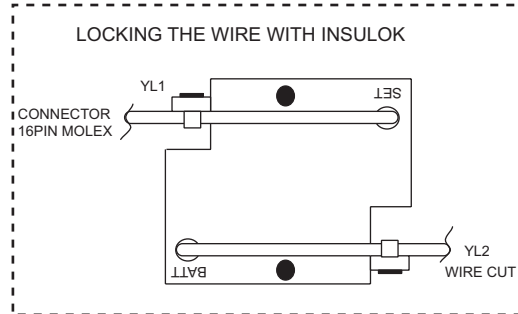
R/W CHROMA 2

Indication	Minimum value	Maximum value	Initial value	Reference register value		Detail
USER-BRIGHT	00	FF	AF	B2	Adjust	Brightness control
SUB-BRIGHT R	00	7F	4A	45	Adjust	Sub brightness control for R output signal
SUB-BRIGHT B	00	7F	43	3B	Adjust	Sub brightness control for R output signal
CONTRAST	00	FF	50	50	Adjust	Contrast control
SUB-CONTRAST R	00	7F	4A	5C	Adjust	Controls the Y amplitude
SUB-CONTRAST B	00	7F	4B	55	Adjust	Controls the Y amplitude
GAMMA 1	00	7F	45	45	Fix	Correction peak point
GAMMA 2	00	7F	00	00	Fix	Boost gain correction peak point
COM-LEVEL	00	7F	28	28	Fix	COM-LEVEL
COM-DC (NTSC)	00	7F	33	33	Fix	Preference DC output
VCO 11 (NTSC)	00	FF	4B	4B	Fix	VCO FREE-RUN adjustment (NTSC)
VCO 11 (PAL)	00	FF	4F	4F	Fix	VCO FREE-RUN adjustment (PAL)
LPF	00	07	00	00	Fix	LPF
TRAP	00	01	00	00	Fix	TRAP
SLCLP1	00	01	00	00	Fix	SLCLP1
SLCLP0	00	01	01	01	Fix	SLCLP0
H-POSITION (NTSC)	00	3F	2B	2B	Fix	H-POSITION
S/H-POSITION	00	07	01	01	Fix	S / H POSITION
HDO-POSITION	00	1F	00	00	Fix	HDO-POSITION
SLPAIR	00	01	00	00	Fix	SLPAIR
BLK-POSITION	00	1F	10	10	Fix	BLK-POSITION
S/H-POSITION2	00	07	00	00	Fix	S / H POSITION2
H POSITION (NTSC)	00	0F	00	00	Fix	
H-POSITION (PAL)	00	3F	2C	2C	Fix	H-POSITION
VCO 33 (NTSC)	00	FF	C5	15.734±0.01(kHz)	Adjust	VCO FREE-RUN adjustment (NTSC)
VCO 33 (PAL)	00	FF	CB	15.625±0.01(kHz)	Adjust	VCO FREE-RUN adjustment (PAL)
COM-DC (PAL)	00	7F	34	34	Fix	Preference DC output
H POSITION (PAL)	00	0F	00	00	Fix	

SECTION 5 TROUBLESHOOTING

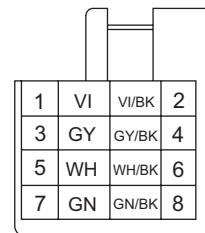
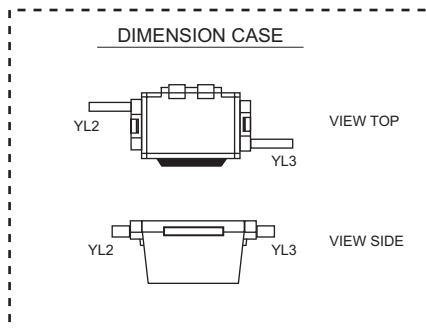
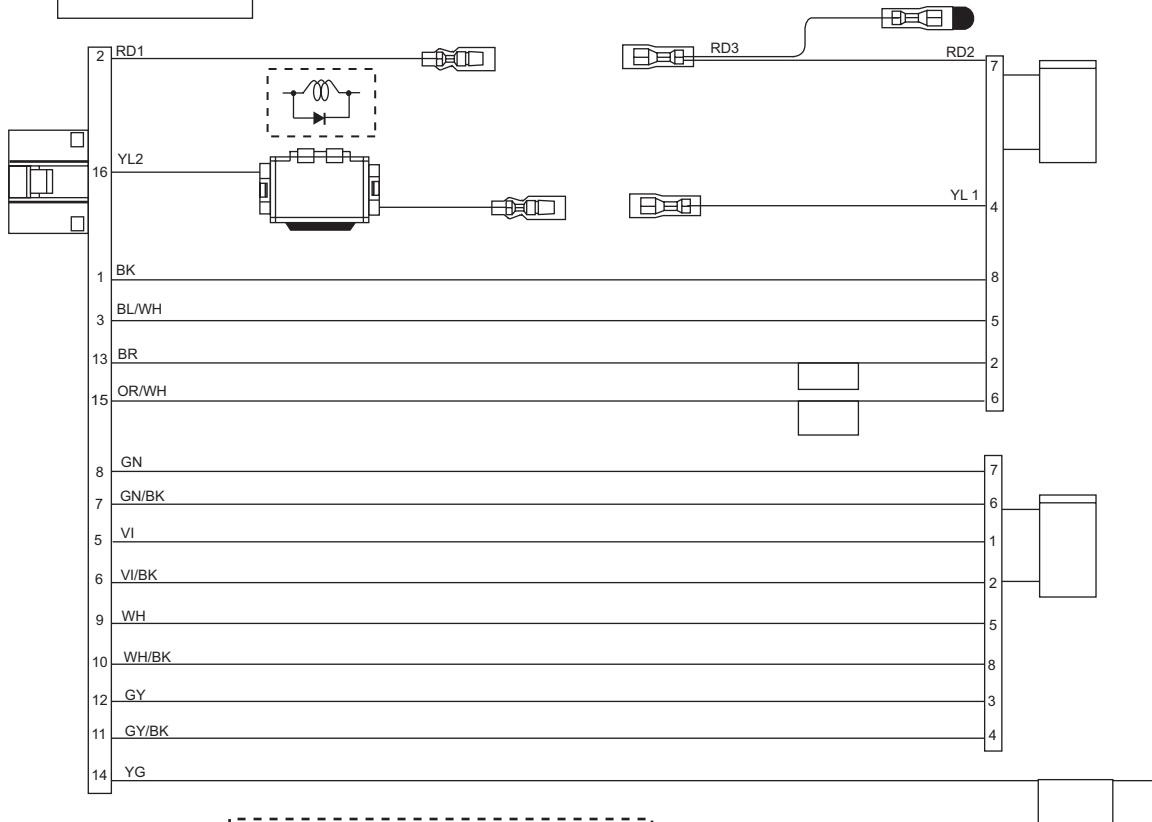
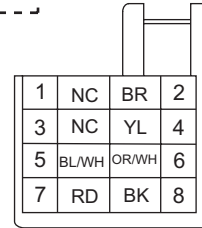
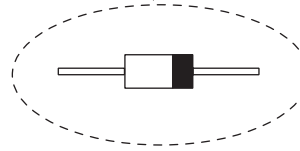
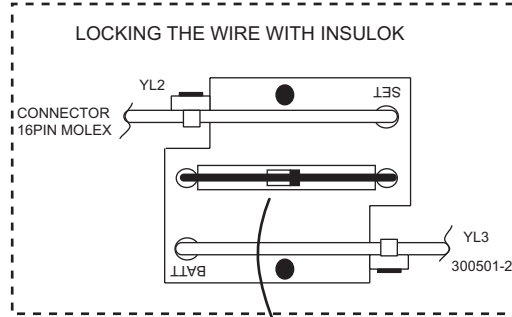
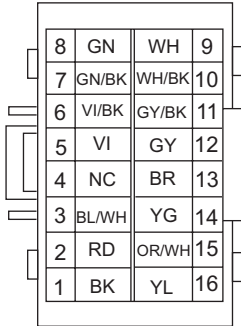
5.1 16 PIN CORD DIAGRAM (for KD-ADV38J, KD-AVX33J)

BK	Black	GN	Green
RD	Red	VI	Violet
BL	Blue	GY	Gray
WH	White	YL	Yellow
BR	Brown	YG	YellowGreen
OR	Orange		



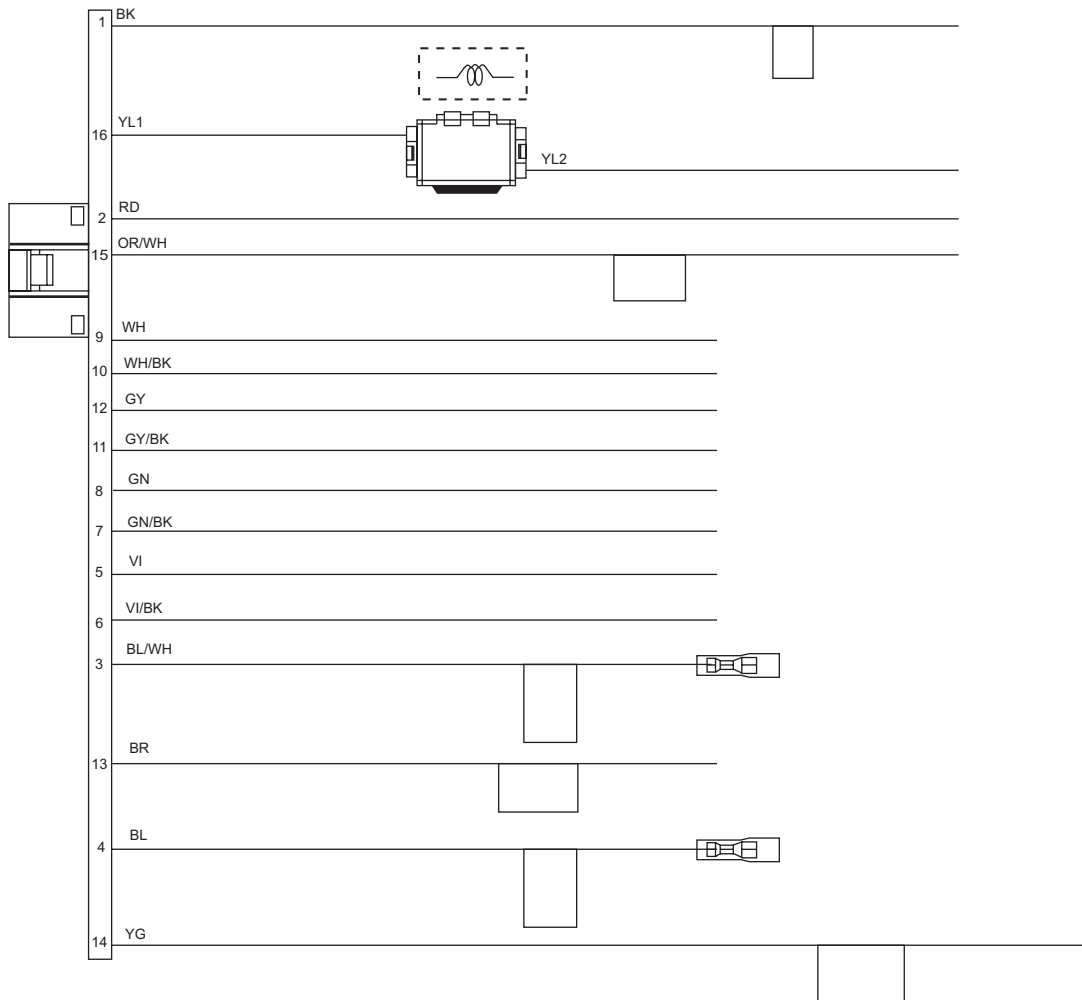
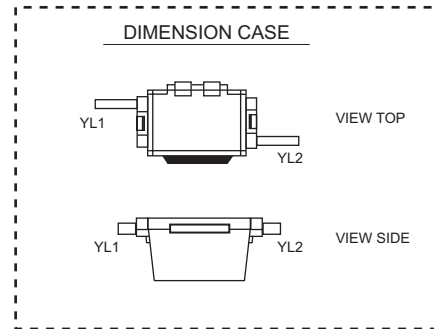
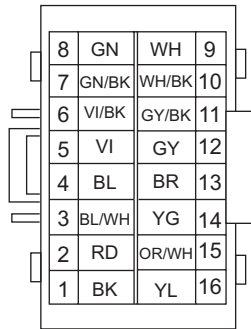
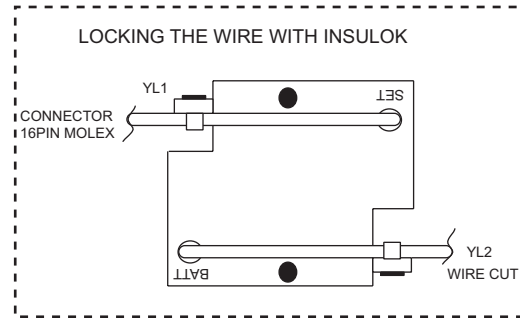
5.2 16 PIN CORD DIAGRAM (for KD-AVX33E, KD-AVX33EE)

BK	Black	GN	Green
RD	Red	VI	Violet
BL	Blue	GY	Gray
WH	White	YL	Yellow
BR	Brown	YG	YellowGreen
OR	Orange		



5.3 16 PIN CORD DIAGRAM (for KD-AVX33U, KD-AVX33A)

BK	Black	GN	Green
RD	Red	VI	Violet
BL	Blue	GY	Gray
WH	White	YL	Yellow
BR	Brown	YG	YellowGreen
OR	Orange		





JVC

Victor company of Japan, Limited
Mobile Entertainment Business Group Mobile Entertainment Category 10-1,1chome,Ohwatari-machi,Maebashi-city,Gumma-ken, 371-8543,Japan

(No.MA321)

PARTS LIST

KD-ADV38J,KD-AVX33J,KD-AVX33E
KD-AVX33EE,KD-AVX33U,KD-AVX33A

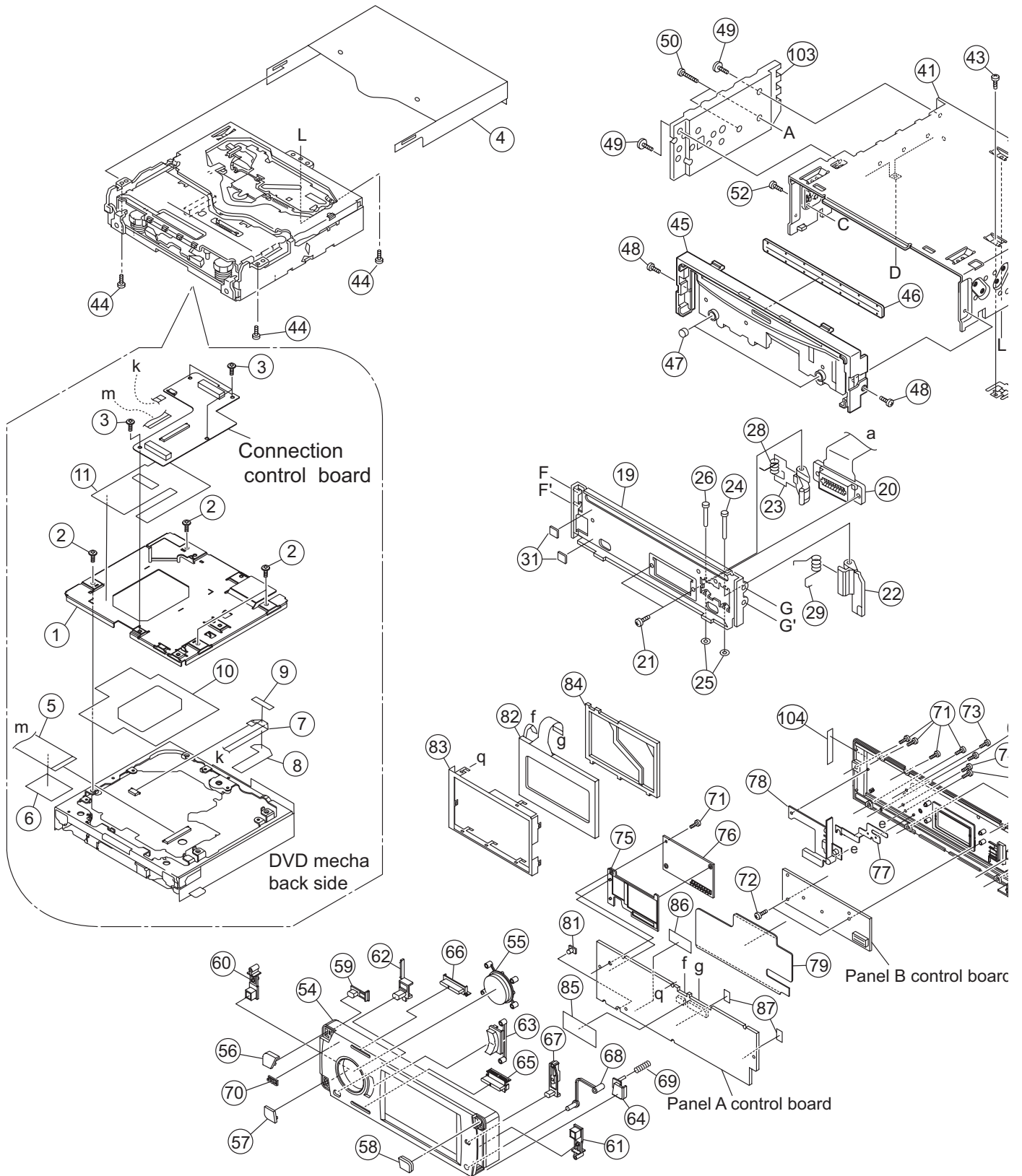
* All printed circuit boards and its assemblies are not available as service parts.

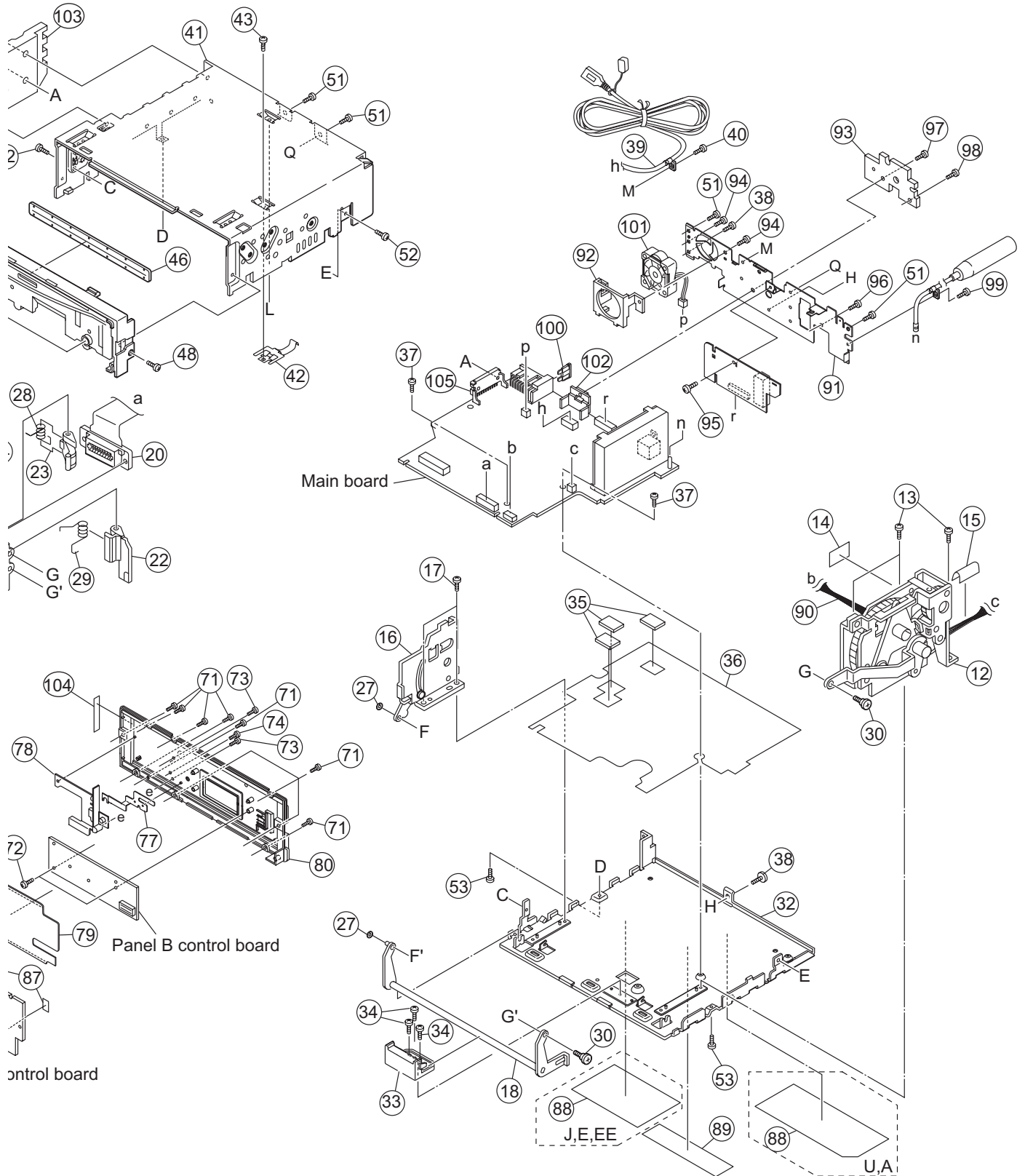
- Contents -

Exploded view of general assembly and parts list (Block No.M1)	3- 2
DVD mechanism assembly and parts list (Block No.MJ)	3- 6
Electrical parts list (Block No.01~05)	3- 9
Packing materials and accessories parts list (Block No.M3)	3-24

Exploded view of general assembly and parts list

Block No. M 1 M M





General Assembly

Block No. [M][1][M][M]

△ Symbol No.	Part No.	Part Name	Description	Local
1	LV22471-001A	PWB BRACKET		
2	LV41200-004A	SPECIAL SCREW	(x4)	
3	LV41200-004A	SPECIAL SCREW	(x4)	
4	LV22474-002A	INSULATOR MECHA		
5	QUQU005-6007BC-E	FFC WIRE	60pin 7cm	
6	LV44494-001A	PROTECT SHEET		
7	QUQU005-1409BC-E	FFC WIRE	14pin 9cm	
8	LV44796-001A	PROTECT SHEET		
9	LV40847-006A	SPACER(H)		
10	LV44854-002A	INSULATOR(M-B)		
11	LV44855-002A	INSULATOR(B-P)		
12	GE20156-001A	GEAR BKT UNIT		
13	LV40865-002A	SCREW	(x3)	
14	LV40847-002A	SPACER		
15	FSYH4036-100	SHEET		
16	GE30968-002A	LEVER BKT UNIT		
17	LV40865-002A	SCREW	(x2)	
18	GE30964-003A	LOWER LEVER ASS		
19	LV36626-005A	F.BRACKET ASSY		
20	QNZ0836-002	CAR CONNECTOR		
21	QYSPSGU2040ZA	TAP SCREW	M2 x 4mm(x2)	
22	LV35484-002A	DETACH LEVER		
23	GE30973-001A	KICK LEVER		
24	GE40192-002A	SHAFT		
25	QYWDL123525	SLIT WASHER	3.5mm/1.2mm x 0.25mm(x2)	
26	GE40193-002A	SHAFT		
27	QYWDL215025	SLIT WASHER	5mm/2.1mm x 0.25mm(x2)	
28	GE40194-001A	T SPRING		
29	GE40195-002A	T SPRING		
30	LV42181-002A	SPECIAL SCREW	(x2)	
31	LV43971-001A	ABSORBER	(x2)	
32	LV11219-002A	BOTTOM CHASSIS		
33	LV36625-001A	FPC GUIDE		
34	LV40865-002A	SCREW	(x3)	
35	LV44819-001A	H.TRANS SHEET	(x3)	
36	LV37448-002A	INSULATOR		
37	LV41200-004A	SPECIAL SCREW	(x2)	
38	LV41200-004A	SPECIAL SCREW	(x2)	
39	QAM0947-002	USB CABLE		
40	LV41200-004A	SPECIAL SCREW		
41	LV10970-004A	TOP CHASSIS		
42	LV35751-001A	EARTH SPRING		
43	LV44800-004A	SPECIAL SCREW		
44	LV44800-004A	SPECIAL SCREW	(x3)	
45	LV36623-002A	F.CHASSIS ASSY		
46	GE40156-001A	BLIND		
47	GE40196-002A	ABSORBER	(x2)	
48	QYSPSP2003ZA	SCREW	M2 x 3mm(x2)	
49	LV44800-001A	SPECIAL SCREW	(x2)	
50	LV44800-003A	SPECIAL SCREW	(x2)	
51	LV41200-004A	SPECIAL SCREW	(x4)	
52	LV41200-004A	SPECIAL SCREW	(x2)	
53	LV44800-001A	SPECIAL SCREW	(x2)	
54	LV22470-011A	PANEL ASSY		ADV38J
54	LV22470-009A	PANEL ASSY		AVX33J
54	LV22470-010A	PANEL ASSY		AVX33E,AVX33EE
54	LV22470-012A	PANEL ASSY		AVX33U,AVX33A
55	LV37336-006A	BUTTON ASSY 33		
56	LV36632-001A	CAP(POWER)		
57	LV36633-001A	CAP(EJECT)		
58	LV36634-001A	CAP (T/P)		
59	LV37347-002A	BUTTON(POWER)		
60	LV37348-002A	BUTTON(EJECT)		
61	LV37346-002A	BUTTON (T/P)		
62	LV37344-001A	BUTTON(PHONE)		
63	LV37341-001A	BUTTON(+)		
64	LV37350-002A	BUTTON(DETACH)		
65	LV37342-002A	BUTTON(BAND)		
66	LV37343-002A	BUTTON(SRC)		
67	LV37345-002A	BUTTON(DISP)		
68	LV37349-001A	BUTTON(RESET)		
69	LV44055-001A	COMPRESSION SPRING		
70	LV43184-002A	JVC BADGE		
71	VKZ4777-010	MINI SCREW	(x10)	

△	Symbol No.	Part No.	Part Name	Description	Local
	72	VKZ4777-011	MINI SCREW	(x2)	
	73	VKZ4777-011	MINI SCREW	(x2)	
	74	QYSPSPU1730ZA	SCREW	M1.7 x 3mm	
	75	LV37351-002A	BT HOLDER		
	76	QAU0496-002	RF MODULE		
	77	LV37684-001A	EARTH PLATE		
	78	LV22560-001A	EP COVER		
	79	LV44923-001A	INSULATOR(AB)		
	80	LV11361-002A	REAR COVER		
	81	LV44890-001A	TUBE		
	82	QLD0480-001	LCD MODULE		
	83	LV22472-001A	TFT CASE		
	84	LV22473-001A	TFT HOLDER		
	85	LV44869-001A	TFT SHEET		
	86	LV40848-083A	SPACER(P)		
	87	LV40848-069A	SPACER(P)	(x2)	
	88	LV37595-002A	NAME PLATE		ADV38J
	88	LV37362-002A	NAME PLATE		AVX33J
	88	LV37363-002A	NAME PLATE		AVX33E
	88	LV37364-002A	NAME PLATE		AVX33EE
	88	LV37632-001A	NAME PLATE		AVX33U
	88	LV37633-001A	NAME PLATE		AVX33A
	89	LV44603-003A	LASER CAUTION		
	90	QJJ010-040904-E	SIN CR C-C WIR		
	91	LV37353-002A	REAR BRACKET		
	92	LV43966-001A	FAN BRACKET		
	93	LV37354-001A	REAR HEAT SINK		
	94	GE40377-002A	SCREW	(x2)	
	95	GE40377-002A	SCREW		
	96	GE40377-002A	SCREW		
	97	LV44800-001A	SPECIAL SCREW		
	98	GE40377-002A	SCREW		
	99	GE40377-002A	SCREW		
△	100	QMFZ039-150-T	FUSE	15A	
	101	QAR0353-001	FAN		
	102	LV41993-003A	REG BKT		
	103	LV35331-003A	SIDE HEAT SINK		
	104	LV40848-084A	SPACER(P)		
	105	LV43967-001A	IC BRACKET		

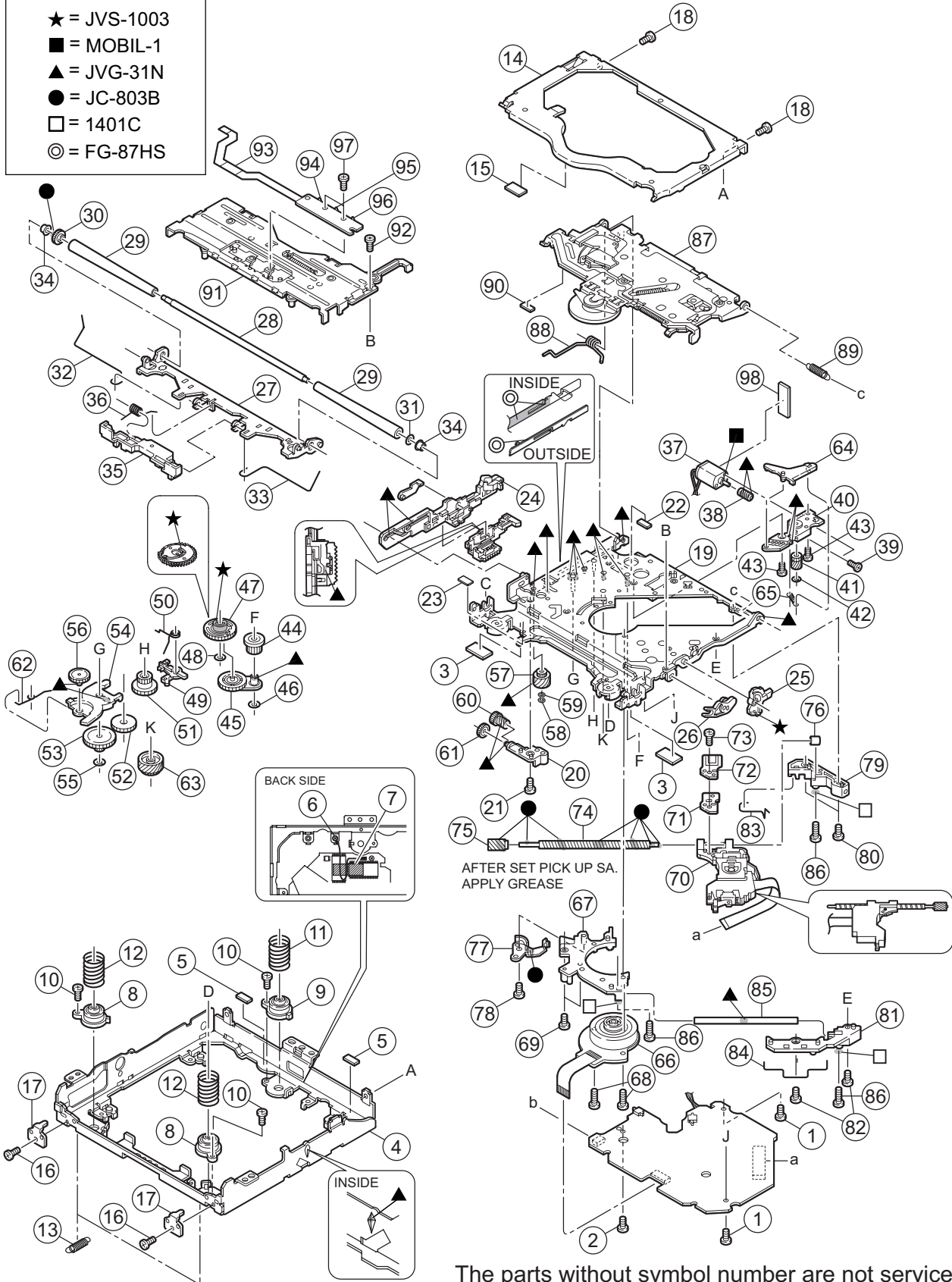
DVD mechanism assembly and parts list

FMU-JD9-21D

Block No. M J M M

Grease

- ★ = JVS-1003
- = MOBIL-1
- ▲ = JVG-31N
- = JC-803B
- = 1401C
- ◎ = FG-87HS



The parts without symbol number are not service.

DVD mechanism

Block No. [M][J][M][M]

△	Symbol No.	Part No.	Part Name	Description	Local
	1	VKZ4539-056	MINI SCREW	(x2)	
	2	QYSPSFT2040ZA	TAP SCREW	M2 x 4mm	
	3	LV43481-001A	COOLING RUBBER	(x2)	
	4	LV10674-001A	CHASSIS FRAME		
	5	LV30225-0J6A	SPACER	(x2)	
	6	VKZ4539-056	MINI SCREW		
	7	VYSA1R4-056	SPACER		
	8	LV35272-001A	DAMPER(F)	(x2)	
	9	LV35273-001A	DAMPER(R)		
	10	QYSDST2005ZA	TAP SCREW	M2 x 5mm(x3)	
	11	LV43039-001A	DAMPER SP.(R)		
	12	LV43849-001A	DAMPER SP(F2)	(x2)	
	13	LV43041-001A	FLOATING SPRING	(x2)	
	14	LV10675-002A	TOP COVER		
	15	LV30225-0J5A	SPACER		
	16	VKZ4539-056	MINI SCREW	(x2)	
	17	LV33669-001A	STOPPER	(x2)	
	18	VKZ4539-056	MINI SCREW	(x2)	
	19	LV21297-004A	CHAS. BASE ASSY		
	20	LV33608-003A	GEAR HOLDER		
	21	VKZ4539-056	MINI SCREW		
	22	LV43561-002A	ABSORBER		
	23	LV30225-0J5A	SPACER		
	24	LV36831-001A	SLIDE CAM ASSY2		
	25	LV33610-002A	FLOATING ARM		
	26	LV33611-001A	CONNECT ARM		
	27	LV33678-003A	LOADING A. ASSY		
	28	LV43049-001A	LOADING SHAFT		
	29	LV43052-003A	ROLLER	(x2)	
	30	LV33612-001A	LOADING GEAR		
	31	QYWFM124013	WASHER	4mm/1.2mm x 0.13mm	
	32	LV43053-002A	ROD(L)		
	33	LV43054-003A	ROD(R)		
	34	LV43001-001A	COLLAR	(x2)	
	35	LV21285-005A	PROTECTOR		
	36	LV43055-001A	PROTECTOR SP.		
	37	QAR0373-002	MOTOR		
	38	LV43002-002A	WORM GEAR		
	39	QYSPSPT2025MA	SCREW	M2 x 2.5mm(x2)	
	40	LV33679-002A	MOTOR H. ASSY		
	41	LV33614-003A	WORM WHEEL		
	42	QYWDL1230250	SLIT WASHER	3mm/1.2mm x 0.25mm	
	43	VKZ4539-056	MINI SCREW	(x2)	
	44	LV33615-001A	GEAR 2		
	45	LV43057-004A	IDLER ARM ASSY		
	46	QYWDL1635252	SLIT WASHER	3.5mm/1.6mm x 0.25mm	
	47	LV21286-001A	CONTROL CAM		
	48	QYWDL1230196	SLIT WASHER	3mm/1.2mm x 0.19mm	
	49	LV33616-003A	LOAD LOCK LEV		
	50	LV43060-001A	CAM SPRING		
	51	LV43005-001A	GEAR 4		
	52	LV43006-003A	GEAR 5		
	53	LV33617-003A	GEAR 6		
	54	LV33618-002A	LOADING G. ARM		
	55	QYWDL1635252	SLIT WASHER	3.5mm/1.6mm x 0.25mm	
	56	LV43007-003A	GEAR 7		
	57	LV33619-002A	GEAR 8		
	58	LV42132-001A	E RING		
	59	QYWFM215013	WASHER	5mm/2.1mm x 0.13mm	
	60	LV33620-001A	GEAR 9		
	61	LV43008-001A	GEAR10		
	62	LV43061-001A	LOAD SPRING		
	63	LV33621-001A	FEED GEAR		
	64	LV33622-003A	TRIGGER ARM		
	65	LV43062-001A	FEED TRI.SPRING		
	66	QAR0240-002	SPINDEL MOTOR		
	67	LV21287-003A	SPINDLE BASE		
	68	LV44169-001A	SPECIAL SCREW	(x2)	
	69	VKZ4539-056	MINI SCREW	(x2)	
	70	QAL0742-001	DVD PICK UP		
	71	LV34583-002A	CD RACK PLATE		
	72	LV34579-001A	CD RACK SPRING		
	73	LV43903-002A	MINI TAP SCREW		
	74	LV43037-001A	LEAD SCREW		

△	Symbol No.	Part No.	Part Name	Description	Local
	75	LV43010-001A	L.S.GEAR		
	76	LV43063-001A	L.S.COLLAR		
	77	LV43011-001A	THRUST SPRING		
	78	QYSPSFT2040ZA	TAP SCREW	M2 x 4mm	
	79	LV33624-001A	HOLDER(M)		
	80	VKZ4539-056	MINI SCREW	(x2)	
	81	LV22130-001A	HOLDER(S) 2		
	82	VKZ4539-056	MINI SCREW	(x2)	
	83	LV43064-001A	ROD(M)		
	84	LV43065-001A	ROD(S)		
	85	LV43066-001A	SUB SHAFT		
	86	VKZ4730-003	SPECIAL SCREW	(x3)	
	87	LV21298-008A	CLAMPER UNIT		
	88	LV43070-001A	CLAMPER SPRING		
	89	LV43355-001A	CLAMPER2 SPRING		
	90	LV30225-0J6A	SPACER		
	91	LV22185-004A	FRONT UNIT(C)		
	92	VKZ4539-056	MINI SCREW		
	93	LVB30012-002A	SW FPC		
	94	NSW0187-001	SWITCH	S1	
	95	NSW0187-001	SWITCH	S1	
	96	NSW0187-001	SWITCH	S1	
	97	VKZ4539-055	MINI SCREW	(x2)	
	98	VYSA1R3-035	SPACER		

Electrical parts list

Main board

Block No. [0][1]

△ Symbol No.	Part No.	Part Name	Description	Local
IC31	LC72725KM-X	IC		AVX33E, AVX33E E
IC321	TDA7416	IC		
IC331	NJM4565V-X	IC		
IC332	TC74HCT4053AFTX	IC		
IC333	TC4W53FU-X	IC		
IC350	BD3433K	IC		
IC371	TB2904HQ	IC		
IC701	UPD78F1167GC3B	IC		
IC721	BR24L32F-W-X	IC(DIGITAL)		
IC731	S-80824CNNB-G-W	IC		
IC801	R2S25400DS-E	IC		
IC802	MM1595AF-X	IC		
IC803	BA9743AFV-X	IC		
IC804	BA9743AFV-X	IC		
IC805	TC7S32FU-X	IC		
IC807	BA00CC0WFP-X	IC		
IC808	TC7SZ38FU-X	IC		
IC809	TC7S32FU-X	IC		
IC821	MM3273DN-X	IC		
IC822	MM3273DN-X	IC		
IC823	BA00CC0WFP-X	IC		
IC881	BA6956AN	IC		
IC921	MM1503XN-X	IC		
IC933	MM1511XN-X	IC		
IC935	MM1503XN-X	IC		
IC936	MM1510XN-X	IC		
IC941	TC7WH125FU-X	IC		
IC942	TC7WT126FU-X	IC		
Q1	RT1N441C-X	TRANSISTOR		
Q11	SSM3K15FS-X	MOS FET		
Q12	SSM3K15FS-X	MOS FET		
Q101	2SD2114K/VW/-X	TRANSISTOR		
Q151	2SD2114K/VW/-X	TRANSISTOR		
Q161	2SD2114K/VW/-X	TRANSISTOR		
Q201	2SD2114K/VW/-X	TRANSISTOR		
Q251	2SD2114K/VW/-X	TRANSISTOR		
Q261	2SD2114K/VW/-X	TRANSISTOR		
Q321	SSM3K15FS-X	MOS FET		
Q340	RT1N141C-X	DIGI TRANSISTOR		
Q341	2SD2704K-X	TRANSISTOR		
Q342	2SD2114K/VW/-X	TRANSISTOR		
Q350	2SA1530A/QR/-X	TRANSISTOR		
Q351	2SA1530A/QR/-X	TRANSISTOR		
Q371	RT1N441C-X	TRANSISTOR		
Q372	RT1P441C-X	DIGI TRANSISTOR		
Q373	RT1N441C-X	TRANSISTOR		
Q374	2SC3928A/QR/-X	TRANSISTOR		
Q701	RT1N141C-X	DIGI TRANSISTOR		
Q801	RSQ030P03-W	MOS FET		
Q802	RT1N141C-X	DIGI TRANSISTOR		
Q803	RSQ030P03-W	MOS FET		
Q804	RT1N141C-X	DIGI TRANSISTOR		
Q806	RT1N441U-X	TRANSISTOR		
Q807	RT1P141U-X	TRANSISTOR		
Q821	RSQ030P03-W	MOS FET		
Q822	2SC3928A/QR/-X	TRANSISTOR		
Q823	RSQ030P03-W	MOS FET		
Q824	RT1N141C-X	DIGI TRANSISTOR		
Q825	2SA1530A/QR/-X	TRANSISTOR		
Q827	RT1N141C-X	DIGI TRANSISTOR		
Q842	RT1P141C-X	DIGI TRANSISTOR		
Q843	RT1P141C-X	DIGI TRANSISTOR		
Q844	RT1P141C-X	DIGI TRANSISTOR		
Q845	RT1N141C-X	DIGI TRANSISTOR		
Q847	2SC3928A/QR/-X	TRANSISTOR		
Q848	RT1N141C-X	DIGI TRANSISTOR		
Q849	RT1N141C-X	DIGI TRANSISTOR		
Q861	RSQ030P03-W	MOS FET		
Q862	RT1P141C-X	DIGI TRANSISTOR		

△ Symbol No.	Part No.	Part Name	Description	Local
Q863	RT1P141C-X	DIGI TRANSISTOR		
Q864	RT1P141C-X	DIGI TRANSISTOR		
Q865	RT1N441C-X	TRANSISTOR		
Q881	RT1N141C-X	DIGI TRANSISTOR		
Q920	2SA1530A/QR/-X	TRANSISTOR		
Q921	2SA1530A/QR/-X	TRANSISTOR		
Q951	RT1N141C-X	DIGI TRANSISTOR		
Q952	2SA1530A/QR/-X	TRANSISTOR		
Q953	RT1N441C-X	TRANSISTOR		
Q955	2SC3928A/QR/-X	TRANSISTOR		
Q8004	RT1N441C-X	TRANSISTOR		
Q8005	RT1N441C-X	TRANSISTOR		
Q8011	RSQ030P03-W	MOS FET		
Q8012	2SC3928A/QR/-X	TRANSISTOR		
Q8013	2SA1530A/QR/-X	TRANSISTOR		
Q8021	RSQ030P03-W	MOS FET		
Q8022	2SC3928A/QR/-X	TRANSISTOR		
Q8023	2SA1530A/QR/-X	TRANSISTOR		
Q8041	RTQ035N03-W	MOS FET		
Q8042	2SA1530A/QR/-X	TRANSISTOR		
Q8043	2SC3928A/QR/-X	TRANSISTOR		
Q8051	RSQ030P03-W	MOS FET		
Q8052	2SC3928A/QR/-X	TRANSISTOR		
Q8053	2SA1530A/QR/-X	TRANSISTOR		
Q8081	RSQ030P03-W	MOS FET		
Q8082	RT1N441C-X	TRANSISTOR		
Q8083	RSQ030P03-W	MOS FET		
Q8084	RT1N441C-X	TRANSISTOR		
Q8085	RSQ030P03-W	MOS FET		
Q8086	RT1N441C-X	TRANSISTOR		
Q8091	RT1N141C-X	DIGI TRANSISTOR		
Q8092	RT1N141C-X	DIGI TRANSISTOR		
Q8093	RT1N141C-X	DIGI TRANSISTOR		
Q8094	RSS060P05-X	TRANSISTOR		
Q8095	RT1N441C-X	TRANSISTOR		
Q8096	RT1N141C-X	DIGI TRANSISTOR		
Q8097	RT1P141C-X	DIGI TRANSISTOR		
Q8098	RT1P141C-X	DIGI TRANSISTOR		
Q9201	2SA1530A/QR/-X	TRANSISTOR		
Q9202	2SC3928A/QR/-X	TRANSISTOR		
Q9203	2SC3928A/QR/-X	TRANSISTOR		
Q9211	2SA1530A/QR/-X	TRANSISTOR		
Q9212	2SA1530A/QR/-X	TRANSISTOR		
D2	MA111-X	SI DIODE		
D2	or 1SS355W-X	DIODE		
D3	MA111-X	SI DIODE		
D3	or 1SS355W-X	DIODE		
D151	MC2836-X	DIODE		
D190	MA111-X	SI DIODE		
D190	or 1SS355W-X	DIODE		
D191	MA111-X	SI DIODE		
D191	or 1SS355W-X	DIODE		
D251	MC2836-X	DIODE		
D301	MC2836-X	DIODE		
D302	UDZW18B-X	Z DIODE		
D302	or MA8180/M/-X	Z DIODE		
D303	MA2SD31-X	SB DIODE		
D311	MA111-X	SI DIODE		
D311	or 1SS355W-X	DIODE		
D312	MA111-X	SI DIODE		
D312	or 1SS355W-X	DIODE		
D321	MA2SD31-X	SB DIODE		
D340	MA111-X	SI DIODE		
D340	or 1SS355W-X	DIODE		
D342	MA111-X	SI DIODE		
D342	or 1SS355W-X	DIODE		
D371	UDZW11B-X	Z DIODE		
D371	or MA8110/M/-X	Z DIODE		
D372	MA111-X	SI DIODE		
D372	or 1SS355W-X	DIODE		
D701	MA111-X	SI DIODE		
D701	or 1SS355W-X	DIODE		
D702	MA111-X	SI DIODE		
D702	or 1SS355W-X	DIODE		
D731	MA111-X	SI DIODE		

△ Symbol No.	Part No.	Part Name	Description	Local	△ Symbol No.	Part No.	Part Name	Description	Local
D731	or 1SS355W-X	DIODE			D991	LSQ971/KL-X	LED		
D801	RB051L-40-X	SB DIODE			D3003	UDZW11B-X	Z DIODE		
D802	MA2SD31-X	SB DIODE			D3003	or MA8110/M/-X	Z DIODE		
D804	MA111-X	SI DIODE			D3004	UDZW11B-X	Z DIODE		
D804	or 1SS355W-X	DIODE			D3004	or MA8110/M/-X	Z DIODE		
D805	MA2SD31-X	SB DIODE			D8005	MA111-X	SI DIODE		
D806	MA111-X	SI DIODE			D8005	or 1SS355W-X	DIODE		
D806	or 1SS355W-X	DIODE			D8006	MA111-X	SI DIODE		
D807	MA111-X	SI DIODE			D8006	or 1SS355W-X	DIODE		
D807	or 1SS355W-X	DIODE			D8011	RB051L-40-X	SB DIODE		
D808	MA2SD31-X	SB DIODE			D8021	RB051L-40-X	SB DIODE		
D809	MA111-X	SI DIODE			D8041	RB051L-40-X	SB DIODE		
D809	or 1SS355W-X	DIODE			D8051	RB051L-40-X	SB DIODE		
D810	MA111-X	SI DIODE			D8061	MA2SD31-X	SB DIODE		
D810	or 1SS355W-X	DIODE			D8062	MA2SD31-X	SB DIODE		
D841	UDZW11B-X	Z DIODE			D8063	MA8180/M/-X	Z DIODE		
D841	or MA8110/M/-X	Z DIODE			D8063	or UDZW18B-X	Z DIODE		
D845	MA111-X	SI DIODE			D8065	MA111-X	SI DIODE		
D845	or 1SS355W-X	DIODE			D8065	or 1SS355W-X	DIODE		
D846	MC2836-X	DIODE			D8066	MA111-X	SI DIODE		
D847	MA111-X	SI DIODE			D8066	or 1SS355W-X	DIODE		
D847	or 1SS355W-X	DIODE			D8067	UDZW6.2B-X	Z DIODE		
D861	MA22D23-X	SB DIODE			D8067	or MA8062-X	Z DIODE		
D871	UDZW6.2B-X	Z DIODE			D8068	UDZW6.2B-X	Z DIODE		
D871	or MA8062-X	Z DIODE			D8068	or MA8062-X	Z DIODE		
D881	UDZW3.9B-X	Z DIODE			D8069	UDZW6.2B-X	Z DIODE		
D881	or MA8039/H/-X	Z DIODE			D8069	or MA8062-X	Z DIODE		
D901	1N5401-F64	SI DIODE			D8070	MA111-X	SI DIODE		
D905	MA22D23-X	SB DIODE			D8070	or 1SS355W-X	DIODE		
D906	MA22D23-X	SB DIODE			D8075	MA111-X	SI DIODE		
D931	UDZW6.2B-X	Z DIODE			D8075	or 1SS355W-X	DIODE		
D931	or MA8062-X	Z DIODE			D9002	UDZW5.6B-X	Z DIODE		
D932	UDZW6.2B-X	Z DIODE			D9002	or MA8056/M/-X	Z DIODE		
D932	or MA8062-X	Z DIODE			D9003	UDZW5.6B-X	Z DIODE		
D959	UDZW6.2B-X	Z DIODE			D9003	or MA8056/M/-X	Z DIODE		
D959	or MA8062-X	Z DIODE							
D960	UDZW6.2B-X	Z DIODE			C1	NDC31HJ-331X	C CAPACITOR	330pF 50V J	
D960	or MA8062-X	Z DIODE			C2	NDC31HJ-331X	C CAPACITOR	330pF 50V J	
D961	UDZW6.2B-X	Z DIODE			C3	QERF1AM-227Z	E CAPACITOR	220uF 10V M	
D961	or MA8062-X	Z DIODE			C4	NCB31CK-104X	C CAPACITOR	0.1uF 16V K	
D962	UDZW6.2B-X	Z DIODE			C5	QEKJ0JM-476Z	E CAPACITOR	47uF 6.3V M	
D962	or MA8062-X	Z DIODE			C6	NCB31CK-104X	C CAPACITOR	0.1uF 16V K	
D963	UDZW6.2B-X	Z DIODE			C7	NCB31AK-474X	C CAPACITOR	0.47uF 10V K	
D963	or MA8062-X	Z DIODE			C8	NCB31CK-104X	C CAPACITOR	0.1uF 16V K	
D964	UDZW6.2B-X	Z DIODE			C31	NCB31HK-103X	C CAPACITOR	0.01uF 50V K	AVX33E, AVX33E E
D964	or MA8062-X	Z DIODE							
D965	UDZW6.2B-X	Z DIODE			C32	QEKJ1CM-226Z	E CAPACITOR	22uF 16V M	AVX33E, AVX33E E
D965	or MA8062-X	Z DIODE							
D966	UDZW6.2B-X	Z DIODE			C33	NDC31HJ-330X	C CAPACITOR	33pF 50V J	AVX33E, AVX33E E
D966	or MA8062-X	Z DIODE							
D967	UDZW6.2B-X	Z DIODE			C34	NDC31HJ-330X	C CAPACITOR	33pF 50V J	AVX33E, AVX33E E
D967	or MA8062-X	Z DIODE							
D968	UDZW6.2B-X	Z DIODE			C35	NDC31HJ-561X	C CAPACITOR	560pF 50V J	AVX33E, AVX33E E
D968	or MA8062-X	Z DIODE							
D969	UDZW6.2B-X	Z DIODE			C36	NCB31HK-103X	C CAPACITOR	0.01uF 50V K	AVX33E, AVX33E E
D969	or MA8062-X	Z DIODE							
D973	MA2SD31-X	SB DIODE			C37	NCB20JK-106X	C CAPACITOR	10uF 6.3V K	AVX33E, AVX33E E
D975	UDZW6.2B-X	Z DIODE							
D975	or MA8062-X	Z DIODE			C38	NDC31HJ-331X	C CAPACITOR	330pF 50V J	AVX33E, AVX33E E
D976	UDZW6.2B-X	Z DIODE							
D976	or MA8062-X	Z DIODE			C106	QEKJ1HM-475Z	E CAPACITOR	4.7uF 50V M	
D977	UDZW11B-X	Z DIODE			C108	NDC31HJ-101X	C CAPACITOR	100pF 50V J	
D977	or MA8110/M/-X	Z DIODE			C112	QEKJ1HM-475Z	E CAPACITOR	4.7uF 50V M	
D978	UDZW11B-X	Z DIODE			C113	NDC31HJ-821X	C CAPACITOR	820pF 50V J	
D978	or MA8110/M/-X	Z DIODE			C115	NDC31HJ-101X	C CAPACITOR	100pF 50V J	
D979	UDZW6.2B-X	Z DIODE			C121	QEKJ1HM-475Z	E CAPACITOR	4.7uF 50V M	
D979	or MA8062-X	Z DIODE			C122	QEKJ1HM-475Z	E CAPACITOR	4.7uF 50V M	
D980	UDZW6.2B-X	Z DIODE			C124	QEKJ1HM-475Z	E CAPACITOR	4.7uF 50V M	
D980	or MA8062-X	Z DIODE			C125	QEKJ1HM-475Z	E CAPACITOR	4.7uF 50V M	
D981	MA22D23-X	SB DIODE			C129	QEKJ1HM-475Z	E CAPACITOR	4.7uF 50V M	
D982	MA22D23-X	SB DIODE		ADV38J, AVX33J, AVX33U, AVX33A	C151	QEKJ1HM-475Z	E CAPACITOR	4.7uF 50V M	
				ADV38J, AVX33J, AVX33U, AVX33A	C161	QEKJ1HM-475Z	E CAPACITOR	4.7uF 50V M	
D983	MA22D23-X	SB DIODE							
D984	MA22D23-X	SB DIODE							

△ Symbol No.	Part No.	Part Name	Description	Local	△ Symbol No.	Part No.	Part Name	Description	Local
C165	NCB31HK-102X	C CAPACITOR	1000pF 50V K		C810	NCB11AK-106X	C CAPACITOR	10uF 10V K	
C172	NFV81CM-105X	MF CAPACITOR	1uF 16V M		C811	NCB21CK-105X	C CAPACITOR	1uF 16V K	
C173	NDC31HJ-101X	C CAPACITOR	100pF 50V J		C813	NDC31HJ-471X	C CAPACITOR	470pF 50V J	
C174	NDC31HJ-101X	C CAPACITOR	100pF 50V J		C814	NCB20JK-106X	C CAPACITOR	10uF 6.3V K	
C182	NFV81CM-105X	MF CAPACITOR	1uF 16V M		C815	NCB30JK-105X	C CAPACITOR	1uF 6.3V K	
C183	NDC31HJ-101X	C CAPACITOR	100pF 50V J		C816	NCB20JK-106X	C CAPACITOR	10uF 6.3V K	
C184	NDC31HJ-101X	C CAPACITOR	100pF 50V J		C817	NCB20JK-106X	C CAPACITOR	10uF 6.3V K	
C191	QEKJ1HM-475Z	E CAPACITOR	4.7uF 50V M		C818	NCB30JK-105X	C CAPACITOR	1uF 6.3V K	
C192	QEKJ1HM-475Z	E CAPACITOR	4.7uF 50V M		C819	NCB31CK-104X	C CAPACITOR	0.1uF 16V K	
C206	QEKJ1HM-475Z	E CAPACITOR	4.7uF 50V M		C821	NCB20JK-106X	C CAPACITOR	10uF 6.3V K	
C208	NDC31HJ-101X	C CAPACITOR	100pF 50V J		C822	NCB20JK-106X	C CAPACITOR	10uF 6.3V K	
C212	QEKJ1HM-475Z	E CAPACITOR	4.7uF 50V M		C825	NCB20JK-106X	C CAPACITOR	10uF 6.3V K	
C213	NDC31HJ-821X	C CAPACITOR	820pF 50V J		C826	NCB20JK-106X	C CAPACITOR	10uF 6.3V K	
C215	NDC31HJ-101X	C CAPACITOR	100pF 50V J		C827	QE20850-157Z	E CAPACITOR	150uF	
C221	QEKJ1HM-475Z	E CAPACITOR	4.7uF 50V M		C828	QEKJ1EM-106Z	E CAPACITOR	10uF 25V M	
C222	QEKJ1HM-475Z	E CAPACITOR	4.7uF 50V M		C831	QE20859-477Z	E CAPACITOR	470uF	
C224	QEKJ1HM-475Z	E CAPACITOR	4.7uF 50V M		C841	QEKJ1CM-476Z	E CAPACITOR	47uF 16V M	
C225	QEKJ1HM-475Z	E CAPACITOR	4.7uF 50V M		C844	QEKJ0JM-227Z	E CAPACITOR	220uF 6.3V M	
C229	QEKJ1HM-475Z	E CAPACITOR	4.7uF 50V M		C845	NCB31CK-104X	C CAPACITOR	0.1uF 16V K	
C251	QEKJ1HM-475Z	E CAPACITOR	4.7uF 50V M		C847	QEKJ1CM-226Z	E CAPACITOR	22uF 16V M	
C261	QEKJ1HM-475Z	E CAPACITOR	4.7uF 50V M		C848	QEKJ1EM-106Z	E CAPACITOR	10uF 25V M	
C265	NCB31HK-102X	C CAPACITOR	1000pF 50V K		C849	QEKJ1EM-106Z	E CAPACITOR	10uF 25V M	
C272	NFV81CM-105X	MF CAPACITOR	1uF 16V M		C851	NCB31CK-104X	C CAPACITOR	0.1uF 16V K	
C273	NDC31HJ-101X	C CAPACITOR	100pF 50V J		C852	NCB31HK-102X	C CAPACITOR	1000pF 50V K	
C274	NDC31HJ-101X	C CAPACITOR	100pF 50V J		C861	NCB31CK-104X	C CAPACITOR	0.1uF 16V K	
C282	NFV81CM-105X	MF CAPACITOR	1uF 16V M		C863	NCB31CK-104X	C CAPACITOR	0.1uF 16V K	
C283	NDC31HJ-101X	C CAPACITOR	100pF 50V J		C865	NCB31HK-104X	C CAPACITOR	0.1uF 50V K	
C284	NDC31HJ-101X	C CAPACITOR	100pF 50V J		C866	NCB31CK-104X	C CAPACITOR	0.1uF 16V K	
C291	QEKJ1HM-475Z	E CAPACITOR	4.7uF 50V M		C881	QEKJ1CM-107Z	E CAPACITOR	100uF 16V M	
C292	QEKJ1HM-475Z	E CAPACITOR	4.7uF 50V M		C882	NCB31CK-473X	C CAPACITOR	0.047uF 16V K	
C315	NCB31CK-473X	C CAPACITOR	0.047uF 16V K		C901	QE20723-338	E CAPACITOR	3300uF 160V M	
C319	QEKJ1HM-475Z	E CAPACITOR	4.7uF 50V M		C902	QEKJ1HM-225Z	E CAPACITOR	2.2uF 50V M	
C321	QEKJ1CM-107Z	E CAPACITOR	100uF 16V M		C921	NCB31CK-104X	C CAPACITOR	0.1uF 16V K	
C322	NCB31CK-473X	C CAPACITOR	0.047uF 16V K		C925	NCB31CK-104X	C CAPACITOR	0.1uF 16V K	
C323	QEKJ1EM-106Z	E CAPACITOR	10uF 25V M		C931	NCB31CK-104X	C CAPACITOR	0.1uF 16V K	
C324	QEKJ1HM-475Z	E CAPACITOR	4.7uF 50V M		C935	NCB31CK-104X	C CAPACITOR	0.1uF 16V K	
C325	QEKJ1CM-226Z	E CAPACITOR	22uF 16V M		C941	NDC31HJ-220X	C CAPACITOR	22pF 50V J	
C326	QEKJ1HM-475Z	E CAPACITOR	4.7uF 50V M		C942	NCB31CK-473X	C CAPACITOR	0.047uF 16V K	
C330	QEKJ1HM-475Z	E CAPACITOR	4.7uF 50V M		C943	NDC31HJ-220X	C CAPACITOR	22pF 50V J	
C336	QEKJ1HM-475Z	E CAPACITOR	4.7uF 50V M		C944	NCB31CK-473X	C CAPACITOR	0.047uF 16V K	
C337	NDC31HJ-102X	C CAPACITOR	1000pF 50V J		C951	NCB31CK-104X	C CAPACITOR	0.1uF 16V K	
C338	NCB31HK-102X	C CAPACITOR	1000pF 50V K		C964	NCB20JK-106X	C CAPACITOR	10uF 6.3V K	
C339	NCB31HK-103X	C CAPACITOR	0.01uF 50V K		C965	NCB20JK-106X	C CAPACITOR	10uF 6.3V K	
C343	NCB31CK-473X	C CAPACITOR	0.047uF 16V K		C967	NCB31CK-104X	C CAPACITOR	0.1uF 16V K	
C345	QEKJ1HM-475Z	E CAPACITOR	4.7uF 50V M		C973	NCB31HK-102X	C CAPACITOR	1000pF 50V K	
C362	NCB31CK-223X	C CAPACITOR	0.022uF 16V K		C974	NCB31HK-102X	C CAPACITOR	1000pF 50V K	
C371	NCB31HK-103X	C CAPACITOR	0.01uF 50V K		C981	NCB31CK-104X	C CAPACITOR	0.1uF 16V K	ADV38J, AVX33J, AVX33U, AVX33A
C372	QEKJ1EM-106Z	E CAPACITOR	10uF 25V M						
C373	QEKJ1EM-106Z	E CAPACITOR	10uF 25V M						
C374	NCB31HK-103X	C CAPACITOR	0.01uF 50V K						
C375	QEKJ1CM-476Z	E CAPACITOR	47uF 16V M		C982	NCB31CK-104X	C CAPACITOR	0.1uF 16V K	
C376	QEKJ1CM-226Z	E CAPACITOR	22uF 16V M		C3001	QEKJ1HM-475Z	E CAPACITOR	0.47uF 50V M	
C377	NCB21CK-105X	C CAPACITOR	1uF 16V K		C3002	QEKJ1HM-475Z	E CAPACITOR	0.47uF 50V M	
C378	QEKJ1EM-106Z	E CAPACITOR	10uF 25V M		C3003	QEKJ1HM-105Z	E CAPACITOR	1uF 50V M	
C381	NDC31HJ-221X	C CAPACITOR	220pF 50V J		C3004	NDC31HJ-680X	C CAPACITOR	68pF 50V J	
C391	QEKJ1HM-475Z	E CAPACITOR	4.7uF 50V M		C3350	QEKJ1EM-106Z	E CAPACITOR	10uF 25V M	
C704	NDC31HJ-471X	C CAPACITOR	470pF 50V J		C3352	QEKJ1EM-106Z	E CAPACITOR	10uF 25V M	
C705	NCB31CK-473X	C CAPACITOR	0.047uF 16V K		C3353	NCB31CK-104X	C CAPACITOR	0.1uF 16V K	
C707	NCB31HK-103X	C CAPACITOR	0.01uF 50V K		C3354	NCB31CK-104X	C CAPACITOR	0.1uF 16V K	
C709	NDC31HJ-270X	C CAPACITOR	27pF 50V J		C3356	NCB31CK-473X	C CAPACITOR	0.047uF 16V K	
C710	NDC31HJ-220X	C CAPACITOR	22pF 50V J		C8002	NCB20JK-106X	C CAPACITOR	10uF 6.3V K	
C713	NDC31HJ-471X	C CAPACITOR	470pF 50V J		C8003	NCB31AK-334X	C CAPACITOR	0.33uF 10V K	
C715	NCB31HK-102X	C CAPACITOR	1000pF 50V K		C8012	NCJ11EK-106X-R	C CAPACITOR	10uF 25V	
C716	NCB31CK-104X	C CAPACITOR	0.1uF 16V K		C8012	or NCJ11EK-106X-A	C CAPACITOR	10uF 25V K	
C717	NCB30JK-105X	C CAPACITOR	1uF 6.3V K		C8013	NCB20JK-106X	C CAPACITOR	10uF 6.3V K	
C721	NDC31HJ-471X	C CAPACITOR	470pF 50V J		C8014	QE20850-157Z	E CAPACITOR	150uF	
C731	NCB31HK-103X	C CAPACITOR	0.01uF 50V K		C8015	NCB31HK-332X	C CAPACITOR	3300pF 50V K	
C732	NCB30JK-105X	C CAPACITOR	1uF 6.3V K		C8017	NCB31HK-332X	C CAPACITOR	3300pF 50V K	
C800	QEKJ0JM-227Z	E CAPACITOR	220uF 6.3V M		C8018	NCB20JK-106X	C CAPACITOR	10uF 6.3V K	
C801	QEKJ1EM-106Z	E CAPACITOR	10uF 25V M		C8021	NCB20JK-106X	C CAPACITOR	10uF 6.3V K	
C802	NCB31CK-104X	C CAPACITOR	0.1uF 16V K		C8022	NCJ11EK-106X-R	C CAPACITOR	10uF 25V	
C803	QEKJ0JM-227Z	E CAPACITOR	220uF 6.3V M		C8022	or NCJ11EK-106X-A	C CAPACITOR	10uF 25V K	
C804	NCB31CK-104X	C CAPACITOR	0.1uF 16V K		C8023	NCB20JK-106X	C CAPACITOR	10uF 6.3V K	
C805	NCB31HK-103X	C CAPACITOR	0.01uF 50V K		C8024	QE20850-157Z	E CAPACITOR	150uF	
C806	QERF1AM-227Z	E CAPACITOR	220uF 10V M		C8025	NCB31HK-332X	C CAPACITOR	3300pF 50V K	
C807	NCB11AK-106X	C CAPACITOR	10uF 10V K		C8027	NCB31HK-222X	C CAPACITOR	2200pF 50V K	
C808	NCB31HK-102X	C CAPACITOR	1000pF 50V K		C8030	NCB31HK-272X	C CAPACITOR	2700pF 50V K	
C809	NCB31CK-104X	C CAPACITOR	0.1uF 16V K		C8031	NCB31CK-104X	C CAPACITOR	0.1uF 16V K	
					C8032	NCB31HK-102X	C CAPACITOR	1000pF 50V K	

△ Symbol No.	Part No.	Part Name	Description	Local	△ Symbol No.	Part No.	Part Name	Description	Local
C8033	NCB31AK-334X	C CAPACITOR	0.33uF 10V K		R98	NRSA63J-473X	MG RESISTOR	47kΩ 1/16W J	
C8034	NCB31CK-104X	C CAPACITOR	0.1uF 16V K		R99	NRSA63J-473X	MG RESISTOR	47kΩ 1/16W J	
C8035	NCB31AK-334X	C CAPACITOR	0.33uF 10V K		R107	NRSA63J-473X	MG RESISTOR	47kΩ 1/16W J	
C8036	NCB31CK-224X	C CAPACITOR	0.22uF 16V K		R108	NRSA63J-102X	MG RESISTOR	1kΩ 1/16W J	
C8042	NCB20JK-106X	C CAPACITOR	10uF 6.3V K		R109	NRSA63J-101X	MG RESISTOR	100Ω 1/16W J	
C8043	NCJ11EK-106X-R	C CAPACITOR	10uF 25V		R110	NRSA63J-222X	MG RESISTOR	2.2kΩ 1/16W J	
C8043	or NCJ11EK-106X-A	C CAPACITOR	10uF 25V K		R111	NRSA63J-103X	MG RESISTOR	10kΩ 1/16W J	
C8044	QEZO851-686Z	E CAPACITOR	68uF		R113	NRSA63J-123X	MG RESISTOR	12kΩ 1/16W J	ADV38J, AVX33J
C8046	NDC31HJ-102X	C CAPACITOR	1000pF 50V J						
C8047	NCB31HK-682X	C CAPACITOR	6800pF 50V K		R113	NRSA63J-683X	MG RESISTOR	68kΩ 1/16W J	AVX33E, AVX33E, E,AVX33 U,AVX33 A
C8048	NDC31HJ-221X	C CAPACITOR	220pF 50V J						
C8052	NCJ11EK-106X-R	C CAPACITOR	10uF 25V						
C8052	or NCJ11EK-106X-A	C CAPACITOR	10uF 25V K						
C8053	NCB20JK-106X	C CAPACITOR	10uF 6.3V K		R115	NRSA63J-473X	MG RESISTOR	47kΩ 1/16W J	
C8054	NCB20JK-106X	C CAPACITOR	10uF 6.3V K		R116	NRSA63J-222X	MG RESISTOR	2.2kΩ 1/16W J	
C8057	NCB31HK-332X	C CAPACITOR	3300pF 50V K		R119	NRSA63J-104X	MG RESISTOR	100kΩ 1/16W J	
C8058	QEZO850-157Z	E CAPACITOR	150uF		R130	NRSA63J-470X	MG RESISTOR	47Ω 1/16W J	
C8061	QEZO851-686Z	E CAPACITOR	68uF		R140	NRSA63J-470X	MG RESISTOR	47Ω 1/16W J	
C8062	NCB21CK-105X	C CAPACITOR	1uF 16V K		R151	NRSA63J-473X	MG RESISTOR	47kΩ 1/16W J	
C8063	NCB31EK-104X	C CAPACITOR	0.1uF 25V K		R152	NRSA63J-102X	MG RESISTOR	1kΩ 1/16W J	
C8071	NCB31CK-104X	C CAPACITOR	0.1uF 16V K		R153	NRSA63J-101X	MG RESISTOR	100Ω 1/16W J	
C8072	NCB31AK-334X	C CAPACITOR	0.33uF 10V K		R154	NRSA63J-222X	MG RESISTOR	2.2kΩ 1/16W J	
C8073	NCB31AK-334X	C CAPACITOR	0.33uF 10V K		R161	NRSA63J-473X	MG RESISTOR	47kΩ 1/16W J	
C8074	NCB31CK-104X	C CAPACITOR	0.1uF 16V K		R162	NRSA63J-102X	MG RESISTOR	1kΩ 1/16W J	
C8075	NCB31HK-102X	C CAPACITOR	1000pF 50V K		R163	NRSA63J-101X	MG RESISTOR	100Ω 1/16W J	
C8085	NCB20JK-106X	C CAPACITOR	10uF 6.3V K		R164	NRSA63J-222X	MG RESISTOR	2.2kΩ 1/16W J	
C8086	NCB20JK-106X	C CAPACITOR	10uF 6.3V K		R165	NRSA63J-151X	MG RESISTOR	150Ω 1/16W J	
C8087	NCB20JK-106X	C CAPACITOR	10uF 6.3V K		R171	NRSA63J-101X	MG RESISTOR	100Ω 1/16W J	
C8096	NCB31CK-104X	C CAPACITOR	0.1uF 16V K		R173	NRSA63J-102X	MG RESISTOR	1kΩ 1/16W J	
C8099	NCB31HK-103X	C CAPACITOR	0.01uF 50V K		R181	NRSA63J-101X	MG RESISTOR	100Ω 1/16W J	
C8210	NCB31CK-104X	C CAPACITOR	0.1uF 16V K		R183	NRSA63J-102X	MG RESISTOR	1kΩ 1/16W J	
C8800	NCB31CK-104X	C CAPACITOR	0.1uF 16V K		R207	NRSA63J-473X	MG RESISTOR	47kΩ 1/16W J	
C8810	NCB31CK-104X	C CAPACITOR	0.1uF 16V K		R208	NRSA63J-102X	MG RESISTOR	1kΩ 1/16W J	
C9061	QERF0JM-337Z	E CAPACITOR	330uF 6.3V M		R209	NRSA63J-101X	MG RESISTOR	100Ω 1/16W J	
C9062	NCB31HK-103X	C CAPACITOR	0.01uF 50V K		R210	NRSA63J-222X	MG RESISTOR	2.2kΩ 1/16W J	
C9101	NCB31HK-103X	C CAPACITOR	0.01uF 50V K		R211	NRSA63J-103X	MG RESISTOR	10kΩ 1/16W J	
C9201	QEKJ1CM-476Z	E CAPACITOR	47uF 16V M		R213	NRSA63J-123X	MG RESISTOR	12kΩ 1/16W J	ADV38J, AVX33J
C9202	QEKJ1CM-226Z	E CAPACITOR	22uF 16V M						AVX33E, AVX33E, E,AVX33 U,AVX33 A
C9204	NCB11AK-106X	C CAPACITOR	10uF 10V K		R213	NRSA63J-683X	MG RESISTOR	68kΩ 1/16W J	
C9211	QEKJ1CM-476Z	E CAPACITOR	47uF 16V M						
C9214	NCB11AK-106X	C CAPACITOR	10uF 10V K						
C9901	NCB31HK-103X	C CAPACITOR	0.01uF 50V K		R215	NRSA63J-473X	MG RESISTOR	47kΩ 1/16W J	
C9902	NCB31CK-104X	C CAPACITOR	0.1uF 16V K		R216	NRSA63J-222X	MG RESISTOR	2.2kΩ 1/16W J	
C9903	NCB31HK-103X	C CAPACITOR	0.01uF 50V K		R219	NRSA63J-104X	MG RESISTOR	100kΩ 1/16W J	
C9904	NCB31HK-103X	C CAPACITOR	0.01uF 50V K		R230	NRSA63J-470X	MG RESISTOR	47Ω 1/16W J	
C9905	NCB31CK-104X	C CAPACITOR	0.1uF 16V K		R240	NRSA63J-470X	MG RESISTOR	47Ω 1/16W J	
C9907	NCB31CK-104X	C CAPACITOR	0.1uF 16V K		R251	NRSA63J-473X	MG RESISTOR	47kΩ 1/16W J	
C9908	NCB31HK-103X	C CAPACITOR	0.01uF 50V K		R252	NRSA63J-102X	MG RESISTOR	1kΩ 1/16W J	
C9909	NCB31HK-103X	C CAPACITOR	0.01uF 50V K		R253	NRSA63J-101X	MG RESISTOR	100Ω 1/16W J	
C9930	QERF0JM-337Z	E CAPACITOR	330uF 6.3V M		R254	NRSA63J-222X	MG RESISTOR	2.2kΩ 1/16W J	
C9931	NCB31CK-104X	C CAPACITOR	0.1uF 16V K		R261	NRSA63J-473X	MG RESISTOR	47kΩ 1/16W J	
C9932	NCB31CK-104X	C CAPACITOR	0.1uF 16V K		R262	NRSA63J-102X	MG RESISTOR	1kΩ 1/16W J	
C9933	NCB31CK-104X	C CAPACITOR	0.1uF 16V K		R263	NRSA63J-101X	MG RESISTOR	100Ω 1/16W J	
R1	NRSA63J-101X	MG RESISTOR	100Ω 1/16W J		R264	NRSA63J-222X	MG RESISTOR	2.2kΩ 1/16W J	
R2	NRSA63J-101X	MG RESISTOR	100Ω 1/16W J		R265	NRSA63J-151X	MG RESISTOR	150Ω 1/16W J	
R3	NRSA63J-332X	MG RESISTOR	3.3kΩ 1/16W J		R271	NRSA63J-101X	MG RESISTOR	100Ω 1/16W J	
R4	NRSA63J-102X	MG RESISTOR	1kΩ 1/16W J		R273	NRSA63J-102X	MG RESISTOR	1kΩ 1/16W J	
R5	NRSA63J-103X	MG RESISTOR	10kΩ 1/16W J		R281	NRSA63J-101X	MG RESISTOR	100Ω 1/16W J	
R6	NRSA63J-103X	MG RESISTOR	10kΩ 1/16W J		R283	NRSA63J-102X	MG RESISTOR	1kΩ 1/16W J	
R7	NRSA63J-103X	MG RESISTOR	10kΩ 1/16W J		R315	NRSA63J-471X	MG RESISTOR	470Ω 1/16W J	
R8	NRSA63J-1R0X	MG RESISTOR	1Ω 1/16W J		R316	NRSA63J-0R0X	MG RESISTOR	0Ω 1/16W J	
R11	NRSA63J-103X	MG RESISTOR	10kΩ 1/16W J		R317	NRSA63J-0R0X	MG RESISTOR	0Ω 1/16W J	
R12	NRSA63J-103X	MG RESISTOR	10kΩ 1/16W J		R321	NRSA63J-473X	MG RESISTOR	47kΩ 1/16W J	
R13	NRSA63J-6R8X	MG RESISTOR	6.8Ω 1/16W J		R322	NRSA63J-473X	MG RESISTOR	47kΩ 1/16W J	
R36	NRSA63J-222X	MG RESISTOR	2.2kΩ 1/16W J	AVX33E, AVX33E, E	R323	NRSA63J-473X	MG RESISTOR	47kΩ 1/16W J	
R37	NRSA63J-222X	MG RESISTOR	2.2kΩ 1/16W J	AVX33E, AVX33E, E	R324	NRSA63J-103X	MG RESISTOR	10kΩ 1/16W J	
R41	NRSA63J-1R0X	MG RESISTOR	1Ω 1/16W J		R326	NRSA63J-222X	MG RESISTOR	2.2kΩ 1/16W J	
R42	NRSA63J-6R8X	MG RESISTOR	6.8Ω 1/16W J		R328	NRSA63J-1R0X	MG RESISTOR	1Ω 1/16W J	
R90	NRSA63J-822X	MG RESISTOR	8.2kΩ 1/16W J		R329	NRSA63J-101X	MG RESISTOR	100Ω 1/16W J	
R91	NRSA63J-822X	MG RESISTOR	8.2kΩ 1/16W J		R330	NRSA63J-103X	MG RESISTOR	10kΩ 1/16W J	
R92	NRSA63J-183X	MG RESISTOR	18kΩ 1/16W J		R331	NRSA63J-103X	MG RESISTOR	10kΩ 1/16W J	
R93	NRSA63J-183X	MG RESISTOR	18kΩ 1/16W J		R334	NRSA63J-1R0X	MG RESISTOR	1Ω 1/16W J	
R94	NRSA63J-752X	MG RESISTOR	7.5kΩ 1/16W J		R337	NRSA63J-223X	MG RESISTOR	22kΩ 1/16W J	
R95	NRSA63J-183X	MG RESISTOR	18kΩ 1/16W J		R338	NRSA63J-223X	MG RESISTOR	22kΩ 1/16W J	
					R339	NRSA63J-103X	MG RESISTOR	10kΩ 1/16W J	
					R340	NRSA63J-103X	MG RESISTOR	10kΩ 1/16W J	

△ Symbol No.	Part No.	Part Name	Description	Local	△ Symbol No.	Part No.	Part Name	Description	Local
R341	NRSA63J-821X	MG RESISTOR	820Ω 1/16W J		R760	NRSA63J-102X	MG RESISTOR	1kΩ 1/16W J	
R342	NRSA63J-101X	MG RESISTOR	100Ω 1/16W J		R761	NRSA63J-102X	MG RESISTOR	1kΩ 1/16W J	
R343	NRSA63J-472X	MG RESISTOR	4.7kΩ 1/16W J		R762	NRSA63J-102X	MG RESISTOR	1kΩ 1/16W J	
R344	NRSA63J-102X	MG RESISTOR	1kΩ 1/16W J		R763	NRSA63J-102X	MG RESISTOR	1kΩ 1/16W J	
R345	NRSA63J-472X	MG RESISTOR	4.7kΩ 1/16W J		R764	NRSA63J-470X	MG RESISTOR	47Ω 1/16W J	
R346	NRSA63J-473X	MG RESISTOR	47kΩ 1/16W J		R765	NRSA63J-102X	MG RESISTOR	1kΩ 1/16W J	
R347	NRSA63J-101X	MG RESISTOR	100Ω 1/16W J		R766	NRSA63J-221X	MG RESISTOR	220Ω 1/16W J	
R348	NRSA63J-221X	MG RESISTOR	220Ω 1/16W J		R767	NRSA63J-101X	MG RESISTOR	100Ω 1/16W J	
R349	NRSA63J-221X	MG RESISTOR	220Ω 1/16W J		R768	NRSA63J-0R0X	MG RESISTOR	0Ω 1/16W J	
R350	NRSA63J-470X	MG RESISTOR	47Ω 1/16W J		R769	NRSA63J-101X	MG RESISTOR	100Ω 1/16W J	
R351	NRSA63J-470X	MG RESISTOR	47Ω 1/16W J		R770	NRSA63J-103X	MG RESISTOR	10kΩ 1/16W J	
R352	NRSA63J-683X	MG RESISTOR	68kΩ 1/16W J		R771	NRSA63J-103X	MG RESISTOR	10kΩ 1/16W J	
R353	NRSA63J-103X	MG RESISTOR	10kΩ 1/16W J		R772	NRSA63J-472X	MG RESISTOR	4.7kΩ 1/16W J	
R370	NRSA63J-473X	MG RESISTOR	47kΩ 1/16W J		R773	NRSA63J-472X	MG RESISTOR	4.7kΩ 1/16W J	
R371	NRSA63J-104X	MG RESISTOR	100kΩ 1/16W J		R774	NRSA63F-103X	MG RESISTOR	10kΩ 1/16W F	
R372	NRSA63J-472X	MG RESISTOR	4.7kΩ 1/16W J		R775	NRSA63J-472X	MG RESISTOR	4.7kΩ 1/16W J	
R373	NRSA63J-222X	MG RESISTOR	2.2kΩ 1/16W J		R776	NRSA63J-472X	MG RESISTOR	4.7kΩ 1/16W J	
R374	NRSA63J-100X	MG RESISTOR	10Ω 1/16W J		R777	NRSA63J-472X	MG RESISTOR	4.7kΩ 1/16W J	
R375	NRSA63J-273X	MG RESISTOR	27kΩ 1/16W J		R778	NRSA63J-472X	MG RESISTOR	4.7kΩ 1/16W J	
R376	NRSA63J-473X	MG RESISTOR	47kΩ 1/16W J		R779	NRSA63J-103X	MG RESISTOR	10kΩ 1/16W J	
R377	NRSA63J-0R0X	MG RESISTOR	0Ω 1/16W J		R781	NRSA63J-473X	MG RESISTOR	47kΩ 1/16W J	
R701	NRSA63J-103X	MG RESISTOR	10kΩ 1/16W J		R782	NRSA63J-103X	MG RESISTOR	10kΩ 1/16W J	
R702	NRSA63J-0R0X	MG RESISTOR	0Ω 1/16W J		R783	NRSA63J-223X	MG RESISTOR	22kΩ 1/16W J	
R703	NRSA63J-102X	MG RESISTOR	1kΩ 1/16W J		R784	NRSA63J-473X	MG RESISTOR	47kΩ 1/16W J	
R704	NRSA63J-102X	MG RESISTOR	1kΩ 1/16W J		R785	NRSA63J-102X	MG RESISTOR	1kΩ 1/16W J	
R705	NRSA63J-102X	MG RESISTOR	1kΩ 1/16W J		R791	NRSA63J-272X	MG RESISTOR	2.7kΩ 1/16W J	
R706	NRSA63J-102X	MG RESISTOR	1kΩ 1/16W J		R793	NRSA63F-333X	MG RESISTOR	33kΩ 1/16W F	
R707	NRSA63J-102X	MG RESISTOR	1kΩ 1/16W J		R797	NRSA63J-103X	MG RESISTOR	10kΩ 1/16W J	
R708	NRSA63J-102X	MG RESISTOR	1kΩ 1/16W J		R802	NRSA63J-100X	MG RESISTOR	10Ω 1/16W J	
R709	NRSA63J-106X	MG RESISTOR	10MΩ 1/16W J		R803	NRSA63J-472X	MG RESISTOR	4.7kΩ 1/16W J	
R710	NRSA63J-101X	MG RESISTOR	100Ω 1/16W J		R804	NRSA63J-103X	MG RESISTOR	10kΩ 1/16W J	
R711	NRSA63J-0R0X	MG RESISTOR	0Ω 1/16W J		R805	NRSA63J-102X	MG RESISTOR	1kΩ 1/16W J	
R712	NRSA63J-102X	MG RESISTOR	1kΩ 1/16W J		R806	NRSA63J-473X	MG RESISTOR	47kΩ 1/16W J	
R713	NRSA63J-104X	MG RESISTOR	100kΩ 1/16W J		R807	NRSA63J-102X	MG RESISTOR	1kΩ 1/16W J	
R714	NRSA63J-473X	MG RESISTOR	47kΩ 1/16W J		R808	NRSA63J-103X	MG RESISTOR	10kΩ 1/16W J	
R715	NRSA63J-102X	MG RESISTOR	1kΩ 1/16W J		R809	NRSA63J-103X	MG RESISTOR	10kΩ 1/16W J	
R716	NRSA63J-102X	MG RESISTOR	1kΩ 1/16W J		R810	NRSA63J-0R0X	MG RESISTOR	0Ω 1/16W J	
R717	NRSA63J-102X	MG RESISTOR	1kΩ 1/16W J		R811	NRSA63J-102X	MG RESISTOR	1kΩ 1/16W J	
R718	NRSA63J-222X	MG RESISTOR	2.2kΩ 1/16W J		R812	NRSA63J-222X	MG RESISTOR	2.2kΩ 1/16W J	
R719	NRSA63J-222X	MG RESISTOR	2.2kΩ 1/16W J		R813	NRSA63J-103X	MG RESISTOR	10kΩ 1/16W J	
R720	NRSA63J-222X	MG RESISTOR	2.2kΩ 1/16W J		R814	NRSA63J-102X	MG RESISTOR	1kΩ 1/16W J	
R721	NRSA63J-102X	MG RESISTOR	1kΩ 1/16W J		R815	NRSA63J-471X	MG RESISTOR	47Ω 1/16W J	
R722	NRSA63J-0R0X	MG RESISTOR	0Ω 1/16W J		R827	NRSA63J-471X	MG RESISTOR	47Ω 1/16W J	
R723	NRSA63J-223X	MG RESISTOR	22kΩ 1/16W J		R828	NRSA63J-223X	MG RESISTOR	22kΩ 1/16W J	
R724	NRSA63J-222X	MG RESISTOR	2.2kΩ 1/16W J		R829	NRSA63J-332X	MG RESISTOR	3.3kΩ 1/16W J	
R725	NRSA63J-222X	MG RESISTOR	2.2kΩ 1/16W J		R836	NRSA63J-473X	MG RESISTOR	47kΩ 1/16W J	
R726	NRSA63J-222X	MG RESISTOR	2.2kΩ 1/16W J		R837	NRSA63J-222X	MG RESISTOR	2.2kΩ 1/16W J	
R727	NRSA63J-222X	MG RESISTOR	2.2kΩ 1/16W J		R841	NRSA63J-471X	MG RESISTOR	47Ω 1/16W J	
R728	NRSA63J-222X	MG RESISTOR	2.2kΩ 1/16W J		R842	NRSA63J-471X	MG RESISTOR	47Ω 1/16W J	
R729	NRSA63J-222X	MG RESISTOR	2.2kΩ 1/16W J		R843	NRSA63J-471X	MG RESISTOR	47Ω 1/16W J	
R730	NRSA63J-0R0X	MG RESISTOR	0Ω 1/16W J		R844	NRSA63J-473X	MG RESISTOR	47kΩ 1/16W J	
R731	NRSA63J-101X	MG RESISTOR	100Ω 1/16W J		R845	NRSA63J-102X	MG RESISTOR	1kΩ 1/16W J	
R732	NRSA63J-0R0X	MG RESISTOR	0Ω 1/16W J		R847	NRSA63J-473X	MG RESISTOR	47kΩ 1/16W J	
R733	NRSA63J-102X	MG RESISTOR	1kΩ 1/16W J		R848	NRSA63J-103X	MG RESISTOR	10kΩ 1/16W J	
R734	NRSA63J-102X	MG RESISTOR	1kΩ 1/16W J		R849	NRSA63J-473X	MG RESISTOR	47kΩ 1/16W J	
R735	NRSA63J-223X	MG RESISTOR	22kΩ 1/16W J		R850	NRSA63J-472X	MG RESISTOR	4.7kΩ 1/16W J	
R736	NRSA63J-222X	MG RESISTOR	2.2kΩ 1/16W J		R852	NRSA63J-103X	MG RESISTOR	10kΩ 1/16W J	
R737	NRSA63J-471X	MG RESISTOR	470Ω 1/16W J		R853	NRSA63J-473X	MG RESISTOR	47kΩ 1/16W J	
R738	NRSA63J-471X	MG RESISTOR	470Ω 1/16W J		R856	NRSA63J-103X	MG RESISTOR	10kΩ 1/16W J	
R739	NRSA63J-102X	MG RESISTOR	1kΩ 1/16W J		R857	NRSA63J-0R0X	MG RESISTOR	0Ω 1/16W J	
R740	NRSA63J-562X	MG RESISTOR	5.6kΩ 1/16W J		R858	NRSA63J-0R0X	MG RESISTOR	0Ω 1/16W J	
R741	NRSA63J-102X	MG RESISTOR	1kΩ 1/16W J		R859	NRSA63J-104X	MG RESISTOR	100kΩ 1/16W J	
R742	NRSA63J-102X	MG RESISTOR	1kΩ 1/16W J		R861	NRSA63J-101X	MG RESISTOR	100Ω 1/16W J	
R743	NRSA63J-471X	MG RESISTOR	470Ω 1/16W J		R863	NRSA63J-103X	MG RESISTOR	10kΩ 1/16W J	
R744	NRSA63J-471X	MG RESISTOR	470Ω 1/16W J		R866	NRSA63J-1R0X	MG RESISTOR	1Ω 1/16W J	
R745	NRSA63J-102X	MG RESISTOR	1kΩ 1/16W J		R872	NRSA63J-271X	MG RESISTOR	270Ω 1/16W J	
R746	NRSA63J-102X	MG RESISTOR	1kΩ 1/16W J		R881	NRSA63J-102X	MG RESISTOR	1kΩ 1/16W J	
R747	NRSA63J-102X	MG RESISTOR	1kΩ 1/16W J		R901	NRS181J-102X	MG RESISTOR	1kΩ 1/8W J	
R748	NRSA63J-102X	MG RESISTOR	1kΩ 1/16W J		R902	NRSA63J-912X	MG RESISTOR	9.1kΩ 1/16W J	
R749	NRSA63J-102X	MG RESISTOR	1kΩ 1/16W J		R903	NRSA63J-472X	MG RESISTOR	4.7kΩ 1/16W J	
R750	NRSA63F-103X	MG RESISTOR	10kΩ 1/16W F		R906	NRSA63J-472X	MG RESISTOR	4.7kΩ 1/16W J	
R752	NRSA63J-102X	MG RESISTOR	1kΩ 1/16W J		R909	NRSA63J-331X	MG RESISTOR	330Ω 1/16W J	
R753	NRSA63J-102X	MG RESISTOR	1kΩ 1/16W J		R923	NRSA63J-105X	MG RESISTOR	1MΩ 1/16W J	
R754	NRSA63J-102X	MG RESISTOR	1kΩ 1/16W J		R926	NRSA63J-105X	MG RESISTOR	1MΩ 1/16W J	
R756	NRSA63J-103X	MG RESISTOR	10kΩ 1/16W J		R932	NRSA63J-750X	MG RESISTOR	75Ω 1/16W J	
R757	NRSA63J-0R0X	MG RESISTOR	0Ω 1/16W J		R934	NRSA63J-0R0X	MG RESISTOR	0Ω 1/16W J	
R758	NRSA63J-103X	MG RESISTOR	10kΩ 1/16W J		R936	NRSA63J-750X	MG RESISTOR	75Ω 1/16W J	
R759	NRSA63J-0R0X	MG RESISTOR	0Ω 1/16W J		R939	NRSA63J-473X	MG RESISTOR	47kΩ 1/16W J	

△ Symbol No.	Part No.	Part Name	Description	Local	△ Symbol No.	Part No.	Part Name	Description	Local
R940	NRSA63J-473X	MG RESISTOR	47kΩ 1/16W J		R8022	NRSA63J-471X	MG RESISTOR	470Ω 1/16W J	
R941	NRSA63J-0R0X	MG RESISTOR	0Ω 1/16W J		R8023	NRSA63J-471X	MG RESISTOR	470Ω 1/16W J	
R942	NRSA63J-101X	MG RESISTOR	100Ω 1/16W J		R8025	NRSA63J-102X	MG RESISTOR	1kΩ 1/16W J	
R943	NRSA63J-223X	MG RESISTOR	22kΩ 1/16W J		R8026	NRSA63J-272X	MG RESISTOR	2.7kΩ 1/16W J	
R944	NRSA63J-104X	MG RESISTOR	100kΩ 1/16W J		R8027	NRSA63J-331X	MG RESISTOR	330Ω 1/16W J	
R945	NRSA63J-101X	MG RESISTOR	100Ω 1/16W J		R8028	NRSA63J-470X	MG RESISTOR	47Ω 1/16W J	
R946	NRSA63J-472X	MG RESISTOR	4.7kΩ 1/16W J		R8029	NRSA63J-562X	MG RESISTOR	5.6kΩ 1/16W J	
R947	NRSA63J-101X	MG RESISTOR	100Ω 1/16W J		R8030	NRSA63J-122X	MG RESISTOR	1.2kΩ 1/16W J	
R949	NRSA63J-101X	MG RESISTOR	100Ω 1/16W J		R8033	NRSA63J-683X	MG RESISTOR	68kΩ 1/16W J	
R951	NRSA63J-392X	MG RESISTOR	3.9kΩ 1/16W J		R8034	NRSA63J-563X	MG RESISTOR	56kΩ 1/16W J	
R952	NRSA63J-392X	MG RESISTOR	3.9kΩ 1/16W J		R8035	NRSA63J-333X	MG RESISTOR	33kΩ 1/16W J	
R953	NRSA63J-392X	MG RESISTOR	3.9kΩ 1/16W J		R8036	NRSA63J-333X	MG RESISTOR	33kΩ 1/16W J	
R954	NRSA63J-392X	MG RESISTOR	3.9kΩ 1/16W J		R8037	NRSA63J-563X	MG RESISTOR	56kΩ 1/16W J	
R955	NRSA63J-183X	MG RESISTOR	18kΩ 1/16W J		R8038	NRSA63J-823X	MG RESISTOR	82kΩ 1/16W J	
R956	NRSA63J-683X	MG RESISTOR	68kΩ 1/16W J		R8041	NRSA63J-100X	MG RESISTOR	10Ω 1/16W J	
R957	NRSA63J-102X	MG RESISTOR	1kΩ 1/16W J		R8042	NRSA63J-471X	MG RESISTOR	470Ω 1/16W J	
R959	NRSA63J-102X	MG RESISTOR	1kΩ 1/16W J		R8043	NRSA63J-333X	MG RESISTOR	33kΩ 1/16W J	
R960	NRSA63J-101X	MG RESISTOR	100Ω 1/16W J		R8044	NRSA63J-333X	MG RESISTOR	33kΩ 1/16W J	
R961	NRSA63J-332X	MG RESISTOR	3.3kΩ 1/16W J		R8045	NRSA63J-100X	MG RESISTOR	10Ω 1/16W J	
R962	NRSA63D-181X	MG RESISTOR	180Ω 1/16W D		R8046	NRSA63J-102X	MG RESISTOR	1kΩ 1/16W J	
R963	NRSA63J-101X	MG RESISTOR	100Ω 1/16W J		R8047	NRSA63J-103X	MG RESISTOR	10kΩ 1/16W J	
R965	NRSA63J-101X	MG RESISTOR	100Ω 1/16W J		R8048	NRSA63J-0R0X	MG RESISTOR	0Ω 1/16W J	
R971	NRSA63J-154X	MG RESISTOR	150kΩ 1/16W J		R8049	NRSA63J-103X	MG RESISTOR	10kΩ 1/16W J	
R972	NRSA63J-224X	MG RESISTOR	220kΩ 1/16W J		R8050	NRSA63J-392X	MG RESISTOR	3.9kΩ 1/16W J	
R973	NRSA63J-104X	MG RESISTOR	100kΩ 1/16W J		R8051	NRSA63J-5R6X	MG RESISTOR	5.6Ω 1/16W J	
R979	NRSA63J-223X	MG RESISTOR	22kΩ 1/16W J		R8052	NRSA63J-471X	MG RESISTOR	470Ω 1/16W J	
R981	NRS181J-222X	MG RESISTOR	2.2kΩ 1/8W J		R8053	NRSA63J-471X	MG RESISTOR	470Ω 1/16W J	
R982	NRS181J-222X	MG RESISTOR	2.2kΩ 1/8W J		R8055	NRSA63D-102X	MG RESISTOR	1kΩ 1/16W D	
R983	NRSA63J-472X	MG RESISTOR	4.7kΩ 1/16W J	ADV38J, AVX33J, AVX33U, AVX33A	R8056	NRSA63D-102X	MG RESISTOR	1kΩ 1/16W D	
					R8057	NRSA63J-121X	MG RESISTOR	120Ω 1/16W J	
					R8059	NRSA63J-151X	MG RESISTOR	150Ω 1/16W J	
R986	NRSA63J-333X	MG RESISTOR	33kΩ 1/16W J		R8061	NRSA02J-100X	MG RESISTOR	10Ω 1/10W J	
R987	NRSA63J-102X	MG RESISTOR	1kΩ 1/16W J		R8062	NRSA02J-100X	MG RESISTOR	10Ω 1/10W J	
R993	NRSA63J-331X	MG RESISTOR	330Ω 1/16W J		R8063	NRSA63J-333X	MG RESISTOR	33kΩ 1/16W J	
R3003	NRSA63J-102X	MG RESISTOR	1kΩ 1/16W J		R8064	NRSA63J-333X	MG RESISTOR	33kΩ 1/16W J	
R3004	NRSA63J-102X	MG RESISTOR	1kΩ 1/16W J		R8073	NRSA63J-683X	MG RESISTOR	68kΩ 1/16W J	
R3005	NRSA63J-472X	MG RESISTOR	4.7kΩ 1/16W J		R8074	NRSA63J-563X	MG RESISTOR	56kΩ 1/16W J	
R3006	NRSA63J-104X	MG RESISTOR	100kΩ 1/16W J		R8075	NRSA63J-823X	MG RESISTOR	82kΩ 1/16W J	
R3008	NRSA63J-104X	MG RESISTOR	100kΩ 1/16W J		R8076	NRSA63J-563X	MG RESISTOR	56kΩ 1/16W J	
R3009	NRSA63J-0R0X	MG RESISTOR	0Ω 1/16W J		R8077	NRSA63J-333X	MG RESISTOR	33kΩ 1/16W J	
R3011	NRSA63J-472X	MG RESISTOR	4.7kΩ 1/16W J		R8078	NRSA63J-333X	MG RESISTOR	33kΩ 1/16W J	
R3351	NRSA63J-470X	MG RESISTOR	47Ω 1/16W J		R8081	NRSA63J-472X	MG RESISTOR	4.7kΩ 1/16W J	
R3352	NRSA63J-103X	MG RESISTOR	10kΩ 1/16W J		R8082	NRSA63J-471X	MG RESISTOR	470Ω 1/16W J	
R3353	NRSA63J-103X	MG RESISTOR	10kΩ 1/16W J		R8083	NRSA63J-103X	MG RESISTOR	10kΩ 1/16W J	
R3354	NRSA63J-822X	MG RESISTOR	8.2kΩ 1/16W J		R8084	NRSA63J-472X	MG RESISTOR	4.7kΩ 1/16W J	
R3355	NRSA63J-681X	MG RESISTOR	680Ω 1/16W J		R8085	NRSA63J-471X	MG RESISTOR	470Ω 1/16W J	
R3356	NRSA63J-222X	MG RESISTOR	2.2kΩ 1/16W J		R8086	NRSA63J-103X	MG RESISTOR	10kΩ 1/16W J	
R3357	NRSA63J-222X	MG RESISTOR	2.2kΩ 1/16W J		R8087	NRSA63J-472X	MG RESISTOR	4.7kΩ 1/16W J	
R3358	NRSA63J-222X	MG RESISTOR	2.2kΩ 1/16W J		R8088	NRSA63J-471X	MG RESISTOR	470Ω 1/16W J	
R3359	NRSA63J-393X	MG RESISTOR	39kΩ 1/16W J		R8089	NRSA63J-103X	MG RESISTOR	10kΩ 1/16W J	
R3360	NRSA63J-0R0X	MG RESISTOR	0Ω 1/16W J		R8091	NRSA63J-0R0X	MG RESISTOR	0Ω 1/16W J	
R3362	NRSA63J-0R0X	MG RESISTOR	0Ω 1/16W J		R8094	NRSA63J-103X	MG RESISTOR	10kΩ 1/16W J	
R7001	NRSA63J-473X	MG RESISTOR	47kΩ 1/16W J	ADV38J, AVX33J	R8095	NRSA63J-222X	MG RESISTOR	2.2kΩ 1/16W J	
R7001	NRSA63J-333X	MG RESISTOR	33kΩ 1/16W J	AVX33E	R8096	NRSA63J-392X	MG RESISTOR	3.9kΩ 1/16W J	
R7001	NRSA63J-273X	MG RESISTOR	27kΩ 1/16W J	AVX33E E	R8097	NRSA63J-562X	MG RESISTOR	5.6kΩ 1/16W J	
R7001	NRSA63J-393X	MG RESISTOR	39kΩ 1/16W J	AVX33U, AVX33A	R8101	NRSA63J-223X	MG RESISTOR	22kΩ 1/16W J	
R7003	NRSA63J-332X	MG RESISTOR	3.3kΩ 1/16W J	ADV38J, AVX33J	R8102	NRSA63J-103X	MG RESISTOR	10kΩ 1/16W J	
R7003	NRSA63J-153X	MG RESISTOR	15kΩ 1/16W J	AVX33E	R8103	NRSA63J-103X	MG RESISTOR	10kΩ 1/16W J	
R7003	NRSA63J-223X	MG RESISTOR	22kΩ 1/16W J	AVX33E E	R8104	NRSA63J-102X	MG RESISTOR	1kΩ 1/16W J	
R7003	NRSA63J-822X	MG RESISTOR	8.2kΩ 1/16W J	AVX33U, AVX33A	R8105	NRSA63J-471X	MG RESISTOR	470Ω 1/16W J	
R8001	NRSA02J-0R0X	MG RESISTOR	0Ω 1/10W J		R8107	NRSA63J-103X	MG RESISTOR	10kΩ 1/16W J	
R8006	NRSA02J-0R0X	MG RESISTOR	0Ω 1/10W J		R8108	NRSA02J-0R0X	MG RESISTOR	0Ω 1/10W J	
R8010	NRSA63J-333X	MG RESISTOR	33kΩ 1/16W J		R8111	NRSA63J-0R0X	MG RESISTOR	0Ω 1/16W J	
R8011	NRSA63J-333X	MG RESISTOR	33kΩ 1/16W J		R8120	NRSA02J-0R0X	MG RESISTOR	0Ω 1/10W J	
R8012	NRSA63J-471X	MG RESISTOR	470Ω 1/16W J		R8130	NRSA63J-821X	MG RESISTOR	820Ω 1/16W J	
R8013	NRSA63J-471X	MG RESISTOR	470Ω 1/16W J		R8131	NRSA63J-821X	MG RESISTOR	820Ω 1/16W J	
R8015	NRSA63J-102X	MG RESISTOR	1kΩ 1/16W J		R8132	NRSA63J-821X	MG RESISTOR	820Ω 1/16W J	
R8016	NRSA63J-332X	MG RESISTOR	3.3kΩ 1/16W J		R8133	NRSA63J-821X	MG RESISTOR	820Ω 1/16W J	
R8017	NRSA63J-471X	MG RESISTOR	470Ω 1/16W J		R8205	NRSA02J-0R0X	MG RESISTOR	0Ω 1/10W J	
R8018	NRSA63J-470X	MG RESISTOR	47Ω 1/16W J		R8207	NRSA63J-103X	MG RESISTOR	10kΩ 1/16W J	
R8019	NRSA63J-472X	MG RESISTOR	4.7kΩ 1/16W J		R8208	NRSA63J-472X	MG RESISTOR	4.7kΩ 1/16W J	
R8021	NRSA63J-5R6X	MG RESISTOR	5.6Ω 1/16W J		R8209	NRSA63J-153X	MG RESISTOR	15kΩ 1/16W J	
					R8210	NRSA63J-471X	MG RESISTOR	470Ω 1/16W J	
					R8211	NRSA63J-0R0X	MG RESISTOR	0Ω 1/16W J	
					R8212	NRSA63J-103X	MG RESISTOR	10kΩ 1/16W J	
					R8214	NRSA63J-5R6X	MG RESISTOR	5.6Ω 1/16W J	
					R8217	NRSA63D-102X	MG RESISTOR	1kΩ 1/16W D	
					R8221	NRSA63J-103X	MG RESISTOR	10kΩ 1/16W J	

Symbol No.	Part No.	Part Name	Description	Local
R8226	NRSA63J-0R0X	MG RESISTOR	0Ω 1/16W J	
R8231	NRSA63J-105X	MG RESISTOR	1MΩ 1/16W J	
R9200	NRSA63J-100X	MG RESISTOR	10Ω 1/16W J	
R9201	NRSA63J-103X	MG RESISTOR	10kΩ 1/16W J	
R9202	NRSA63J-153X	MG RESISTOR	15kΩ 1/16W J	
R9203	NRSA63J-103X	MG RESISTOR	10kΩ 1/16W J	
R9204	NRSA63J-222X	MG RESISTOR	2.2kΩ 1/16W J	
R9205	NRSA63J-103X	MG RESISTOR	10kΩ 1/16W J	
R9206	NRSA63J-103X	MG RESISTOR	10kΩ 1/16W J	
R9211	NRSA63J-100X	MG RESISTOR	10Ω 1/16W J	
R9212	NRSA63J-103X	MG RESISTOR	10kΩ 1/16W J	
R9213	NRSA63J-0R0X	MG RESISTOR	0Ω 1/16W J	
R9215	NRSA63J-153X	MG RESISTOR	15kΩ 1/16W J	
R9216	NRSA63J-123X	MG RESISTOR	12kΩ 1/16W J	
R9911	NRSA63J-0R0X	MG RESISTOR	0Ω 1/16W J	
R9922	NRSA63D-181X	MG RESISTOR	180Ω 1/16W D	
R9927	NRSA63J-0R0X	MG RESISTOR	0Ω 1/16W J	
R9929	NRSA63J-473X	MG RESISTOR	47kΩ 1/16W J	
R9930	NRSA63J-473X	MG RESISTOR	47kΩ 1/16W J	
R9931	NRSA63J-153X	MG RESISTOR	15kΩ 1/16W J	
R9932	NRSA63J-562X	MG RESISTOR	5.6kΩ 1/16W J	
R9933	NRSA63J-472X	MG RESISTOR	4.7kΩ 1/16W J	
R9934	NRSA63J-101X	MG RESISTOR	100Ω 1/16W J	
RA721	NRZ0065-222X	NET RESISTOR	2.2kΩ	
L1	NQL334J-4R7X	COIL	4.7uH J	
L101	NQR0022-005X	FERRITE BEADS		
L201	NQR0022-005X	FERRITE BEADS		
L701	NQR0022-005X	FERRITE BEADS		
L702	NQL382M-220X	COIL	22uH M	
L801	NQLF3EM-220X	COIL	22uH M	
L824	NQL79GM-220X	COIL	22uH M	
L825	NQL79GM-220X	COIL	22uH M	
L826	NQL79GM-220X	COIL	22uH M	
L827	NQL79GM-220X	COIL	22uH M	
L828	NQL79GM-220X	COIL	22uH M	
L841	NQL79GM-100X	COIL	10uH M	
L842	NQL79GM-100X	COIL	10uH M	
L961	NQL52EM-220X	COIL	22uH M	
L8011	NQLF3EM-220X	COIL	22uH M	
L8021	NQLC8CM-220X	COIL	22uH M	
L8041	NQLF3EM-220X	COIL	22uH M	
L8051	NQLC8CM-220X	COIL	22uH M	
L9004	NQR0536-001X	CHOKE COIL		
BZ951	QAN0023-001Z	BUZZER		
CN860	QNZ0095-001	CONNECTOR		
CN861	QGA2001C1-02	CONNECTOR	W-B (1-2)	
CN871	QGA2001C1-05	CONNECTOR	W-B (1-5)	
CN881	QGA2501C1-02	CONNECTOR	W-B (1-2)	
CN891	QGA2001C1-04	CONNECTOR	W-B (1-4)	
CN901	QNZ0607-001	CAR CONNECTOR		
CN961	QGB2027M4-22S	CONNECTOR	B-B (1-22)	
CN962	QGF1041C4-24W	CONNECTOR	FFC/FPC (1-24)	
CN963	QGB2027M4-22S	CONNECTOR	B-B (1-22)	
CN981	QGB2046K1-22	CONNECTOR	B-B (1-22)	
CN982	QGB2046J1-22	CONNECTOR	B-B (1-22)	
CN984	QGA2015C1-24	CONNECTOR	W-B (1-24)	
F801	NMFZ018-1R0X-E	FUSE	1A	
K871	NQR0022-005X	FERRITE BEADS		
PP1	QZW0010-001	STYLE PIN		
PP2	QZW0010-001	STYLE PIN		
TH721	NAD0028-103X	N THERMISTOR	10kΩ	
TU1	QAU0484-002	TUNER		
W1	QAM0556-001	CAR CABLE		
X31	QAX0263-001Z	CRYSTAL	4.332MHz	AVX33E, AVX33E E
X701	NAX0917-001X	CRYSTAL		
X702	QAX0401-001	CRYSTAL	32.768KHz	

Connection control board

Block No. [0][2]

Symbol No.	Part No.	Part Name	Description	Local
IC901	AK4385ET-X	IC		
IC902	AK4385ET-X	IC		
IC903	AK4385ET-X	IC		
IC904	NJM4565V-X	IC		
IC905	NJM4565V-X	IC		
IC906	NJM4565V-X	IC		
C9005	NDC31HJ-331X	C CAPACITOR	330pF 50V J	
C9011	NEAF0JM-476X	E CAPACITOR	47uF 6.3V M	
C9012	NCB31CK-104X	C CAPACITOR	0.1uF 16V K	
C9014	NCB31CK-104X	C CAPACITOR	0.1uF 16V K	
C9015	NEAF0JM-476X	E CAPACITOR	47uF 6.3V M	
C9016	NCB31CK-104X	C CAPACITOR	0.1uF 16V K	
C9017	NEAF0JM-476X	E CAPACITOR	47uF 6.3V M	
C9021	NCB31HK-392X	C CAPACITOR	3900pF 50V K	
C9022	NCB31HK-392X	C CAPACITOR	3900pF 50V K	
C9023	NCB31HK-392X	C CAPACITOR	3900pF 50V K	
C9024	NCB31HK-392X	C CAPACITOR	3900pF 50V K	
C9025	NCB31HK-392X	C CAPACITOR	3900pF 50V K	
C9026	NCB31HK-392X	C CAPACITOR	3900pF 50V K	
C9027	NDC31HJ-471X	C CAPACITOR	470pF 50V J	
C9028	NDC31HJ-471X	C CAPACITOR	470pF 50V J	
C9029	NDC31HJ-471X	C CAPACITOR	470pF 50V J	
C9030	NDC31HJ-471X	C CAPACITOR	470pF 50V J	
C9031	NDC31HJ-471X	C CAPACITOR	470pF 50V J	
C9032	NDC31HJ-471X	C CAPACITOR	470pF 50V J	
C9034	NDC31HJ-471X	C CAPACITOR	470pF 50V J	
C9035	NDC31HJ-471X	C CAPACITOR	470pF 50V J	
C9036	NDC31HJ-471X	C CAPACITOR	470pF 50V J	
C9037	NDC31HJ-471X	C CAPACITOR	470pF 50V J	
C9038	NDC31HJ-471X	C CAPACITOR	470pF 50V J	
C9039	NDC31HJ-471X	C CAPACITOR	470pF 50V J	
C9041	NCB31CK-104X	C CAPACITOR	0.1uF 16V K	
C9047	NCB31HK-102X	C CAPACITOR	1000pF 50V K	
C9050	NCB31HK-103X	C CAPACITOR	0.01uF 50V K	
R9006	NRSA63J-473X	MG RESISTOR	47kΩ 1/16W J	
R9007	NRSA63J-0R0X	MG RESISTOR	0Ω 1/16W J	
R9008	NRSA63J-0R0X	MG RESISTOR	0Ω 1/16W J	
R9018	NRSA63J-472X	MG RESISTOR	4.7kΩ 1/16W J	
R9019	NRSA63J-472X	MG RESISTOR	4.7kΩ 1/16W J	
R9020	NRSA63J-472X	MG RESISTOR	4.7kΩ 1/16W J	
R9021	NRSA63J-472X	MG RESISTOR	4.7kΩ 1/16W J	
R9022	NRSA63J-472X	MG RESISTOR	4.7kΩ 1/16W J	
R9023	NRSA63J-472X	MG RESISTOR	4.7kΩ 1/16W J	
R9024	NRSA63J-472X	MG RESISTOR	4.7kΩ 1/16W J	
R9025	NRSA63J-472X	MG RESISTOR	4.7kΩ 1/16W J	
R9026	NRSA63J-472X	MG RESISTOR	4.7kΩ 1/16W J	
R9027	NRSA63J-472X	MG RESISTOR	4.7kΩ 1/16W J	
R9028	NRSA63J-472X	MG RESISTOR	4.7kΩ 1/16W J	
R9029	NRSA63J-472X	MG RESISTOR	4.7kΩ 1/16W J	
R9030	NRSA63J-223X	MG RESISTOR	22kΩ 1/16W J	
R9031	NRSA63J-223X	MG RESISTOR	22kΩ 1/16W J	
R9032	NRSA63J-223X	MG RESISTOR	22kΩ 1/16W J	
R9033	NRSA63J-223X	MG RESISTOR	22kΩ 1/16W J	
R9034	NRSA63J-223X	MG RESISTOR	22kΩ 1/16W J	
R9035	NRSA63J-223X	MG RESISTOR	22kΩ 1/16W J	
R9037	NRSA63J-472X	MG RESISTOR	4.7kΩ 1/16W J	
R9038	NRSA63J-472X	MG RESISTOR	4.7kΩ 1/16W J	
R9039	NRSA63J-472X	MG RESISTOR	4.7kΩ 1/16W J	
R9040	NRSA63J-472X	MG RESISTOR	4.7kΩ 1/16W J	
R9041	NRSA63J-472X	MG RESISTOR	4.7kΩ 1/16W J	
R9042	NRSA63J-472X	MG RESISTOR	4.7kΩ 1/16W J	
R9043	NRSA63J-101X	MG RESISTOR	100Ω 1/16W J	
R9044	NRSA63J-101X	MG RESISTOR	100Ω 1/16W J	
R9045	NRSA63J-101X	MG RESISTOR	100Ω 1/16W J	
R9046	NRSA63J-101X	MG RESISTOR	100Ω 1/16W J	
R9047	NRSA63J-101X	MG RESISTOR	100Ω 1/16W J	
R9048	NRSA63J-101X	MG RESISTOR	100Ω 1/16W J	
R9049	NRSA63J-101X	MG RESISTOR	100Ω 1/16W J	
R9050	NRSA63J-101X	MG RESISTOR	100Ω 1/16W J	
R9051	NRSA63J-101X	MG RESISTOR	100Ω 1/16W J	
R9052	NRSA63J-472X	MG RESISTOR	4.7kΩ 1/16W J	
R9053	NRSA63J-223X	MG RESISTOR	22kΩ 1/16W J	

△ Symbol No.	Part No.	Part Name	Description	Local	△ Symbol No.	Part No.	Part Name	Description	Local
R9054	NRSA63J-472X	MG RESISTOR	4.7kΩ 1/16W J		D402	NECBB205/WPQR/X	LED		AVX33J, AVX33E, AVX33E E,AVX33 U,AVX33 A
R9055	NRSA63J-223X	MG RESISTOR	22kΩ 1/16W J						
R9056	NRSA63J-472X	MG RESISTOR	4.7kΩ 1/16W J						
R9057	NRSA63J-223X	MG RESISTOR	22kΩ 1/16W J						
R9058	NRSA63J-101X	MG RESISTOR	100Ω 1/16W J						
R9059	NRSA63J-101X	MG RESISTOR	100Ω 1/16W J		D403	SML-512VW-A-X	LED		ADV38J
R9060	NRSA63J-101X	MG RESISTOR	100Ω 1/16W J		D403	NECBB205/WPQR/X	LED		AVX33J, AVX33E, AVX33E E,AVX33 U,AVX33 A
R9061	NRSA63J-223X	MG RESISTOR	22kΩ 1/16W J						
R9062	NRSA63J-472X	MG RESISTOR	4.7kΩ 1/16W J						
R9063	NRSA63J-223X	MG RESISTOR	22kΩ 1/16W J						
R9064	NRSA63J-472X	MG RESISTOR	4.7kΩ 1/16W J						
R9065	NRSA63J-223X	MG RESISTOR	22kΩ 1/16W J						
R9066	NRSA63J-472X	MG RESISTOR	4.7kΩ 1/16W J		D404	SML-512VW-A-X	LED		ADV38J
R9071	NRSA63J-0R0X	MG RESISTOR	0Ω 1/16W J		D404	NECBB205/WPQR/X	LED		AVX33J, AVX33E, AVX33E E,AVX33 U,AVX33 A
R9072	NRSA63J-0R0X	MG RESISTOR	0Ω 1/16W J						
R9084	NRSA63J-221X	MG RESISTOR	220Ω 1/16W J						
R9085	NRSA63J-331X	MG RESISTOR	330Ω 1/16W J						
R9086	NRSA63J-0R0X	MG RESISTOR	0Ω 1/16W J						
L9001	NQR0022-005X	FERRITE BEADS			D405	SML-512VW-A-X	LED		ADV38J
L9002	NQR0022-005X	FERRITE BEADS			D405	NECBB205/WPQR/X	LED		AVX33J, AVX33E, AVX33E E,AVX33 U,AVX33 A
L9003	NQR0022-005X	FERRITE BEADS							
CN965	QGF0534F3-60X	CONNECTOR	FFC/FPC (1-60)						
CN966	QGB2027LA-22X	CONNECTOR	B-B (1-22)		D406	SML-512VW-A-X	LED		ADV38J
CN968	QGB2027LA-22X	CONNECTOR	B-B (1-22)		D406	NECBB205/WPQR/X	LED		AVX33J, AVX33E, AVX33E E,AVX33 U,AVX33 A
CN969	QGF0534F3-14X	CONNECTOR	FFC/FPC (1-14)						

Panel A control board

Block No. [0][3]

△ Symbol No.	Part No.	Part Name	Description	Local	△ Symbol No.	Part No.	Part Name	Description	Local
IC471	CXM3017TQ	IC							
IC501	S-80824CNNB-G-W	IC			D408	SML-512VW-A-X	LED		ADV38J
IC502	MN103SB9NEW	IC			D408	NECBB205/WPQR/X	LED		AVX33J, AVX33E, AVX33E E,AVX33 U,AVX33 A
IC510	NJM4565V-X	IC							
IC581	SG32A90TFIR31R	IC(PROGRAMED)		ADV38J					
IC581	SG32A90TFIR32Q	IC(PROGRAMED)		AVX33J					
IC581	SA16D90TFI011F	IC(PROGRAMED)		AVX33E, AVX33E E,AVX33 U,AVX33 A	D410	SML-512VW-A-X	LED		ADV38J
					D410	NECBB205/WPQR/X	LED		AVX33J, AVX33E, AVX33E E,AVX33 U,AVX33 A
IC591	RS-771-X	RM.RECEIVER							
IC601	MB87P2040PMT	IC(DIGITAL)							
IC651	TB1323FG	IC							
IC652	MB90099PFV144EX	IC			D411	SML-512VW-A-X	LED		ADV38J
IC661	NJM2871BF25-X	IC			D411	NECBB205/WPQR/X	LED		AVX33J, AVX33E, AVX33E E,AVX33 U,AVX33 A
IC681	MM3273DN-X	IC							
Q401	2SA1530A/QR/-X	TRANSISTOR							
Q402	2SA1530A/QR/-X	TRANSISTOR							
Q404	RT1N141C-X	DIGI TRANSISTOR							
Q407	2SC3928A/QR/-X	TRANSISTOR			D412	SML-512VW-A-X	LED		ADV38J
Q408	RT1P141C-X	DIGI TRANSISTOR			D412	NECBB205/WPQR/X	LED		AVX33J, AVX33E, AVX33E E,AVX33 U,AVX33 A
Q451	2SA1530A/QR/-X	TRANSISTOR							
Q452	2SA1530A/QR/-X	TRANSISTOR							
Q453	2SA1530A/QR/-X	TRANSISTOR							
Q501	2SC3928A/QR/-X	TRANSISTOR							
Q651	2SC3928A/QR/-X	TRANSISTOR			D413	SML-512VW-A-X	LED		ADV38J
Q652	2SA1530A/QR/-X	TRANSISTOR			D413	NECBB205/WPQR/X	LED		AVX33J, AVX33E, AVX33E E,AVX33 U,AVX33 A
Q4731	2SC3928A/QR/-X	TRANSISTOR							
Q6001	2SA1530A/QR/-X	TRANSISTOR							
Q6002	2SC3928A/QR/-X	TRANSISTOR							
Q6003	2SA1530A/QR/-X	TRANSISTOR							
D401	SML-512VW-A-X	LED		ADV38J	D414	SML-512VW-A-X	LED		ADV38J
D401	NECBB205/WPQR/X	LED		AVX33J, AVX33E, AVX33E E,AVX33 U,AVX33 A	D414	NECBB205/WPQR/X	LED		AVX33J, AVX33E, AVX33E E,AVX33 U,AVX33 A
D402	SML-512VW-A-X	LED		ADV38J	D415	SML-512VW-A-X	LED		ADV38J

△ Symbol No.	Part No.	Part Name	Description	Local	△ Symbol No.	Part No.	Part Name	Description	Local
D415	NECBB205/WPQR/X	LED		AVX33J, AVX33E, AVX33E, E,AVX33 U,AVX33 A	C621	NCBA1AK-104W	C CAPACITOR	0.1uF 10V K	
					C622	NCBA1AK-104W	C CAPACITOR	0.1uF 10V K	
					C623	NCBA1CK-103W	C CAPACITOR	0.01uF 16V K	
					C624	NCBA1AK-104W	C CAPACITOR	0.1uF 10V K	
					C625	NCBA1AK-104W	C CAPACITOR	0.1uF 10V K	
D416	SML-512VW-A-X	LED		ADV38J	C626	NCB20JK-106X	C CAPACITOR	10uF 6.3V K	
D416	LSQ971/KL/-X	LED		AVX33J, AVX33E, AVX33E, E,AVX33 U,AVX33 A	C627	NCBA1CK-103W	C CAPACITOR	0.01uF 16V K	
					C628	NCB31CK-104X	C CAPACITOR	0.1uF 16V K	
					C629	NCB31HK-103X	C CAPACITOR	0.01uF 50V K	
					C630	NCB20JK-106X	C CAPACITOR	10uF 6.3V K	
					C631	NCBA1AK-104W	C CAPACITOR	0.1uF 10V K	
					C632	NCB30JK-105X	C CAPACITOR	1uF 6.3V K	
					C633	NDCA1HJ-101W	C CAPACITOR	100pF 50V J	
					C634	NCBA1AK-104W	C CAPACITOR	0.1uF 10V K	
					C635	NCB30JK-105X	C CAPACITOR	1uF 6.3V K	
					C636	NCBA1CK-103W	C CAPACITOR	0.01uF 16V K	
					C637	NCBA1CK-103W	C CAPACITOR	0.01uF 16V K	
					C638	NCB30JK-105X	C CAPACITOR	1uF 6.3V K	
					C639	NCBA1CK-103W	C CAPACITOR	0.01uF 16V K	
					C640	NDCA1HJ-101W	C CAPACITOR	100pF 50V J	
					C641	NCBA1CK-103W	C CAPACITOR	0.01uF 16V K	
					C642	NCBA1AK-104W	C CAPACITOR	0.1uF 10V K	
					C643	NCBA1AK-104W	C CAPACITOR	0.1uF 10V K	
					C644	NCBA1CK-103W	C CAPACITOR	0.01uF 16V K	
					C645	NCBA1AK-104W	C CAPACITOR	0.1uF 10V K	
					C646	NCBA1CK-103W	C CAPACITOR	0.01uF 16V K	
					C647	NCBA1AK-104W	C CAPACITOR	0.1uF 10V K	
					C651	NCB20JK-106X	C CAPACITOR	10uF 6.3V K	
					C652	NCBA1AK-104W	C CAPACITOR	0.1uF 10V K	
					C653	NCBA1AK-104W	C CAPACITOR	0.1uF 10V K	
					C654	NCB20JM-475X	C CAPACITOR	4.7uF 6.3V M	
					C655	NCB30JK-105X	C CAPACITOR	1uF 6.3V K	
					C656	NCB20JK-106X	C CAPACITOR	10uF 6.3V K	
					C657	NCB20JK-106X	C CAPACITOR	10uF 6.3V K	
					C658	NCBA1AK-104W	C CAPACITOR	0.1uF 10V K	
					C659	NCBA1AK-104W	C CAPACITOR	0.1uF 10V K	
					C660	NCBA1AK-104W	C CAPACITOR	0.1uF 10V K	
					C661	NCBA1AK-473W	C CAPACITOR	0.047uF 10V K	
					C662	NCB20JM-475X	C CAPACITOR	4.7uF 6.3V M	
					C663	NCB20JM-475X	C CAPACITOR	4.7uF 6.3V M	
					C664	NCB20JM-475X	C CAPACITOR	4.7uF 6.3V M	
					C665	NCBA1CK-103W	C CAPACITOR	0.01uF 16V K	
					C666	NCB11AK-106X	C CAPACITOR	10uF 10V K	
					C667	NCB11AK-106X	C CAPACITOR	10uF 10V K	
					C668	NCBA1AK-104W	C CAPACITOR	0.1uF 10V K	
					C669	NCB20JK-106X	C CAPACITOR	10uF 6.3V K	
					C670	NCBA1AK-104W	C CAPACITOR	0.1uF 10V K	
					C672	NCB31AK-474X	C CAPACITOR	0.47uF 10V K	
					C673	NCB20JM-226X	TA E CAPACITOR	22uF 6.3V M	
					C674	NCBA1AK-104W	C CAPACITOR	0.1uF 10V K	
					C675	NDC31HJ-5R0X	C CAPACITOR	5pF 50V J	
					C676	NCBA1CK-103W	C CAPACITOR	0.01uF 16V K	
					C677	NCB31CK-224X	C CAPACITOR	0.22uF 16V K	
					C678	NDC31HJ-680X	C CAPACITOR	68pF 50V J	
					C679	NCB30JK-105X	C CAPACITOR	1uF 6.3V K	
					C680	NCBA1AK-104W	C CAPACITOR	0.1uF 10V K	
					C681	NBE21AM-226X	TA E CAPACITOR	22uF 10V M	
					C682	NCBA1CK-103W	C CAPACITOR	0.01uF 16V K	
					C683	NCBA1CK-103W	C CAPACITOR	0.01uF 16V K	
					C684	NCB31AK-474X	C CAPACITOR	0.47uF 10V K	
					C685	NCBA1CK-103W	C CAPACITOR	0.01uF 16V K	
					C686	NCBA1AK-104W	C CAPACITOR	0.1uF 10V K	
					C687	NCBA1AK-104W	C CAPACITOR	0.1uF 10V K	
					C688	NCBA1AK-104W	C CAPACITOR	0.1uF 10V K	
					C689	NCB20JM-225X	C CAPACITOR	2.2uF 6.3V M	
					C690	NCB31CK-224X	C CAPACITOR	0.22uF 16V K	
					C691	NCBA1CK-103W	C CAPACITOR	0.01uF 16V K	
					C692	NCBA1CK-103W	C CAPACITOR	0.01uF 16V K	
					C693	NCB31CK-224X	C CAPACITOR	0.22uF 16V K	
					C4705	NCBA1CK-103W	C CAPACITOR	0.01uF 16V K	
					C4706	NCBA1HK-102W	C CAPACITOR	1000pF 50V K	
					C4731	NCB30JK-105X	C CAPACITOR	1uF 6.3V K	
					C4732	NCBA1HK-102W	C CAPACITOR	1000pF 50V K	
					C4733	NCB11AK-106X	C CAPACITOR	10uF 10V K	
					C4734	NCB11AK-106X	C CAPACITOR	10uF 10V K	
					C4735	NCBA1AK-104W	C CAPACITOR	0.1uF 10V K	
					C5108	NCB31HK-103X	C CAPACITOR	0.01uF 50V K	
					C5111	NCBA1AK-104W	C CAPACITOR	0.1uF 10V K	

△ Symbol No.	Part No.	Part Name	Description	Local	△ Symbol No.	Part No.	Part Name	Description	Local
C5112	NBE20JM-476X	TA E CAPACITOR	47uF 6.3V M		R418	NRSA6AJ-821W	MG RESISTOR	820Ω 1/16W J	AVX33J, AVX33E, AVX33E E,AVX33 U,AVX33 A
C5115	NBE20JM-476X	TA E CAPACITOR	47uF 6.3V M		R420	NRSA6AJ-152W	MG RESISTOR	1.5kΩ 1/16W J	ADV38J
C5116	NCBA1HK-102W	C CAPACITOR	1000pF 50V K		R420	NRSA6AJ-561W	MG RESISTOR	560Ω 1/16W J	AVX33J, AVX33E, AVX33E E,AVX33 U,AVX33 A
C5301	NDCA1HJ-331W	C CAPACITOR	330pF 50V J		R422	NRSA6AJ-562W	MG RESISTOR	5.6kΩ 1/16W J	
C5302	NCBA1HK-221W	C CAPACITOR	220pF 50V K		R423	NRSA6AJ-473W	MG RESISTOR	47kΩ 1/16W J	
C5303	NBE20JM-226X	TA E CAPACITOR	22uF 6.3V M		R428	NRSA6AJ-332W	MG RESISTOR	3.3kΩ 1/16W J	
C5304	NCBA1HK-221W	C CAPACITOR	220pF 50V K		R430	NRSA6AJ-561W	MG RESISTOR	560Ω 1/16W J	
C5401	NDCA1HJ-331W	C CAPACITOR	330pF 50V J		R431	NRSA6AJ-561W	MG RESISTOR	560Ω 1/16W J	
C5402	NCBA1HK-221W	C CAPACITOR	220pF 50V K		R432	NRSA6AJ-332W	MG RESISTOR	3.3kΩ 1/16W J	
C5403	NBE20JM-226X	TA E CAPACITOR	22uF 6.3V M		R434	NRSA6AJ-561W	MG RESISTOR	560Ω 1/16W J	
C5404	NCBA1HK-221W	C CAPACITOR	220pF 50V K		R435	NRSA6AJ-561W	MG RESISTOR	560Ω 1/16W J	
C5501	NCBA1AK-104W	C CAPACITOR	0.1uF 10V K		R436	NRSA6AJ-562W	MG RESISTOR	5.6kΩ 1/16W J	
C6001	NCBA1CK-103W	C CAPACITOR	0.01uF 16V K		R437	NRSA6AJ-473W	MG RESISTOR	47kΩ 1/16W J	
C6002	NCB20JK-106X	C CAPACITOR	10uF 6.3V K		R438	NRSA6AJ-222W	MG RESISTOR	2.2kΩ 1/16W J	
C6003	NCBA1CK-103W	C CAPACITOR	0.01uF 16V K		R439	NRSA6AJ-103W	MG RESISTOR	10kΩ 1/16W J	
C6004	NCB20JK-106X	C CAPACITOR	10uF 6.3V K		R440	NRSA6AJ-222W	MG RESISTOR	2.2kΩ 1/16W J	ADV38J
C6005	NCB20JK-106X	C CAPACITOR	10uF 6.3V K		R440	NRSA6AJ-332W	MG RESISTOR	3.3kΩ 1/16W J	AVX33J, AVX33E, AVX33E E,AVX33 U,AVX33 A
C6601	NCBA1AK-104W	C CAPACITOR	0.1uF 10V K		R401	NRSA6AJ-332W	MG RESISTOR	3.3kΩ 1/16W J	ADV38J
C6604	NCBA1AK-104W	C CAPACITOR	0.1uF 10V K		R401	NRSA6AJ-152W	MG RESISTOR	1.5kΩ 1/16W J	AVX33J, AVX33E, AVX33E E,AVX33 U,AVX33 A
C6801	NCBA1AK-104W	C CAPACITOR	0.1uF 10V K		R404	NRSA6AJ-182W	MG RESISTOR	1.8kΩ 1/16W J	ADV38J
C6802	NCBA1AK-104W	C CAPACITOR	0.1uF 10V K		R404	NRSA6AJ-102W	MG RESISTOR	1kΩ 1/16W J	AVX33J, AVX33E, AVX33E E,AVX33 U,AVX33 A
R401	NRSA6AJ-332W	MG RESISTOR	3.3kΩ 1/16W J	ADV38J	R441	NRSA6AJ-332W	MG RESISTOR	3.3kΩ 1/16W J	AVX33J, AVX33E, AVX33E E,AVX33 U,AVX33 A
R401	NRSA6AJ-152W	MG RESISTOR	1.5kΩ 1/16W J	AVX33J, AVX33E, AVX33E E,AVX33 U,AVX33 A	R444	NRSA6AJ-122W	MG RESISTOR	1.2kΩ 1/16W J	ADV38J
R404	NRSA6AJ-182W	MG RESISTOR	1.8kΩ 1/16W J	ADV38J	R444	NRSA6AJ-681W	MG RESISTOR	680Ω 1/16W J	AVX33J, AVX33E, AVX33E E,AVX33 U,AVX33 A
R404	NRSA6AJ-102W	MG RESISTOR	1kΩ 1/16W J	AVX33J, AVX33E, AVX33E E,AVX33 U,AVX33 A	R445	NRSA6AJ-681W	MG RESISTOR	680Ω 1/16W J	AVX33J, AVX33E, AVX33E E,AVX33 U,AVX33 A
R406	NRSA6AJ-272W	MG RESISTOR	2.7kΩ 1/16W J	ADV38J	R451	NRSA63J-152X	MG RESISTOR	1.5kΩ 1/16W J	
R406	NRSA6AJ-821W	MG RESISTOR	820Ω 1/16W J	AVX33J, AVX33E, AVX33E E,AVX33 U,AVX33 A	R452	NRSA63J-301X	MG RESISTOR	300Ω 1/16W J	
R408	NRSA6AJ-152W	MG RESISTOR	1.5kΩ 1/16W J	ADV38J	R453	NRSA63J-271X	MG RESISTOR	270Ω 1/16W J	
R408	NRSA6AJ-561W	MG RESISTOR	560Ω 1/16W J	AVX33J, AVX33E, AVX33E E,AVX33 U,AVX33 A	R454	NRSA63J-391X	MG RESISTOR	390Ω 1/16W J	
R410	NRSA6AJ-562W	MG RESISTOR	5.6kΩ 1/16W J	ADV38J	R455	NRSA6AJ-561W	MG RESISTOR	560Ω 1/16W J	
R412	NRSA6AJ-332W	MG RESISTOR	3.3kΩ 1/16W J	ADV38J	R456	NRSA6AJ-473W	MG RESISTOR	47kΩ 1/16W J	
R412	NRSA6AJ-122W	MG RESISTOR	1.2kΩ 1/16W J	AVX33J, AVX33E, AVX33E E,AVX33 U,AVX33 A	R457	NRSA63J-152X	MG RESISTOR	1.5kΩ 1/16W J	
R413	NRSA6AJ-332W	MG RESISTOR	3.3kΩ 1/16W J	ADV38J	R458	NRSA63J-301X	MG RESISTOR	300Ω 1/16W J	
R413	NRSA6AJ-152W	MG RESISTOR	1.5kΩ 1/16W J	AVX33J, AVX33E, AVX33E E,AVX33 U,AVX33 A	R459	NRSA63J-271X	MG RESISTOR	270Ω 1/16W J	
R414	NRSA6AJ-272W	MG RESISTOR	2.7kΩ 1/16W J	ADV38J	R460	NRSA6AJ-391W	MG RESISTOR	390Ω 1/16W J	
R414	NRSA6AJ-821W	MG RESISTOR	820Ω 1/16W J	AVX33J, AVX33E, AVX33E E,AVX33 U,AVX33 A	R461	NRSA6AJ-561W	MG RESISTOR	560Ω 1/16W J	
R416	NRSA6AJ-152W	MG RESISTOR	1.5kΩ 1/16W J	ADV38J	R462	NRSA6AJ-473W	MG RESISTOR	47kΩ 1/16W J	
R416	NRSA6AJ-561W	MG RESISTOR	560Ω 1/16W J	AVX33J, AVX33E, AVX33E E,AVX33 U,AVX33 A	R463	NRSA63J-152X	MG RESISTOR	1.5kΩ 1/16W J	
R418	NRSA6AJ-272W	MG RESISTOR	2.7kΩ 1/16W J	ADV38J	R464	NRSA63J-301X	MG RESISTOR	300Ω 1/16W J	
					R465	NRSA63J-271X	MG RESISTOR	270Ω 1/16W J	
					R466	NRSA6AJ-391W	MG RESISTOR	390Ω 1/16W J	
					R467	NRSA63J-132X	MG RESISTOR	1.3kΩ 1/16W J	
					R468	NRSA6AJ-473W	MG RESISTOR	47kΩ 1/16W J	
					R469	NRSA6AJ-474W	MG RESISTOR	470kΩ 1/16W J	
					R471	NRSA6AJ-104W	MG RESISTOR	100kΩ 1/16W J	
					R472	NRSA63F-433X	MG RESISTOR	43kΩ 1/16W F	
					R473	NRSA63F-433X	MG RESISTOR	43kΩ 1/16W F	
					R474	NRSA6AJ-103W	MG RESISTOR	10kΩ 1/16W J	
					R475	NRSA6AJ-103W	MG RESISTOR	10kΩ 1/16W J	
					R491	NRSA6AJ-0R0W	MG RESISTOR	0Ω 1/16W J	
					R493	NRSA6AJ-0R0W	MG RESISTOR	0Ω 1/16W J	
					R495	NRSA6AJ-0R0W	MG RESISTOR	0Ω 1/16W J	
					R501	NRSA6AJ-473W	MG RESISTOR	47kΩ 1/16W J	
					R502	NRSA6AJ-474W	MG RESISTOR	470kΩ 1/16W J	
					R504	NRSA6AJ-102W	MG RESISTOR	1kΩ 1/16W J	
					R505	NRSA6AJ-473W	MG RESISTOR	47kΩ 1/16W J	

△ Symbol No.	Part No.	Part Name	Description	Local	△ Symbol No.	Part No.	Part Name	Description	Local
R506	NRSA6AJ-222W	MG RESISTOR	2.2kΩ 1/16W J		R673	NRSA6AJ-101W	MG RESISTOR	100Ω 1/16W J	
R507	NRSA6AJ-102W	MG RESISTOR	1kΩ 1/16W J		R674	NRSA6AJ-101W	MG RESISTOR	100Ω 1/16W J	
R508	NRSA6AJ-101W	MG RESISTOR	100Ω 1/16W J		R675	NRSA6AJ-0R0W	MG RESISTOR	0Ω 1/16W J	
R510	NRSA6AJ-101W	MG RESISTOR	100Ω 1/16W J		R676	NRSA6AJ-472W	MG RESISTOR	4.7kΩ 1/16W J	
R511	NRSA6AJ-101W	MG RESISTOR	100Ω 1/16W J		R677	NRSA6AJ-472W	MG RESISTOR	4.7kΩ 1/16W J	
R512	NRSA6AJ-101W	MG RESISTOR	100Ω 1/16W J		R679	NRSA6AJ-102W	MG RESISTOR	1kΩ 1/16W J	
R513	NRSA6AJ-471W	MG RESISTOR	470Ω 1/16W J		R681	NRSA6AJ-331W	MG RESISTOR	330Ω 1/16W J	
R514	NRSA6AJ-471W	MG RESISTOR	470Ω 1/16W J		R688	NRSA6AJ-221W	MG RESISTOR	220Ω 1/16W J	
R515	NRSA6AJ-102W	MG RESISTOR	1kΩ 1/16W J		R689	NRSA6AJ-221W	MG RESISTOR	220Ω 1/16W J	
R517	NRSA6AJ-101W	MG RESISTOR	100Ω 1/16W J		R690	NRSA6AJ-221W	MG RESISTOR	220Ω 1/16W J	
R518	NRSA6AJ-101W	MG RESISTOR	100Ω 1/16W J		R691	NRSA6AJ-102W	MG RESISTOR	1kΩ 1/16W J	
R519	NRSA6AJ-102W	MG RESISTOR	1kΩ 1/16W J		R692	NRSA6AJ-102W	MG RESISTOR	1kΩ 1/16W J	
R520	NRSA6AJ-102W	MG RESISTOR	1kΩ 1/16W J		R693	NRSA6AJ-102W	MG RESISTOR	1kΩ 1/16W J	
R521	NRSA6AJ-102W	MG RESISTOR	1kΩ 1/16W J		R694	NRSA6AJ-102W	MG RESISTOR	1kΩ 1/16W J	
R522	NRSA6AJ-102W	MG RESISTOR	1kΩ 1/16W J		R695	NRSA6AJ-102W	MG RESISTOR	1kΩ 1/16W J	
R523	NRSA6AJ-102W	MG RESISTOR	1kΩ 1/16W J		R697	NRSA6AJ-102W	MG RESISTOR	1kΩ 1/16W J	
R524	NRSA6AJ-102W	MG RESISTOR	1kΩ 1/16W J		R698	NRSA6AJ-0R0W	MG RESISTOR	0Ω 1/16W J	
R525	NRSA6AJ-471W	MG RESISTOR	470Ω 1/16W J		R4708	NRSA6AJ-102W	MG RESISTOR	1kΩ 1/16W J	
R526	NRSA6AJ-471W	MG RESISTOR	470Ω 1/16W J		R4709	NRSA6AJ-102W	MG RESISTOR	1kΩ 1/16W J	
R527	NRSA6AJ-471W	MG RESISTOR	470Ω 1/16W J		R4710	NRSA6AJ-102W	MG RESISTOR	1kΩ 1/16W J	
R528	NRSA6AJ-471W	MG RESISTOR	470Ω 1/16W J		R4711	NRSA6AJ-102W	MG RESISTOR	1kΩ 1/16W J	
R529	NRSA6AJ-471W	MG RESISTOR	470Ω 1/16W J		R4731	NRSA6AJ-105W	MG RESISTOR	1MΩ 1/16W J	
R530	NRSA6AJ-471W	MG RESISTOR	470Ω 1/16W J		R4736	NRSA6AJ-681W	MG RESISTOR	680Ω 1/16W J	
R531	NRSA6AJ-471W	MG RESISTOR	470Ω 1/16W J		R5102	NRSA6AJ-563W	MG RESISTOR	47kΩ 1/16W J	
R532	NRSA6AJ-473W	MG RESISTOR	47kΩ 1/16W J		R5103	NRSA6AJ-563W	MG RESISTOR	56kΩ 1/16W J	
R533	NRSA6AJ-0R0W	MG RESISTOR	0Ω 1/16W J		R5104	NRSA6AJ-473W	MG RESISTOR	47kΩ 1/16W J	
R534	NRSA6AJ-101W	MG RESISTOR	100Ω 1/16W J		R5105	NRSA6AJ-473W	MG RESISTOR	47kΩ 1/16W J	
R535	NRSA6AJ-471W	MG RESISTOR	470Ω 1/16W J		R5107	NRSA6AJ-101W	MG RESISTOR	100Ω 1/16W J	
R536	NRSA6AJ-471W	MG RESISTOR	470Ω 1/16W J		R5108	NRSA6AJ-471W	MG RESISTOR	470Ω 1/16W J	
R537	NRSA6AJ-471W	MG RESISTOR	470Ω 1/16W J		R5109	NRSA6AJ-471W	MG RESISTOR	470Ω 1/16W J	
R538	NRSA6AJ-471W	MG RESISTOR	470Ω 1/16W J		R5111	NRSA6AJ-473W	MG RESISTOR	47kΩ 1/16W J	
R539	NRSA6AJ-473W	MG RESISTOR	47kΩ 1/16W J		R5112	NRSA6AJ-473W	MG RESISTOR	47kΩ 1/16W J	
R540	NRSA6AJ-102W	MG RESISTOR	1kΩ 1/16W J		R5113	NRSA6AJ-103W	MG RESISTOR	10kΩ 1/16W J	
R541	NRSA6AJ-471W	MG RESISTOR	470Ω 1/16W J		R5114	NRSA6AJ-0R0W	MG RESISTOR	0Ω 1/16W J	
R542	NRSA6AJ-102W	MG RESISTOR	1kΩ 1/16W J		R5301	NRSA6AJ-333W	MG RESISTOR	33kΩ 1/16W J	
R547	NRSA6AJ-473W	MG RESISTOR	47kΩ 1/16W J		R5302	NRSA6AJ-103W	MG RESISTOR	10kΩ 1/16W J	
R548	NRSA6AJ-102W	MG RESISTOR	1kΩ 1/16W J		R5303	NRSA6AJ-822W	MG RESISTOR	8.2kΩ 1/16W J	
R549	NRSA6AJ-473W	MG RESISTOR	47kΩ 1/16W J		R5304	NRSA6AJ-333W	MG RESISTOR	33kΩ 1/16W J	
R550	NRSA6AJ-102W	MG RESISTOR	1kΩ 1/16W J		R5401	NRSA6AJ-333W	MG RESISTOR	33kΩ 1/16W J	
R583	NRSA6AJ-103W	MG RESISTOR	10kΩ 1/16W J		R5402	NRSA6AJ-103W	MG RESISTOR	10kΩ 1/16W J	
R592	NRSA6AJ-0R0W	MG RESISTOR	0Ω 1/16W J		R5403	NRSA6AJ-822W	MG RESISTOR	8.2kΩ 1/16W J	
R593	NRSA6AJ-473W	MG RESISTOR	47kΩ 1/16W J		R5404	NRSA6AJ-333W	MG RESISTOR	33kΩ 1/16W J	
R594	NRSA6AJ-470W	MG RESISTOR	47Ω 1/16W J		R6001	NRSA6AJ-223W	MG RESISTOR	22kΩ 1/16W J	
R601	NRSA63J-121X	MG RESISTOR	120Ω 1/16W J		R6002	NRSA6AJ-103W	MG RESISTOR	10kΩ 1/16W J	
R602	NRSA63J-121X	MG RESISTOR	120Ω 1/16W J		R6003	NRSA6AJ-102W	MG RESISTOR	1kΩ 1/16W J	
R603	NRSA63J-121X	MG RESISTOR	120Ω 1/16W J		R6004	NRSA6AJ-473W	MG RESISTOR	47kΩ 1/16W J	
R604	NRSA6AJ-220W	MG RESISTOR	22Ω 1/16W J		R6005	NRSA6AJ-473W	MG RESISTOR	47kΩ 1/16W J	
R605	NRSA6AJ-220W	MG RESISTOR	22Ω 1/16W J		R6006	NRSA6AJ-103W	MG RESISTOR	10kΩ 1/16W J	
R606	NRSA6AJ-272W	MG RESISTOR	2.7kΩ 1/16W J		R6009	NRSA6AJ-473W	MG RESISTOR	47kΩ 1/16W J	
R607	NRSA6AJ-220W	MG RESISTOR	22Ω 1/16W J		R6504	NRSA6AJ-0R0W	MG RESISTOR	0Ω 1/16W J	
R608	NRSA6AJ-0R0W	MG RESISTOR	0Ω 1/16W J		R6505	NRSA6AJ-272W	MG RESISTOR	2.7kΩ 1/16W J	
R609	NRSA6AJ-331W	MG RESISTOR	330Ω 1/16W J		R6506	NRSA6AJ-821W	MG RESISTOR	820Ω 1/16W J	
R611	NRSA6AJ-0R0W	MG RESISTOR	0Ω 1/16W J		R6507	NRSA6AJ-0R0W	MG RESISTOR	0Ω 1/16W J	
R612	NRSA6AJ-0R0W	MG RESISTOR	0Ω 1/16W J		R6508	NRSA6AJ-272W	MG RESISTOR	2.7kΩ 1/16W J	
R616	NRSA6AJ-0R0W	MG RESISTOR	0Ω 1/16W J		R6509	NRSA6AJ-821W	MG RESISTOR	820Ω 1/16W J	
R617	NRSA6AJ-103W	MG RESISTOR	10kΩ 1/16W J		R6510	NRSA6AJ-0R0W	MG RESISTOR	0Ω 1/16W J	
R618	NRSA6AJ-103W	MG RESISTOR	10kΩ 1/16W J		R6511	NRSA6AJ-272W	MG RESISTOR	2.7kΩ 1/16W J	
R619	NRSA6AJ-103W	MG RESISTOR	10kΩ 1/16W J		R6512	NRSA6AJ-821W	MG RESISTOR	820Ω 1/16W J	
R620	NRSA6AJ-103W	MG RESISTOR	10kΩ 1/16W J		R6601	NRSA6AJ-392W	MG RESISTOR	3.9kΩ 1/16W J	
R621	NRSA6AJ-103W	MG RESISTOR	10kΩ 1/16W J		R6602	NRSA6AJ-392W	MG RESISTOR	3.9kΩ 1/16W J	
R622	NRSA6AJ-103W	MG RESISTOR	10kΩ 1/16W J		R6603	NRSA6AJ-392W	MG RESISTOR	3.9kΩ 1/16W J	
R623	NRSA6AJ-103W	MG RESISTOR	10kΩ 1/16W J		R6604	NRSA6AJ-102W	MG RESISTOR	1kΩ 1/16W J	
R624	NRSA6AJ-102W	MG RESISTOR	1kΩ 1/16W J		R6605	NRSA6AJ-102W	MG RESISTOR	1kΩ 1/16W J	
R627	NRSA6AJ-103W	MG RESISTOR	10kΩ 1/16W J		R6606	NRSA6AJ-102W	MG RESISTOR	1kΩ 1/16W J	
R628	NRSA6AJ-103W	MG RESISTOR	10kΩ 1/16W J		R6607	NRSA6AJ-0R0W	MG RESISTOR	0Ω 1/16W J	
R650	NRSA63J-101X	MG RESISTOR	100Ω 1/16W J		RA501	NRZ0065-471X	NET RESISTOR	470Ω	
R651	NRSA6AJ-472W	MG RESISTOR	4.7kΩ 1/16W J		RA502	NRZ0065-471X	NET RESISTOR	470Ω	
R652	NRSA6AJ-472W	MG RESISTOR	4.7kΩ 1/16W J		RA503	NRZ0065-471X	NET RESISTOR	470Ω	
R653	NRSA6AJ-103W	MG RESISTOR	10kΩ 1/16W J		RA504	NRZ0065-471X	NET RESISTOR	470Ω	
R654	NRSA6AJ-470W	MG RESISTOR	47Ω 1/16W J		RA505	NRZ0065-471X	NET RESISTOR	470Ω	
R655	NRSA6AJ-470W	MG RESISTOR	47Ω 1/16W J		RA506	NRZ0065-471X	NET RESISTOR	470Ω	
R657	NRSA6AJ-101W	MG RESISTOR	100Ω 1/16W J		RA507	NRZ0065-471X	NET RESISTOR	470Ω	
R658	NRSA6AJ-103W	MG RESISTOR	10kΩ 1/16W J		RA508	NRZ0065-471X	NET RESISTOR	470Ω	
R663	NRSA6AJ-821W	MG RESISTOR	820Ω 1/16W J		RA509	NRZ0065-471X	NET RESISTOR	470Ω	
R667	NRSA6AJ-102W	MG RESISTOR	1kΩ 1/16W J						
R670	NRSA6AJ-333W	MG RESISTOR	33kΩ 1/16W J		L471	NQL382M-220X	COIL	22uH M	
R671	NRSA6AJ-471W	MG RESISTOR	470Ω 1/16W J		L472	NQL382M-220X	COIL	22uH M	
R672	NRSA6AJ-224W	MG RESISTOR	220kΩ 1/16W J		L473	NQL382M-220X	COIL	22uH M	

Symbol No.	Part No.	Part Name	Description	Local
L474	NQL382M-220X	COIL	22uH M	
L501	NQL382M-100X	COIL	10uH M	
L601	NQR0022-005X	FERRITE BEADS		
L602	NQL382M-100X	COIL	10uH M	
L603	NQL382M-100X	COIL	10uH M	
L651	NQL382M-220X	COIL	22uH M	
L652	NQL382M-220X	COIL	22uH M	
L653	NQL382M-220X	COIL	22uH M	
L654	NQL382M-220X	COIL	22uH M	
L655	NQL382M-220X	COIL	22uH M	
L656	NQL382M-220X	COIL	22uH M	
L657	NQL382M-220X	COIL	22uH M	
L6601	NQL382M-220X	COIL	22uH M	
CN471	QGF0523F3-24W	CONNECTOR	FFC/FPC (1-24)	
CN472	QGF0523F3-06W	CONNECTOR	FFC/FPC (1-6)	
CN504	QGB0525M1-40X	CONNECTOR	B-B (1-40)	
CN505	QGB2029L3-16X	CONNECTOR	B-B (1-16)	
K601	NQR0022-005X	FERRITE BEADS		
K602	NQR0022-005X	FERRITE BEADS		
K603	NQR0022-005X	FERRITE BEADS		
K604	NQR0022-005X	FERRITE BEADS		
K605	NQR0022-005X	FERRITE BEADS		
S451	NSW0246-001X	TACK SW		
S452	NSW0246-001X	TACK SW		
S453	NSW0246-001X	TACK SW		
S454	NSW0246-001X	TACK SW		
S455	NSW0246-001X	TACK SW		
S456	NSW0246-001X	TACK SW		
S457	NSW0246-001X	TACK SW		
S458	NSW0246-001X	TACK SW		
S459	NSW0246-001X	TACK SW		
S460	NSW0246-001X	TACK SW		
S461	NSW0246-001X	TACK SW		
S462	NSW0246-001X	TACK SW		
S463	NSW0246-001X	TACK SW		
S464	NSW0246-001X	TACK SW		
S465	NSW0246-001X	TACK SW		
S501	NSW0246-001X	TACK SW		
X501	NAX0841-001X	C RESONATOR		
X601	NAX0918-001X	C RESONATOR		
X651	NAX0728-001X	CRYSTAL	4.43361875MHz	

Panel B control board

Symbol No.	Part No.	Part Name	Description	Local
D5001	UDZW5.6B-X	Z DIODE		
D5001	or MA8056-X	Z DIODE		
D5002	UDZW5.6B-X	Z DIODE		
D5002	or MA8056-X	Z DIODE		
D5003	UDZW5.6B-X	Z DIODE		
D5003	or MA8056-X	Z DIODE		
D5004	UDZW5.6B-X	Z DIODE		
D5004	or MA8056-X	Z DIODE		
D5005	UDZW5.6B-X	Z DIODE		
D5005	or MA8056-X	Z DIODE		
D5006	UDZW5.6B-X	Z DIODE		
D5006	or MA8056-X	Z DIODE		
D5007	UDZW5.6B-X	Z DIODE		
D5007	or MA8056-X	Z DIODE		
D5008	UDZW20B-X	Z DIODE		
D5008	or MA8200-X	Z DIODE		
D5009	UDZW5.6B-X	Z DIODE		
D5009	or MA8056-X	Z DIODE		
D5010	UDZW5.6B-X	Z DIODE		
D5010	or MA8056-X	Z DIODE		
D5011	UDZW5.6B-X	Z DIODE		
D5011	or MA8056-X	Z DIODE		
D5012	UDZW11B-X	Z DIODE		
D5012	or MA8110-X	Z DIODE		

Block No. [0][4]

Symbol No.	Part No.	Part Name	Description	Local
D5013	UDZW5.6B-X	Z DIODE		
D5013	or MA8056-X	Z DIODE		
D5014	UDZW11B-X	Z DIODE		
D5014	or MA8110-X	Z DIODE		
D5015	UDZW5.6B-X	Z DIODE		
D5015	or MA8056-X	Z DIODE		
D5016	UDZW5.6B-X	Z DIODE		
D5016	or MA8056-X	Z DIODE		
D5018	UDZW5.6B-X	Z DIODE		
D5018	or MA8056-X	Z DIODE		
D5019	UDZW5.6B-X	Z DIODE		
D5019	or MA8056-X	Z DIODE		
D5020	UDZW5.6B-X	Z DIODE		
D5020	or MA8056-X	Z DIODE		
D5021	UDZW5.6B-X	Z DIODE		
D5021	or MA8056-X	Z DIODE		
D5022	UDZW5.6B-X	Z DIODE		
D5022	or MA8056-X	Z DIODE		
D5023	MA111-X	SI DIODE		
D5023	or 1SS355W-X	DIODE		
D5024	MA111-X	SI DIODE		
D5024	or 1SS355W-X	DIODE		
D5025	MA111-X	SI DIODE		
D5025	or 1SS355W-X	DIODE		
D5026	MA111-X	SI DIODE		
D5026	or 1SS355W-X	DIODE		
C5003	NCB20JK-106X	C CAPACITOR	10uF 6.3V K	
CN501	QGZ2204M1-24X	CONNECTOR	(1-24)	
CN502	QGB0525L1-40X	CONNECTOR	B-B (1-40)	

Front end board

Block No. [0][5]

Symbol No.	Part No.	Part Name	Description	Local
IC201	BA5835FM-X	IC		
IC251	BD6671FM-X	IC		
IC301	MN2DS0016AA	IC		
IC302	BA00HC5WF-X	IC		
IC306	ISP1106DH-X	IC		
IC308	XC2164A51FM-X	IC		
IC398	SG32A90TFIR36K	IC(PROGRAMED)		
IC399	K4S281632I-UC75	IC (DIGITAL)		
IC399	or EDS1216AGTA-75	IC(DIGITAL)		
IC411	NJM4580V-X	IC		
IC481	BR24L32FV-W-X	IC(DIGITAL)		
Q101	2SB1424/R/-W	TRANSISTOR		
Q102	2SC4617/R/-X	TRANSISTOR		
Q103	2SB1424/R/-W	TRANSISTOR		
Q104	2SC4617/R/-X	TRANSISTOR		
Q106	2SK3019-X	MOS FET		
Q107	2SK3019-X	MOS FET		
Q231	RT1N141U-X	TRANSISTOR		
Q301	RT1N441U-X	TRANSISTOR		
Q302	RT1N441U-X	TRANSISTOR		
C1	NCB31CK-104X	C CAPACITOR	0.1uF 16V K	
C2	NCB31CK-104X	C CAPACITOR	0.1uF 16V K	
C3	NCB31CK-104X	C CAPACITOR	0.1uF 16V K	
C4	NCB31CK-104X	C CAPACITOR	0.1uF 16V K	
C5	NCB31CK-104X	C CAPACITOR	0.1uF 16V K	
C6	NCB31CK-104X	C CAPACITOR	0.1uF 16V K	
C7	NCB31CK-104X	C CAPACITOR	0.1uF 16V K	
C8	NCB31CK-104X	C CAPACITOR	0.1uF 16V K	
C9	NCB31CK-104X	C CAPACITOR	0.1uF 16V K	

△ Symbol No.	Part No.	Part Name	Description	Local	△ Symbol No.	Part No.	Part Name	Description	Local
C11	NCB31CK-104X	C CAPACITOR	0.1uF 16V K		C338	NCB31HK-562X	C CAPACITOR	5600pF 50V K	
C12	NCB31CK-104X	C CAPACITOR	0.1uF 16V K		C339	NCB31CK-104X	C CAPACITOR	0.1uF 16V K	
C13	NCB31CK-104X	C CAPACITOR	0.1uF 16V K		C340	NCB21CK-105X	C CAPACITOR	1uF 16V K	
C14	NCB31CK-104X	C CAPACITOR	0.1uF 16V K		C341	NCB21CK-105X	C CAPACITOR	1uF 16V K	
C15	NCB31CK-104X	C CAPACITOR	0.1uF 16V K		C347	NCB31CK-104X	C CAPACITOR	0.1uF 16V K	
C16	NCB31CK-104X	C CAPACITOR	0.1uF 16V K		C348	NCB31AK-684X	C CAPACITOR	0.68uF 10V K	
C17	NCB31CK-104X	C CAPACITOR	0.1uF 16V K		C349	NCB31CK-104X	C CAPACITOR	0.1uF 16V K	
C18	NCB31CK-104X	C CAPACITOR	0.1uF 16V K		C350	NCB31AK-684X	C CAPACITOR	0.68uF 10V K	
C20	NCB31CK-104X	C CAPACITOR	0.1uF 16V K		C358	NDC31HJ-5R0X	C CAPACITOR	5pF 50V J	
C21	NCB31CK-104X	C CAPACITOR	0.1uF 16V K		C359	NDC31HJ-5R0X	C CAPACITOR	5pF 50V J	
C22	NCB31CK-104X	C CAPACITOR	0.1uF 16V K		C364	NBE40JM-476X	TA E CAPACITOR	47uF 6.3V M	
C101	NCB31CK-104X	C CAPACITOR	0.1uF 16V K		C365	NCB31CK-104X	C CAPACITOR	0.1uF 16V K	
C102	NCB31CK-104X	C CAPACITOR	0.1uF 16V K		C366	NCB21CK-105X	C CAPACITOR	1uF 16V K	
C103	NCB31CK-104X	C CAPACITOR	0.1uF 16V K		C369	NBE40JM-476X	TA E CAPACITOR	47uF 6.3V M	
C104	NCB31CK-104X	C CAPACITOR	0.1uF 16V K		C371	NCB21CK-105X	C CAPACITOR	1uF 16V K	
C105	NBE41AM-476X	TA E CAPACITOR	47uF 10V M		C381	NCB31CK-104X	C CAPACITOR	0.1uF 16V K	
C106	NBE41AM-476X	TA E CAPACITOR	47uF 10V M		C382	NCB31CK-104X	C CAPACITOR	0.1uF 16V K	
C108	NBE41AM-476X	TA E CAPACITOR	47uF 10V M		C383	NCB31CK-104X	C CAPACITOR	0.1uF 16V K	
C111	NCB31CK-104X	C CAPACITOR	0.1uF 16V K		C391	NCB31CK-104X	C CAPACITOR	0.1uF 16V K	
C112	NCB31CK-104X	C CAPACITOR	0.1uF 16V K		C392	NCB31CK-104X	C CAPACITOR	0.1uF 16V K	
C201	NEAF1CM-107X	E CAPACITOR	100uF 16V M		C393	NCB31CK-104X	C CAPACITOR	0.1uF 16V K	
C202	NCB31CK-104X	C CAPACITOR	0.1uF 16V K		C394	NCB31CK-104X	C CAPACITOR	0.1uF 16V K	
C203	NDC31HJ-271X	C CAPACITOR	270pF 50V J		C396	NCB31CK-104X	C CAPACITOR	0.1uF 16V K	
C204	NDC31HJ-151X	C CAPACITOR	150pF 50V J		C397	NBE20JM-226X	TA E CAPACITOR	22uF 6.3V M	
C205	NCB31HK-681X	C CAPACITOR	680pF 50V K		C451	NCB31CK-104X	C CAPACITOR	0.1uF 16V K	
C206	NCB31HK-561X	C CAPACITOR	560pF 50V K		C452	NCB31CK-104X	C CAPACITOR	0.1uF 16V K	
C211	NEAF1CM-107X	E CAPACITOR	100uF 16V M		C453	NCB31CK-104X	C CAPACITOR	0.1uF 16V K	
C212	NCB31CK-104X	C CAPACITOR	0.1uF 16V K		C454	NCB31CK-104X	C CAPACITOR	0.1uF 16V K	
C213	NCB31CK-104X	C CAPACITOR	0.1uF 16V K		C481	NCB31CK-104X	C CAPACITOR	0.1uF 16V K	
C221	NCB31HK-223X	C CAPACITOR	0.022uF 50V K		C491	NCB31CK-104X	C CAPACITOR	0.1uF 16V K	
C222	NCB31HK-103X	C CAPACITOR	0.01uF 50V K						
C238	NCB31CK-104X	C CAPACITOR	0.1uF 16V K		R30	NRSA63J-0R0X	MG RESISTOR	0Ω 1/16W J	
C239	NCB31CK-104X	C CAPACITOR	0.1uF 16V K		R31	NRSA6AD-153W	MG RESISTOR	15kΩ 1/16W D	
C240	NCB31CK-104X	C CAPACITOR	0.1uF 16V K		R32	NRSA6AD-153W	MG RESISTOR	15kΩ 1/16W D	
C251	NCB31CK-104X	C CAPACITOR	0.1uF 16V K		R33	NRS181F-330X	MG RESISTOR	33Ω 1/8W F	
C252	NEAF1CM-107X	E CAPACITOR	100uF 16V M		R34	NRS181F-330X	MG RESISTOR	33Ω 1/8W F	
C253	NCB31CK-104X	C CAPACITOR	0.1uF 16V K		R35	NRSA6AD-102W	MG RESISTOR	1kΩ 1/16W D	
C254	NBE21AM-106X	TA E CAPACITOR	10uF 10V M		R36	NRSA6AD-221W	MG RESISTOR	220Ω 1/16W D	
C255	NCB31CK-104X	C CAPACITOR	0.1uF 16V K		R38	NRSA6AD-102W	MG RESISTOR	1kΩ 1/16W D	
C256	NCB31CK-473X	C CAPACITOR	0.047uF 16V K		R39	NRSA6AD-221W	MG RESISTOR	220Ω 1/16W D	
C257	NCB31HK-102X	C CAPACITOR	1000pF 50V K		R40	NRSA6AD-221W	MG RESISTOR	220Ω 1/16W D	
C258	NCB31HK-102X	C CAPACITOR	1000pF 50V K		R41	NRSA6AD-102W	MG RESISTOR	1kΩ 1/16W D	
C259	NCB31HK-102X	C CAPACITOR	1000pF 50V K		R42	NRSA6AD-221W	MG RESISTOR	220Ω 1/16W D	
C264	NCB31HK-103X	C CAPACITOR	0.01uF 50V K		R43	NRSA6AD-221W	MG RESISTOR	220Ω 1/16W D	
C265	NCB31CK-104X	C CAPACITOR	0.1uF 16V K		R44	NRSA63J-0R0X	MG RESISTOR	0Ω 1/16W J	
C266	NCB31CK-104X	C CAPACITOR	0.1uF 16V K		R45	NRSA6AD-473W	MG RESISTOR	47kΩ 1/16W D	
C267	NCB31HK-103X	C CAPACITOR	0.01uF 50V K		R46	NRSA6AD-103W	MG RESISTOR	10kΩ 1/16W D	
C268	NCB31HK-153X	C CAPACITOR	0.015uF 50V K		R101	NRSA6AD-910W	MG RESISTOR	91Ω 1/16W D	
C301	NBE41AM-476X	TA E CAPACITOR	47uF 10V M		R102	NRSA6AD-910W	MG RESISTOR	91Ω 1/16W D	
C302	NBE40JM-476X	TA E CAPACITOR	47uF 6.3V M		R103	NRSA63D-432X	MG RESISTOR	4.3kΩ 1/16W D	
C305	NCB31CK-104X	C CAPACITOR	0.1uF 16V K		R104	NRSA63D-242X	MG RESISTOR	2.4kΩ 1/16W D	
C308	NCB31CK-104X	C CAPACITOR	0.1uF 16V K		R105	NRS125J-120X	MG RESISTOR	12Ω 1/2W J	
C309	NCB31CK-104X	C CAPACITOR	0.1uF 16V K		R106	NRSA63J-2R2X	MG RESISTOR	2.2Ω 1/16W J	
C310	NCB31HK-103X	C CAPACITOR	0.01uF 50V K		R107	NRSA6AD-102W	MG RESISTOR	1kΩ 1/16W D	
C311	NCB31CK-104X	C CAPACITOR	0.1uF 16V K		R108	NRSA63J-471X	MG RESISTOR	470Ω 1/16W J	
C312	NCB21CK-105X	C CAPACITOR	1uF 16V K		R109	NRSA63J-331X	MG RESISTOR	330Ω 1/16W J	
C313	NCB31CK-104X	C CAPACITOR	0.1uF 16V K		R110	NRSA63J-0R0X	MG RESISTOR	0Ω 1/16W J	
C315	NCB31CK-104X	C CAPACITOR	0.1uF 16V K		R111	NRSA63D-432X	MG RESISTOR	4.3kΩ 1/16W D	
C316	NCB31CK-105X	C CAPACITOR	1uF 16V K		R112	NRSA63D-242X	MG RESISTOR	2.4kΩ 1/16W D	
C317	NCB31CK-104X	C CAPACITOR	0.1uF 16V K		R113	NRS125J-120X	MG RESISTOR	12Ω 1/2W J	
C318	NCB31CK-104X	C CAPACITOR	0.1uF 16V K		R114	NRSA63J-2R2X	MG RESISTOR	2.2Ω 1/16W J	
C319	NCB31CK-104X	C CAPACITOR	0.1uF 16V K		R115	NRSA6AD-102W	MG RESISTOR	1kΩ 1/16W D	
C320	NCB31CK-104X	C CAPACITOR	0.1uF 16V K		R116	NRSA63J-471X	MG RESISTOR	470Ω 1/16W J	
C321	NCB31CK-104X	C CAPACITOR	0.1uF 16V K		R117	NRSA63J-331X	MG RESISTOR	330Ω 1/16W J	
C322	NCB31CK-104X	C CAPACITOR	0.1uF 16V K		R118	NRSA63J-0R0X	MG RESISTOR	0Ω 1/16W J	
C323	NCB31CK-104X	C CAPACITOR	0.1uF 16V K		R119	NRSA63J-0R0X	MG RESISTOR	0Ω 1/16W J	
C324	NCB21CK-105X	C CAPACITOR	1uF 16V K		R120	NRSA63J-0R0X	MG RESISTOR	0Ω 1/16W J	
C325	NDC31HJ-120X	C CAPACITOR	12pF 50V J		R121	NRSA63J-0R0X	MG RESISTOR	0Ω 1/16W J	
C326	NDC31HJ-120X	C CAPACITOR	12pF 50V J		R122	NRSA63J-0R0X	MG RESISTOR	0Ω 1/16W J	
C327	NCB31CK-104X	C CAPACITOR	0.1uF 16V K		R123	NRSA63J-0R0X	MG RESISTOR	0Ω 1/16W J	
C328	NCB31CK-104X	C CAPACITOR	0.1uF 16V K		R124	NRSA63J-0R0X	MG RESISTOR	0Ω 1/16W J	
C330	NCB31CK-104X	C CAPACITOR	0.1uF 16V K		R125	NRS125J-1R0X	MG RESISTOR	1Ω 1/2W J	
C331	NCB31CK-333X	C CAPACITOR	0.033uF 16V K		R126	NRSA02J-0R0X	MG RESISTOR	0Ω 1/10W J	
C332	NCB31CK-104X	C CAPACITOR	0.1uF 16V K		R129	NRSA6AD-104W	MG RESISTOR	100kΩ 1/16W D	
C333	NCB31CK-104X	C CAPACITOR	0.1uF 16V K		R201	NRS125J-1R0X	MG RESISTOR	1Ω 1/2W J	
C335	NCB31CK-104X	C CAPACITOR	0.1uF 16V K		R202	NRSA6AD-473W	MG RESISTOR	47kΩ 1/16W D	
C336	NCB31CK-104X	C CAPACITOR	0.1uF 16V K		R203	NRSA6AD-303W	MG RESISTOR	30kΩ 1/16W D	
C337	NCB31HK-183X	C CAPACITOR	0.018uF 50V K		R204	NRSA6AD-273W	MG RESISTOR	27kΩ 1/16W D	

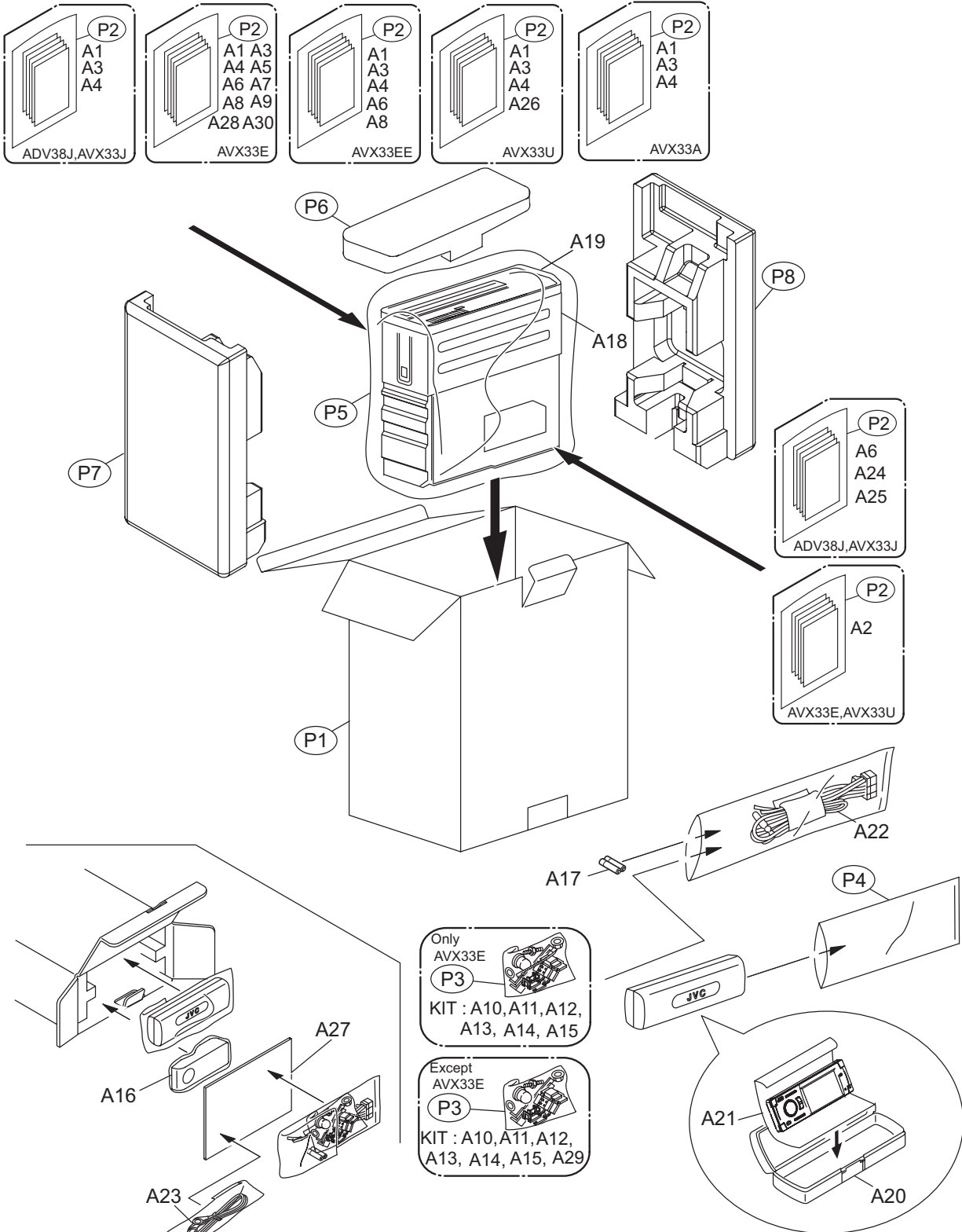
△ Symbol No.	Part No.	Part Name	Description	Local	△ Symbol No.	Part No.	Part Name	Description	Local
R205	NRSA6AD-273W	MG RESISTOR	27kΩ 1/16W D		R382	NRSA6AD-123W	MG RESISTOR	12kΩ 1/16W D	
R206	NRSA63J-0R0X	MG RESISTOR	0Ω 1/16W J		R383	NRSA63J-105X	MG RESISTOR	1MΩ 1/16W J	
R207	NRSA63J-0R0X	MG RESISTOR	0Ω 1/16W J		R384	NRSA6AD-102W	MG RESISTOR	1kΩ 1/16W D	
R208	NRSA6AD-203W	MG RESISTOR	20kΩ 1/16W D		R385	NRSA6AD-102W	MG RESISTOR	1kΩ 1/16W D	
R209	NRSA6AD-223W	MG RESISTOR	22kΩ 1/16W D		R391	NRSA6AD-103W	MG RESISTOR	10kΩ 1/16W D	
R211	NRSA63J-0R0X	MG RESISTOR	0Ω 1/16W J		R392	NRSA6AD-473W	MG RESISTOR	47kΩ 1/16W D	
R219	NRSA6AD-153W	MG RESISTOR	15kΩ 1/16W D		R393	NRSA6AD-473W	MG RESISTOR	47kΩ 1/16W D	
R220	NRSA6AD-183W	MG RESISTOR	18kΩ 1/16W D		R394	NRSA6AD-473W	MG RESISTOR	47kΩ 1/16W D	
R221	NRSA6AD-103W	MG RESISTOR	10kΩ 1/16W D		R396	NRSA6AD-473W	MG RESISTOR	47kΩ 1/16W D	
R222	NRSA6AD-103W	MG RESISTOR	10kΩ 1/16W D		R399	NRSA63J-0R0X	MG RESISTOR	0Ω 1/16W J	
R223	NRSA63J-0R0X	MG RESISTOR	0Ω 1/16W J		R403	NRSA63J-0R0X	MG RESISTOR	0Ω 1/16W J	
R224	NRSA6AD-103W	MG RESISTOR	10kΩ 1/16W D		R405	NRSA63J-0R0X	MG RESISTOR	0Ω 1/16W J	
R231	NRSA6AD-272W	MG RESISTOR	2.7kΩ 1/16W D		R481	NRSA6AD-103W	MG RESISTOR	10kΩ 1/16W D	
R232	NRSA6AD-153W	MG RESISTOR	15kΩ 1/16W D		R491	NRSA63D-472X	MG RESISTOR	4.7kΩ 1/16W D	
R233	NRSA63J-0R0X	MG RESISTOR	0Ω 1/16W J		R492	NRSA63J-0R0X	MG RESISTOR	0Ω 1/16W J	
R234	NRSA6AD-394W	MG RESISTOR	390kΩ 1/16W D		R618	NRSA63J-181X	MG RESISTOR	180Ω 1/16W J	
R235	NRSA6AD-682W	MG RESISTOR	6.8kΩ 1/16W D		R619	NRSA63J-181X	MG RESISTOR	180Ω 1/16W J	
R246	NRSA6AD-220W	MG RESISTOR	22Ω 1/16W D		R620	NRSA63J-181X	MG RESISTOR	180Ω 1/16W J	
R251	NRS125J-R47X	MG RESISTOR	0.47Ω 1/2W J		L303	NQL044K-100X	COIL	0.26Ω 10uH K	
R252	NRSA6AD-103W	MG RESISTOR	10kΩ 1/16W D		L305	NQR0129-002X	FERRITE BEADS		
R253	NRSA63J-0R0X	MG RESISTOR	0Ω 1/16W J		L306	NQR0129-002X	FERRITE BEADS		
R254	NRSA6AD-103W	MG RESISTOR	10kΩ 1/16W D		L307	NQR0129-002X	FERRITE BEADS		
R255	NRSA6AD-203W	MG RESISTOR	20kΩ 1/16W D		L451	NQL044K-100X	COIL	0.26Ω 10uH K	
R256	NRSA6AD-470W	MG RESISTOR	47Ω 1/16W D		CN101	QGF0501F8-30X	CONNECTOR	FFC/FPC (1-30)	
R257	NRSA63J-0R0X	MG RESISTOR	0Ω 1/16W J		CN201	QGF1038F2-11X	CONNECTOR	FFC/FPC (1-11)	
R258	NRSA6AD-103W	MG RESISTOR	10kΩ 1/16W D		CN202	QGF0523F2-05W	CONNECTOR	FFC/FPC (1-5)	
R259	NRSA6AD-103W	MG RESISTOR	10kΩ 1/16W D		CN401	QGF0534F3-60X	CONNECTOR	FFC/FPC (1-60)	
R260	NRSA6AD-470W	MG RESISTOR	47Ω 1/16W D		CN402	QGF0522F3-06W	CONNECTOR	FFC/FPC (1-6)	
R300	NRSA63J-0R0X	MG RESISTOR	0Ω 1/16W J		CN404	QGF0534F3-14X	CONNECTOR	FFC/FPC (1-14)	
R301	NRSA63J-0R0X	MG RESISTOR	0Ω 1/16W J		K101	NQR0007-002X	FERRITE BEADS		
R303	NRSA6AD-270W	MG RESISTOR	27Ω 1/16W D		K102	NQR0007-002X	FERRITE BEADS		
R304	NRSA6AD-103W	MG RESISTOR	10kΩ 1/16W D		K301	NQR0502-001X	FERRITE BEADS		
R305	NRSA6AD-473W	MG RESISTOR	47kΩ 1/16W D		K302	NQR0502-001X	FERRITE BEADS		
R306	NRSA6AD-102W	MG RESISTOR	1kΩ 1/16W D		K303	NQR0022-002X	FERRITE BEADS		
R307	NRSA6AD-102W	MG RESISTOR	1kΩ 1/16W D		K304	NRSA63J-0R0X	MG RESISTOR	0Ω 1/16W J	
R308	NRSA6AD-223W	MG RESISTOR	22kΩ 1/16W D		K305	NRSA63J-0R0X	MG RESISTOR	0Ω 1/16W J	
R309	NRSA6AD-104W	MG RESISTOR	100kΩ 1/16W D		K306	NQR0502-001X	FERRITE BEADS		
R312	NRSA63J-0R0X	MG RESISTOR	0Ω 1/16W J		K311	NQR0129-002X	FERRITE BEADS		
R313	NRSA63J-0R0X	MG RESISTOR	0Ω 1/16W J		K312	NQR0129-002X	FERRITE BEADS		
R314	NRSA63J-0R0X	MG RESISTOR	0Ω 1/16W J		K399	NQR0502-001X	FERRITE BEADS		
R315	NRSA63J-0R0X	MG RESISTOR	0Ω 1/16W J		K401	NQR0022-005X	FERRITE BEADS		
R316	NRSA63J-0R0X	MG RESISTOR	0Ω 1/16W J		K402	NQR0022-005X	FERRITE BEADS		
R318	NRSA63D-332X	MG RESISTOR	3.3kΩ 1/16W D		K404	NQR0022-005X	FERRITE BEADS		
R319	NRSA6AD-223W	MG RESISTOR	22kΩ 1/16W D		K405	NQR0022-005X	FERRITE BEADS		
R320	NRSA6AD-101W	MG RESISTOR	100Ω 1/16W D		K406	NQR0022-005X	FERRITE BEADS		
R323	NRSA63J-0R0X	MG RESISTOR	0Ω 1/16W J		K407	NQR0022-005X	FERRITE BEADS		
R326	NRSA63J-0R0X	MG RESISTOR	0Ω 1/16W J		K421	NQR0022-005X	FERRITE BEADS		
R327	NRSA63J-0R0X	MG RESISTOR	0Ω 1/16W J		K422	NQR0022-005X	FERRITE BEADS		
R328	NRSA63J-0R0X	MG RESISTOR	0Ω 1/16W J		K423	NQR0022-005X	FERRITE BEADS		
R329	NRSA63J-0R0X	MG RESISTOR	0Ω 1/16W J		K424	NQR0022-005X	FERRITE BEADS		
R332	NRSA6AD-102W	MG RESISTOR	1kΩ 1/16W D		K425	NQL093K-1R8X	COIL	1.8uH K	
R333	NRSA63D-162X	MG RESISTOR	1.6kΩ 1/16W D		K426	NRSA63J-0R0X	MG RESISTOR	0Ω 1/16W J	
R334	NRSA63J-0R0X	MG RESISTOR	0Ω 1/16W J		K427	NRSA63J-0R0X	MG RESISTOR	0Ω 1/16W J	
R335	NRSA63J-0R0X	MG RESISTOR	0Ω 1/16W J		K428	NRSA63J-0R0X	MG RESISTOR	0Ω 1/16W J	
R336	NRSA63J-0R0X	MG RESISTOR	0Ω 1/16W J		K429	NQR0022-005X	FERRITE BEADS		
R337	NRSA63J-0R0X	MG RESISTOR	0Ω 1/16W J		K430	NRSA63J-101X	MG RESISTOR	100Ω 1/16W J	
R340	NRSA63D-303X	MG RESISTOR	30kΩ 1/16W D		K431	NRSA63J-101X	MG RESISTOR	100Ω 1/16W J	
R346	NRSA6AD-473W	MG RESISTOR	47kΩ 1/16W D		K433	NRSA63J-181X	MG RESISTOR	180Ω 1/16W J	
R347	NRSA6AD-473W	MG RESISTOR	47kΩ 1/16W D		K435	NQR0022-005X	FERRITE BEADS		
R348	NRSA6AD-473W	MG RESISTOR	47kΩ 1/16W D		K441	NQR0022-005X	FERRITE BEADS		
R349	NRSA6AD-473W	MG RESISTOR	47kΩ 1/16W D		K451	NQR0022-005X	FERRITE BEADS		
R351	NRSA6AD-221W	MG RESISTOR	220Ω 1/16W D		K452	NQR0022-005X	FERRITE BEADS		
R352	NRSA63J-105X	MG RESISTOR	1MΩ 1/16W J		K461	NQR0022-005X	FERRITE BEADS		
R353	NRSA6AD-101W	MG RESISTOR	100Ω 1/16W D		K462	NQR0022-005X	FERRITE BEADS		
R354	NRSA6AD-101W	MG RESISTOR	100Ω 1/16W D		K601	NQR0022-005X	FERRITE BEADS		
R362	NRSA63J-0R0X	MG RESISTOR	0Ω 1/16W J		K631	NQR0502-001X	FERRITE BEADS		
R363	NRSA6AD-151W	MG RESISTOR	150Ω 1/16W D		SW4	NSW0184-001X	DETECT SW		
R364	NRSA6AD-151W	MG RESISTOR	150Ω 1/16W D		SW5	NSW0183-001X	DETECT SW		
R365	NRSA63D-911X	MG RESISTOR	910Ω 1/16W D		TH491	NAD0025-103X	N THERMISTOR	10kΩ	
R366	NRSA63D-202X	MG RESISTOR	2kΩ 1/16W D		X351	NAX0741-001X	CRYSTAL	27.000MHz	
R368	NRSA63D-203X	MG RESISTOR	20kΩ 1/16W D		X354	NAX0376-002X	CRYSTAL		
R370	NRSA6AD-103W	MG RESISTOR	10kΩ 1/16W D						
R372	NRSA6AD-331W	MG RESISTOR	330Ω 1/16W D						
R373	NRSA6AD-331W	MG RESISTOR	330Ω 1/16W D						
R378	NRSA6AD-101W	MG RESISTOR	100Ω 1/16W D						
R379	NRSA6AD-101W	MG RESISTOR	100Ω 1/16W D						
R380	NRSA6AD-102W	MG RESISTOR	1kΩ 1/16W D						
R381	NRSA6AD-473W	MG RESISTOR	47kΩ 1/16W D						

<MEMO>

Packing materials and accessories parts list

Block No. **M 3 M M**

No additional / supplemental order of WARRANTY CARDS are available



The parts without symbol number are not service.

Packing and Accessories

Block No. [M][3][M][M]

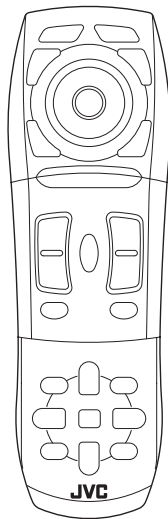
△	Symbol No.	Part No.	Part Name	Description	Local
	A 1	LVT1658-001A	INST BOOK	ENG FRE SPA	ADV38J,AVX33J
	A 1	LVT1659-001A	INST BOOK	ENG GER FRE DUT	AVX33E
	A 1	LVT1659-003A	INST BOOK	ENG RUS UKR	AVX33EE
	A 1	LVT1708-002A	INST BOOK	ENG CHI(TAIWAN) THA	AVX33U
	A 1	LVT1708-001A	INST BOOK	ENG	AVX33A
	A 2	LVT1659-002A	INST BOOK	SPA ITA SWE POR	AVX33E
	A 2	LVT1708-003A	INST BOOK	ARA KOR PER	AVX33U
	A 3	LVT1658-002A	INSTALL MANUAL	ENG FRE SPA	ADV38J,AVX33J
	A 3	LVT1659-004A	INSTALL MANUAL	ENG GER FRE DUT	AVX33E
	A 3	LVT1659-006A	INSTALL MANUAL	ENG RUS UKR	AVX33EE
	A 3	LVT1708-005A	INSTALL MANUAL	ENG CHI(TAIWAN) THA	AVX33U
	A 3	LVT1708-004A	INSTALL MANUAL	ENG	AVX33A
	A 4	LVT1672-001A	INST SHEET		
	A 5	LVT1659-005A	INSTALL MANUAL		AVX33E
	A 6	-----	WARRANTY CARD	BT-51029-3	ADV38J
	A 6	-----	WARRANTY CARD	BT-51018-5	AVX33J
	A 6	-----	WARRANTY CARD	BT-54031-1	AVX33E,AVX33EE
	A 7	VND3050-002	IDENTITY CARD		AVX33E
	A 8	VND3046-001	SERIAL TICKET		AVX33E,AVX33EE
	A 9	LVT1709-002A	ECDOC SHEET		AVX33E
	A10	VKZ4027-202	PLUG NUT		
	A11	VKH4871-003	MOUNT BOLT		
	A12	VKZ4328-003	LOCK NUT		
	A13	QYWWWS53A008ZA	WASHER	0mm/5.3mm x	
	A14	GE40130-002A	HOOK	(x2)	
	A15	LV41478-001A	CORD CONNECTER	(x2)	
	A16	RM-RK251	REMOCON		
	A17	-----	BATTERY	(x2)	
	A18	GE20137-003A	MOUNTING SLEEVE		
	A19	LV22277-001A	TRIM		
	A20	LV35787-001A	HARD CASE ASSY		
	A21	FSYH4036-068	SHEET		
△	A22	QAM0973-002	CAR CABLE		ADV38J,AVX33J
△	A22	QAM0972-002	CAR CABLE		AVX33E,AVX33EE
△	A22	QAM1006-001	CAR CABLE		AVX33U,AVX33A
	A23	QAN0087-001	MICROPHONE		
	A24	BT-51041-1	REGIS. CARD	BT-51041-1	ADV38J,AVX33J
	A25	-----	WARRANTY CARD	BT-52007-1	ADV38J,AVX33J
	A26	LVT1708-006A	INSTALL MANUAL		AVX33U
	A27	LV44951-001A	SPACER		
	A28	LV42208-001A	CAUTION SHEET		
	A29	E308918-001	TIE BAND		AVX33E
	A30	LVT1741-001B	CAUTION SHEET		AVX33E
	KIT	SRW-AVX11J	SCREW PARTS KIT	A10 A11 A12 A13 A14 A15	ADV38J,AVX33J,AVX33EE,AVX33U,AVX33A
	KIT	SRW-AVX33E	SCREW PARTS KIT	A10 A11 A12 A13 A14 A15 A29	AVX33E
	P 1	LV37608-001A	CARTON		ADV38J
	P 1	LV37356-002A	CARTON		AVX33J
	P 1	LV37357-002A	CARTON		AVX33E
	P 1	LV37358-002A	CARTON		AVX33EE
	P 1	LV37607-001A	CARTON		AVX33U,AVX33A
	P 2	FSPG4002-001	POLY BAG	(x2)	ADV38J,AVX33J,AVX33E,AVX33U
	P 2	FSPG4002-001	POLY BAG		AVX33EE,AVX33A
	P 3	QPA00801205	POLY BAG	8cm x 12cm	
	P 4	QPA01003003	POLY BAG	10cm x 30cm	
	P 5	QPC03004315P	POLY BAG	30cm x 43cm	
	P 6	LV22311-001A	CUSHION (M)		
	P 7	LV11302-001A	CUSHION(L)		
	P 8	LV11303-001A	CUSHION(R)		

JVC

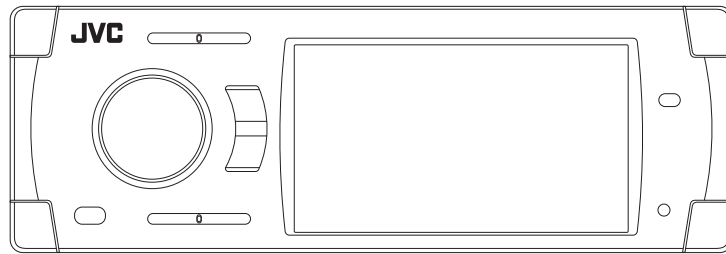
SCHEMATIC DIAGRAMS

DVD/CD RECEIVER

KD-ADV38J, KD-AVX33J, KD-AVX33E KD-AVX33EE, KD-AVX33U, KD-AVX33A



CD-ROM No.SML200704



KD-ADV38J
KD-AVX33J

KD-AVX33E
KD-AVX33EE

Lead free solder used in the board (material : Sn-Ag-Cu, melting point : 219 Centigrade)
Lead free solder used in the board (material : Sn-Cu, melting point : 230 Centigrade)

Contents

Block diagram	2-1
Standard schematic diagrams	2-2
Printed circuit boards	2-9 to 10

Safety precaution

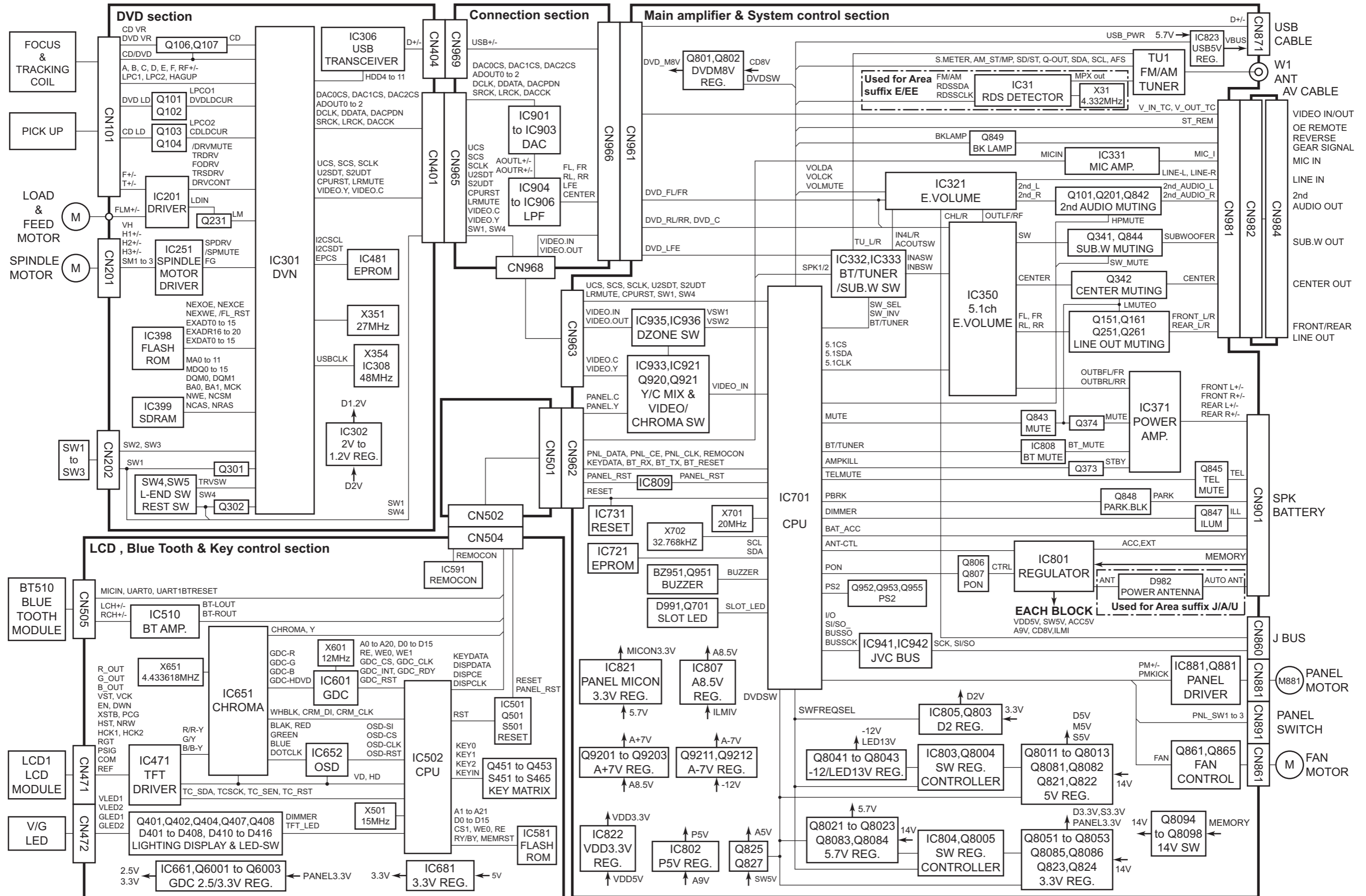


CAUTION Burrs formed during molding may be left over on some parts of the chassis. Therefore, pay attention to such burrs in the case of performing repair of this system.



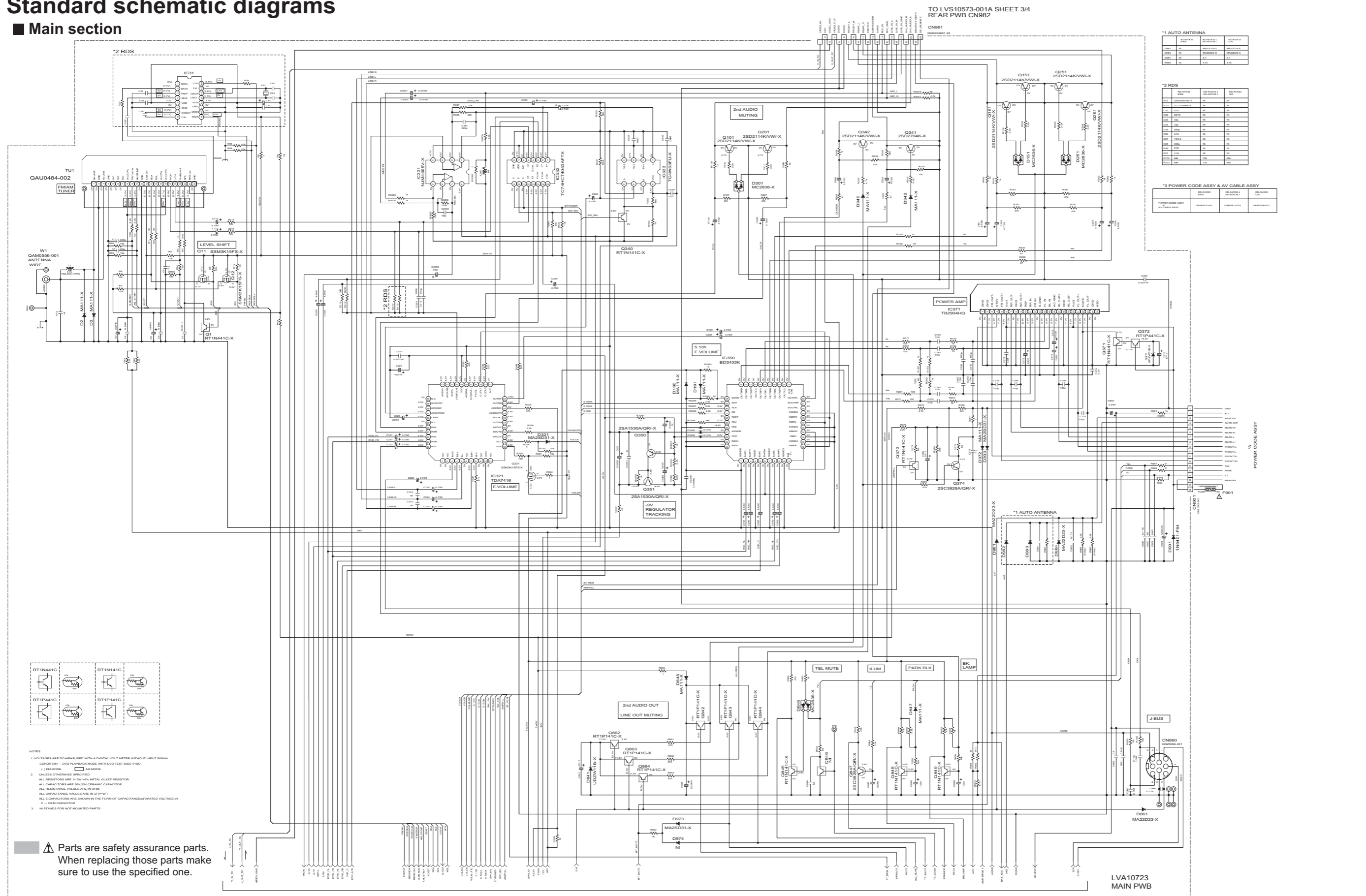
CAUTION Please use enough caution not to see the beam directly or touch it in case of an adjustment or operation check.

Block diagram



Standard schematic diagrams

Main section



***1 AUTO ANTENNA**

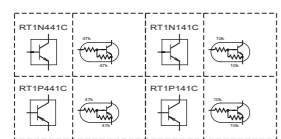
ITEM	DESCRIPTION	QTY	REVISION
001	W1 QAM0555-001	1	001
002	W2 QAM0555-001	1	001
003	W3 QAM0555-001	1	001
004	W4 QAM0555-001	1	001
005	W5 QAM0555-001	1	001
006	W6 QAM0555-001	1	001
007	W7 QAM0555-001	1	001
008	W8 QAM0555-001	1	001
009	W9 QAM0555-001	1	001
010	W10 QAM0555-001	1	001

***2 RDS**

ITEM	DESCRIPTION	QTY	REVISION
001	IC31 QAM0555-001	1	001
002	IC32 QAM0555-001	1	001
003	IC33 QAM0555-001	1	001
004	IC34 QAM0555-001	1	001
005	IC35 QAM0555-001	1	001
006	IC36 QAM0555-001	1	001
007	IC37 QAM0555-001	1	001
008	IC38 QAM0555-001	1	001
009	IC39 QAM0555-001	1	001
010	IC40 QAM0555-001	1	001
011	IC41 QAM0555-001	1	001
012	IC42 QAM0555-001	1	001
013	IC43 QAM0555-001	1	001
014	IC44 QAM0555-001	1	001
015	IC45 QAM0555-001	1	001
016	IC46 QAM0555-001	1	001
017	IC47 QAM0555-001	1	001
018	IC48 QAM0555-001	1	001
019	IC49 QAM0555-001	1	001
020	IC50 QAM0555-001	1	001
021	IC51 QAM0555-001	1	001
022	IC52 QAM0555-001	1	001
023	IC53 QAM0555-001	1	001
024	IC54 QAM0555-001	1	001
025	IC55 QAM0555-001	1	001
026	IC56 QAM0555-001	1	001
027	IC57 QAM0555-001	1	001
028	IC58 QAM0555-001	1	001
029	IC59 QAM0555-001	1	001
030	IC60 QAM0555-001	1	001
031	IC61 QAM0555-001	1	001
032	IC62 QAM0555-001	1	001
033	IC63 QAM0555-001	1	001
034	IC64 QAM0555-001	1	001
035	IC65 QAM0555-001	1	001
036	IC66 QAM0555-001	1	001
037	IC67 QAM0555-001	1	001
038	IC68 QAM0555-001	1	001
039	IC69 QAM0555-001	1	001
040	IC70 QAM0555-001	1	001
041	IC71 QAM0555-001	1	001
042	IC72 QAM0555-001	1	001
043	IC73 QAM0555-001	1	001
044	IC74 QAM0555-001	1	001
045	IC75 QAM0555-001	1	001
046	IC76 QAM0555-001	1	001
047	IC77 QAM0555-001	1	001
048	IC78 QAM0555-001	1	001
049	IC79 QAM0555-001	1	001
050	IC80 QAM0555-001	1	001
051	IC81 QAM0555-001	1	001
052	IC82 QAM0555-001	1	001
053	IC83 QAM0555-001	1	001
054	IC84 QAM0555-001	1	001
055	IC85 QAM0555-001	1	001
056	IC86 QAM0555-001	1	001
057	IC87 QAM0555-001	1	001
058	IC88 QAM0555-001	1	001
059	IC89 QAM0555-001	1	001
060	IC90 QAM0555-001	1	001
061	IC91 QAM0555-001	1	001
062	IC92 QAM0555-001	1	001
063	IC93 QAM0555-001	1	001
064	IC94 QAM0555-001	1	001
065	IC95 QAM0555-001	1	001
066	IC96 QAM0555-001	1	001
067	IC97 QAM0555-001	1	001
068	IC98 QAM0555-001	1	001
069	IC99 QAM0555-001	1	001
070	IC100 QAM0555-001	1	001

***3 POWER CODE ASSY & AV CABLE ASSY**

POWER CODE ASSY	DESCRIPTION	QTY	REVISION
001	POWER CODE ASSY	1	001
002	AV CABLE ASSY	1	001

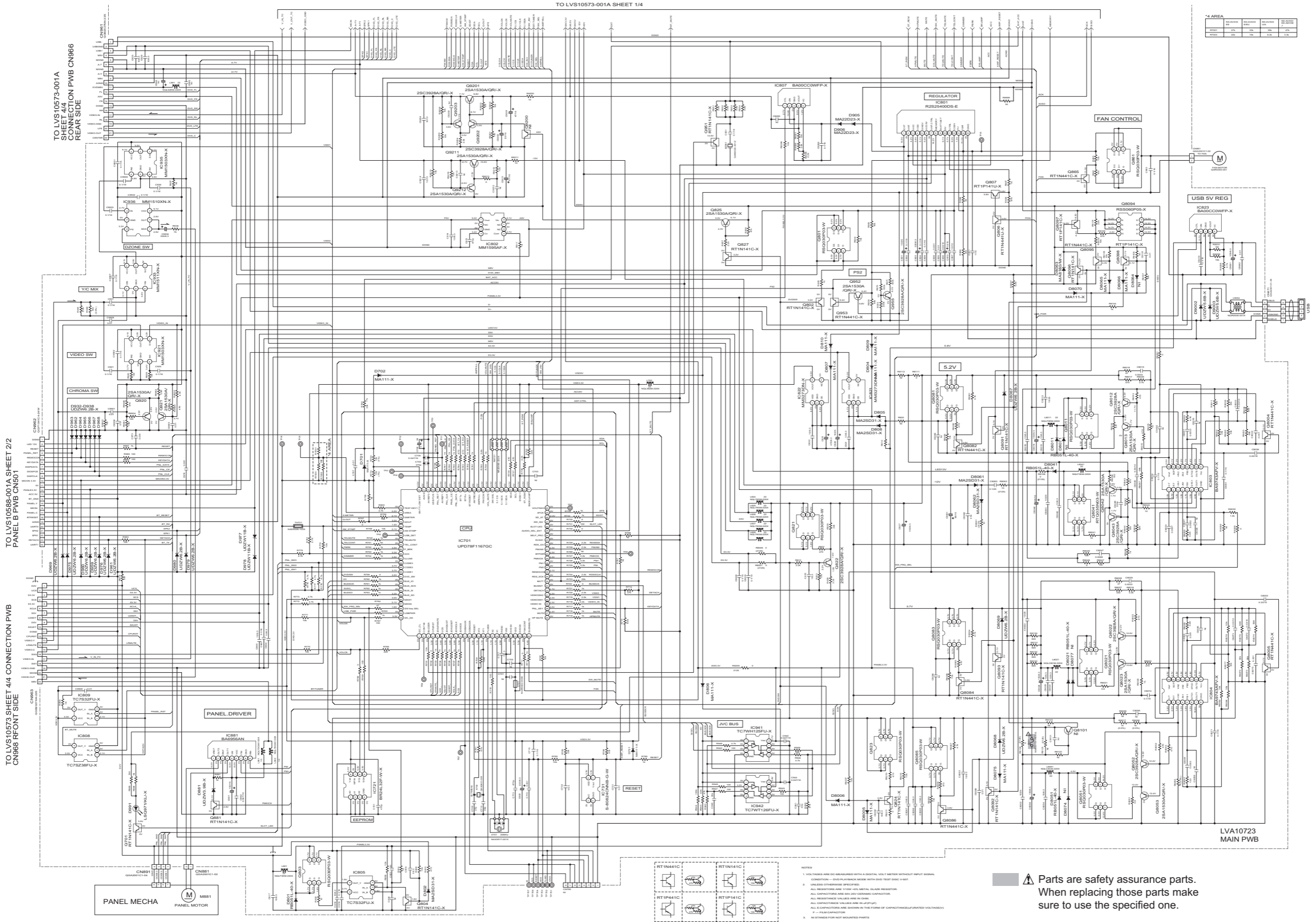


NOTES:
 1. VOLTAGES ARE DC-MEASURED WITH A DIGITAL VOLT METER WITHOUT INPUT SIGNAL.
 CONDITION - DVD PLAYBACK MODE WITH DVD TEST DISC V-007.
 1 - 1/4 WATT.
 2. UNLESS OTHERWISE SPECIFIED:
 ALL RESISTORS ARE 1/4W 5% METAL GLAZE RESISTOR.
 ALL CAPACITORS ARE 50V 25% OS205 CERAMIC CAPACITOR.
 ALL RESISTANCE VALUES ARE IN OHM.
 ALL CAPACITANCE VALUES ARE IN PICO (P).
 ALL E-CAPACITORS ARE SHOWN IN THE FORM OF CAPACITANCE/VOLTAGE (E).
 F - FILM CAPACITOR.
 3. # IN SQUARE FOR NOT MOUNTED PARTS.

⚠ Parts are safety assurance parts.
 When replacing those parts make sure to use the specified one.

Micon section

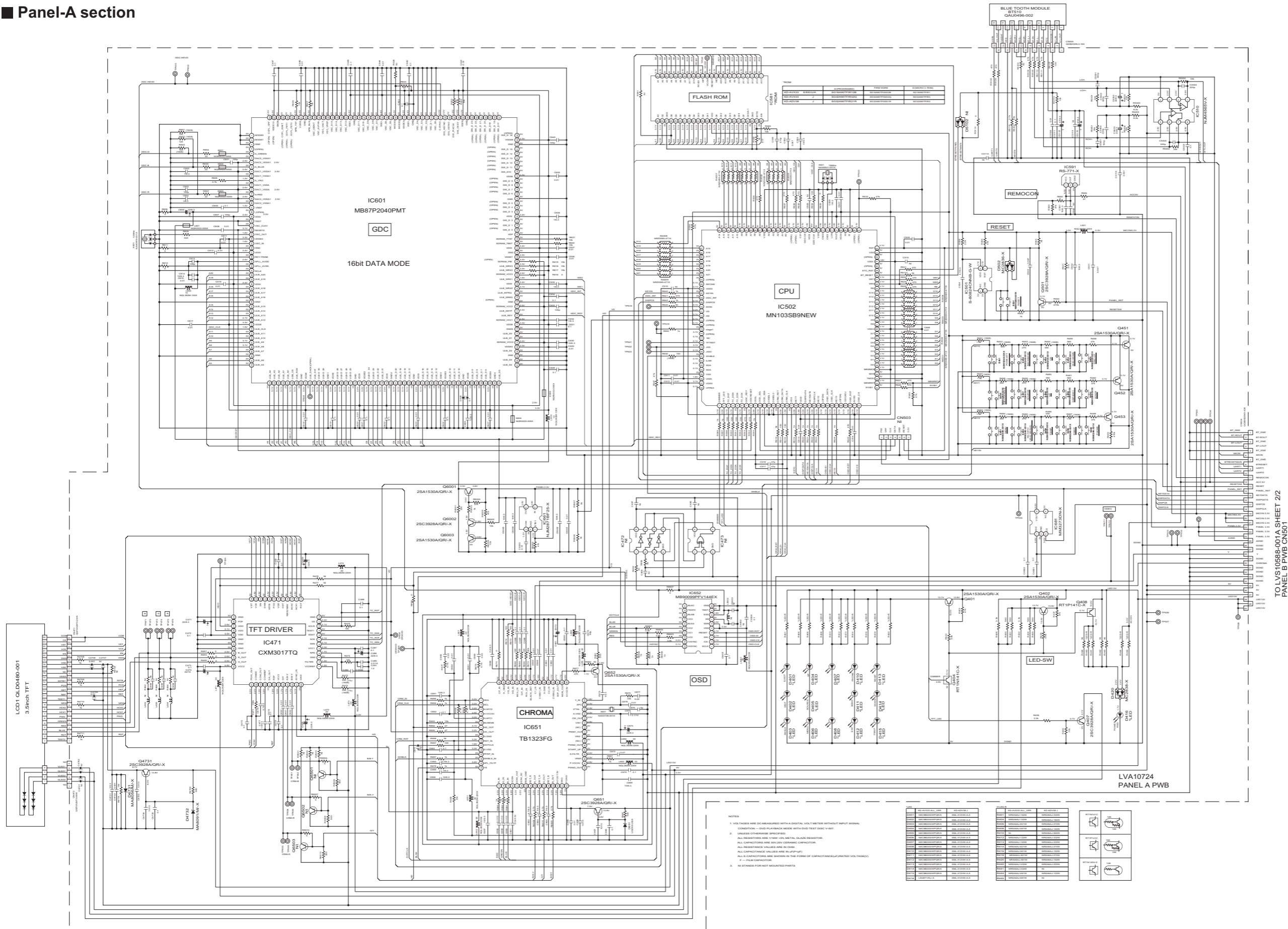
TO LVS10573-001A SHEET 1/4



⚠ Parts are safety assurance parts. When replacing those parts make sure to use the specified one.

- NOTES
1. VOLTAGE AND DC RESISTANCE WITH A METAL VOLTAHMMETER OUTPUT MODEL.
 2. RESISTOR: 1/4W PLAIN-BROWN WITH 5% TOLERANCE.
 3. UNLESS OTHERWISE SPECIFIED.
 4. ALL RESISTORS ARE 100% 4% METAL FILM RESISTOR.
 5. ALL CAPACITORS ARE 50V 5% CERAMIC CAPACITOR.
 6. RTN IN 41C IS 0V.
 7. ALL CAPACITANCE VALUES ARE IN (UF) UNLESS OTHERWISE SPECIFIED.
 8. ALL CAPACITORS ARE 50VDC IN THE FORM OF CAPACITORS (EXCEPT ELECTROLYTIC).
 9. F = FILM CAPACITOR.
 10. N = NONE FOR NOT INDICATED PARTS.

■ Panel-A section

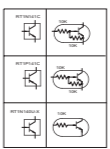


TO LVS10568-001A SHEET 2/2
PANEL B PWB CN501

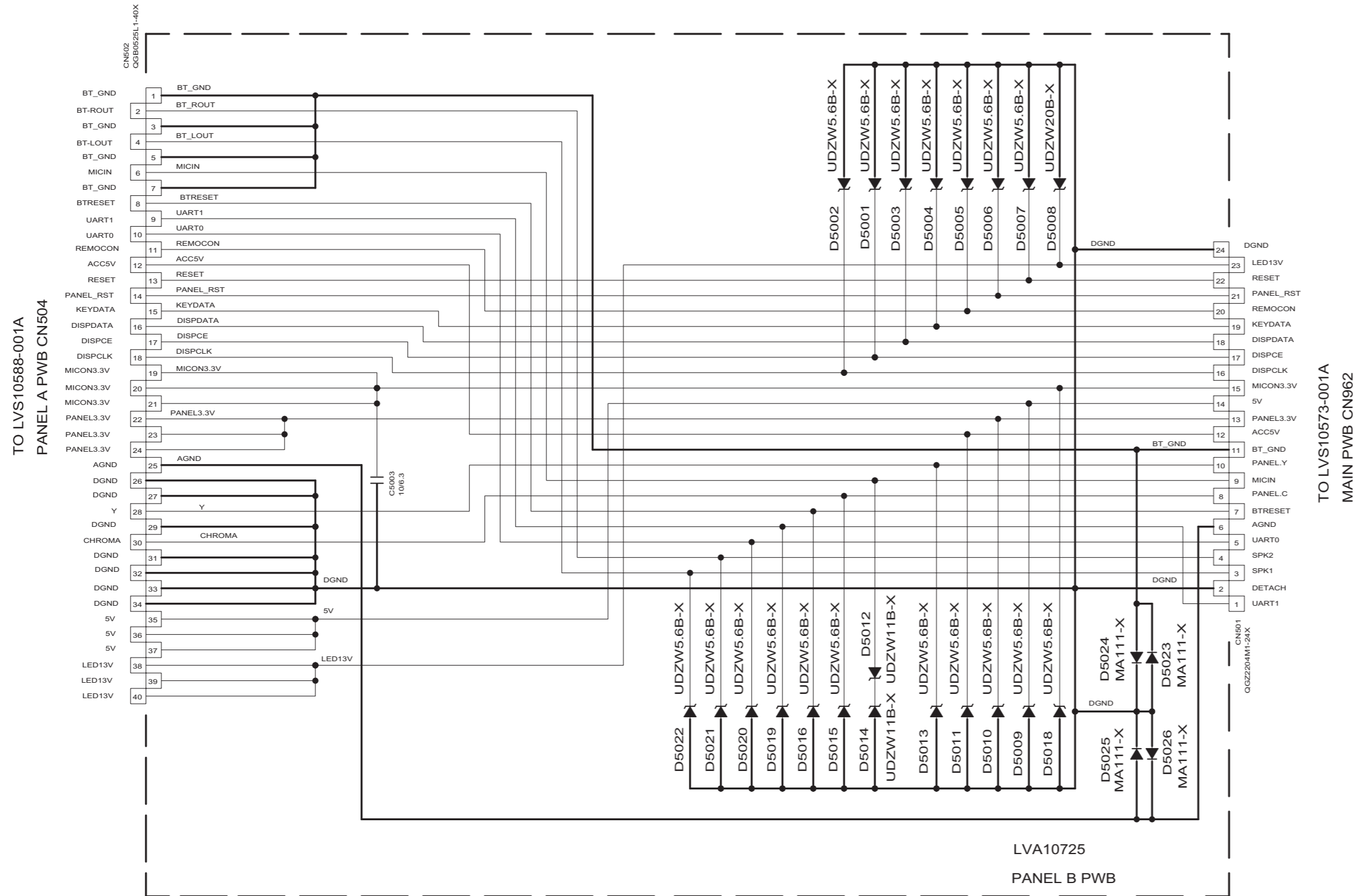
NOTES
 1. VOLTAGES ARE OBTAINED WITH A DIGITAL VOLT METER WITHOUT INPUT SIGNAL.
 CONDITION: DVD PLAYBACK MODE WITH DVD TEST DISC V-SBT.
 2. UNLESS OTHERWISE SPECIFIED:
 ALL RESISTORS ARE 1/8W AND METAL GLAZE RESISTOR.
 ALL CAPACITORS ARE 50V 50% CERAMIC CAPACITOR.
 ALL CAPACITANCE VALUES ARE IN OHMS.
 ALL CAPACITANCE VALUES ARE IN (UF-PF-UF).
 ALL CAPACITORS ARE SHOWN IN THE FORM OF CAPACITANCE/PRINTED VOLT RATING.
 F - FILM CAPACITOR.
 3. * STANDS FOR NOT MOUNTED PARTS.

REF	PART NO.	DESCRIPTION	QTY
1	IC601	MB87P2040PMT	1
2	IC502	MN103SB9NEW	1
3	IC504	FLASH ROM	1
4	IC471	CXM3017TQ	1
5	IC651	TB1323FG	1
6	IC652	MB90909FEV144EX	1
7	IC505	QAU0496-002	1

REF	PART NO.	DESCRIPTION	QTY
8	Q451	2SA1530AQR-X	1
9	Q452	2SA1530AQR-X	1
10	Q453	2SA1530AQR-X	1
11	Q471	2SC3928AQR-X	1
12	Q472	2SC3928AQR-X	1
13	Q473	2SC3928AQR-X	1



■ Panel-B section

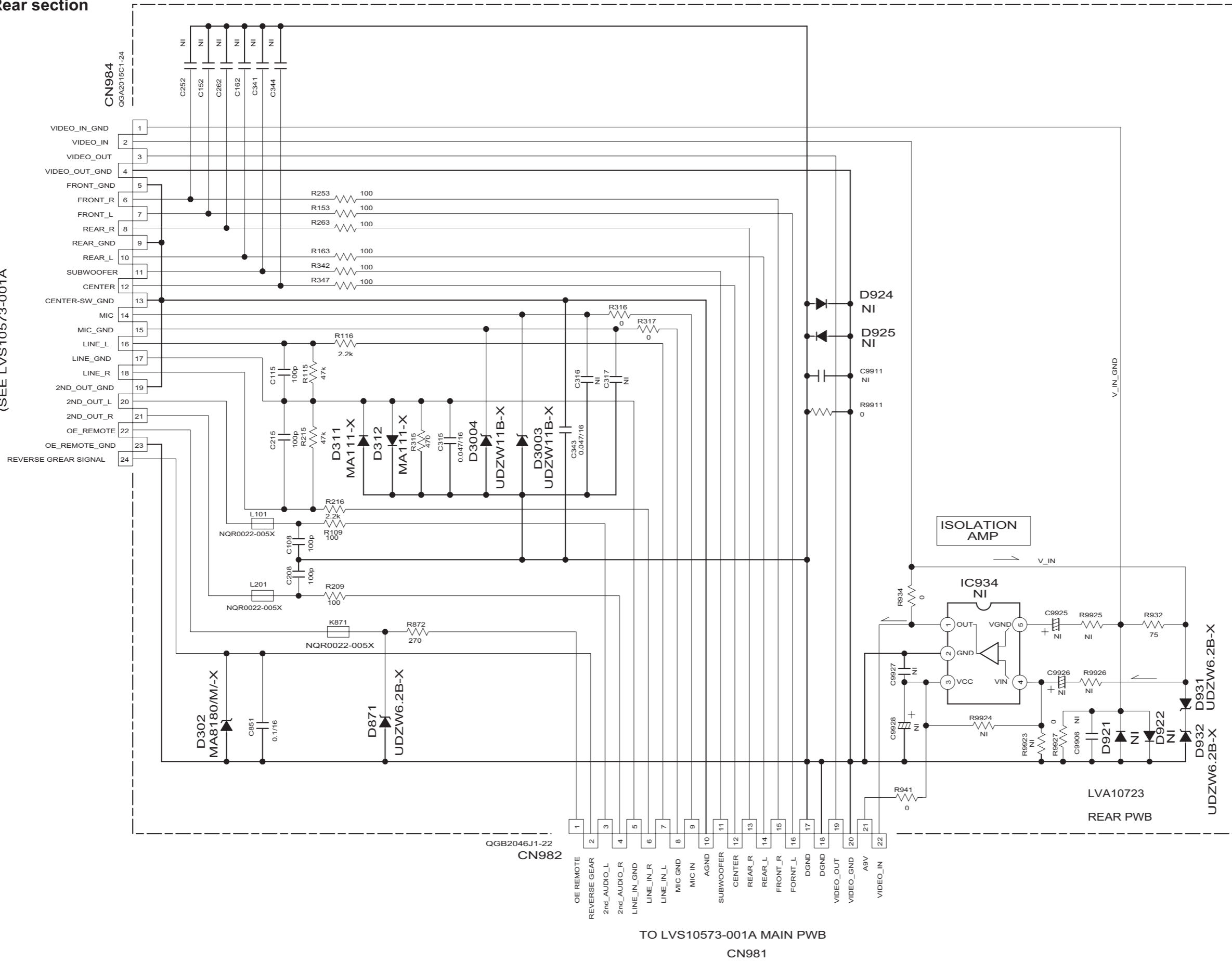


NOTES

1. VOLTAGES ARE DC-MEASURED WITH A DIGITAL VOLT METER WITHOUT INPUT SIGNAL
CONDITION --- DVD PLAYBACK MODE WITH DVD TEST DISC V-507.
2. UNLESS OTHERWISE SPECIFIED.
ALL RESISTORS ARE 1/10W +5% METAL GLAZE RESISTOR.
ALL CAPACITORS ARE 50V,25V CERAMIC CAPACITOR.
ALL RESISTANCE VALUES ARE IN OHM.
ALL CAPACITANCE VALUES ARE IN uF(P=pF)
ALL E.CAPACITORS ARE SHOWN IN THE FORM OF CAPACITANCE(uF)/RATED VOLTAGE(V)
F --- FILM CAPACITOR
3. NI STANDS FOR NOT MOUNTED PARTS

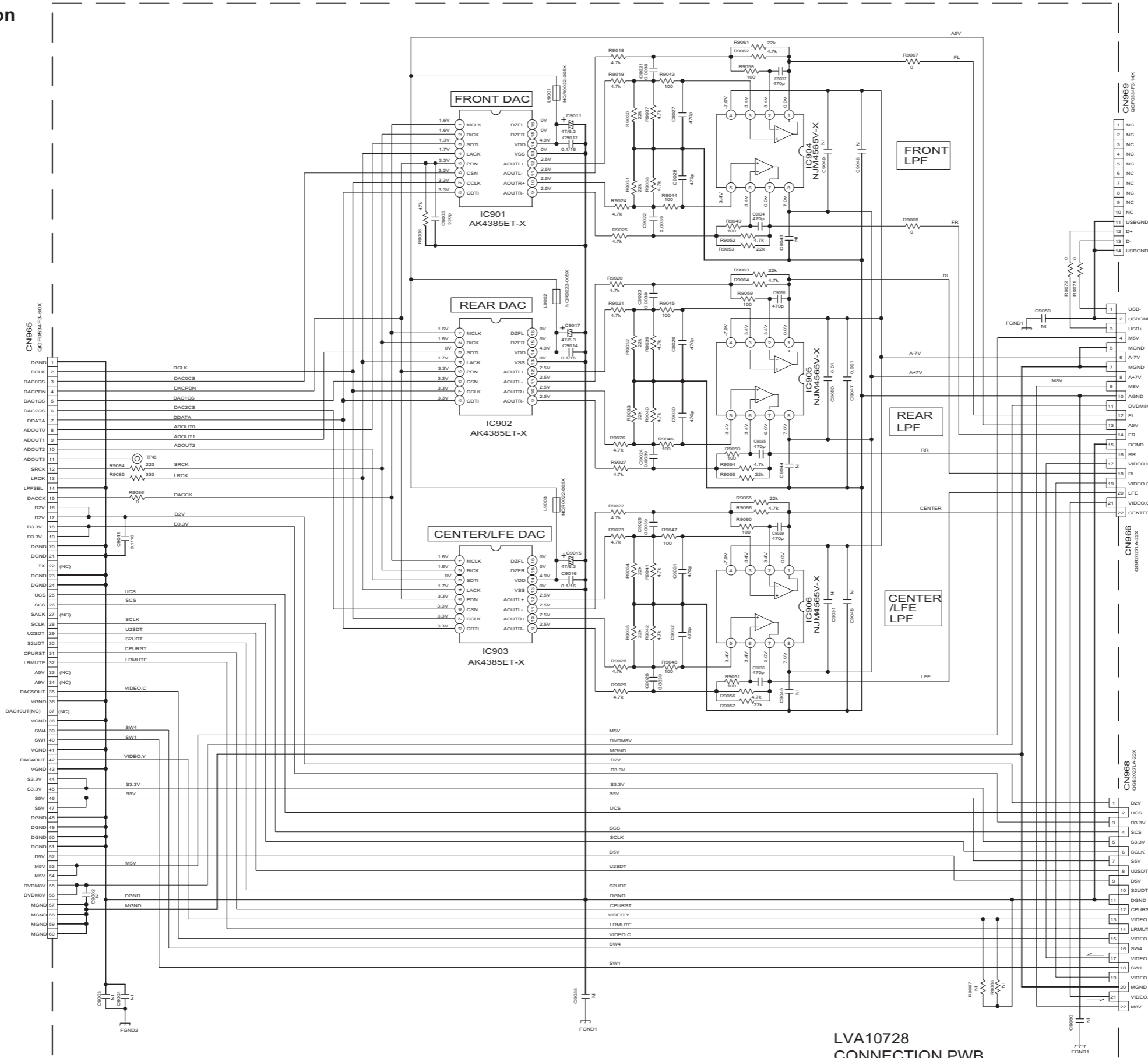
■ Rear section

*3 AV CABLE ASSY
(SEE LVS10573-001A)



■ Connection section

TO DVD MECHA (FMU-JD9-21)



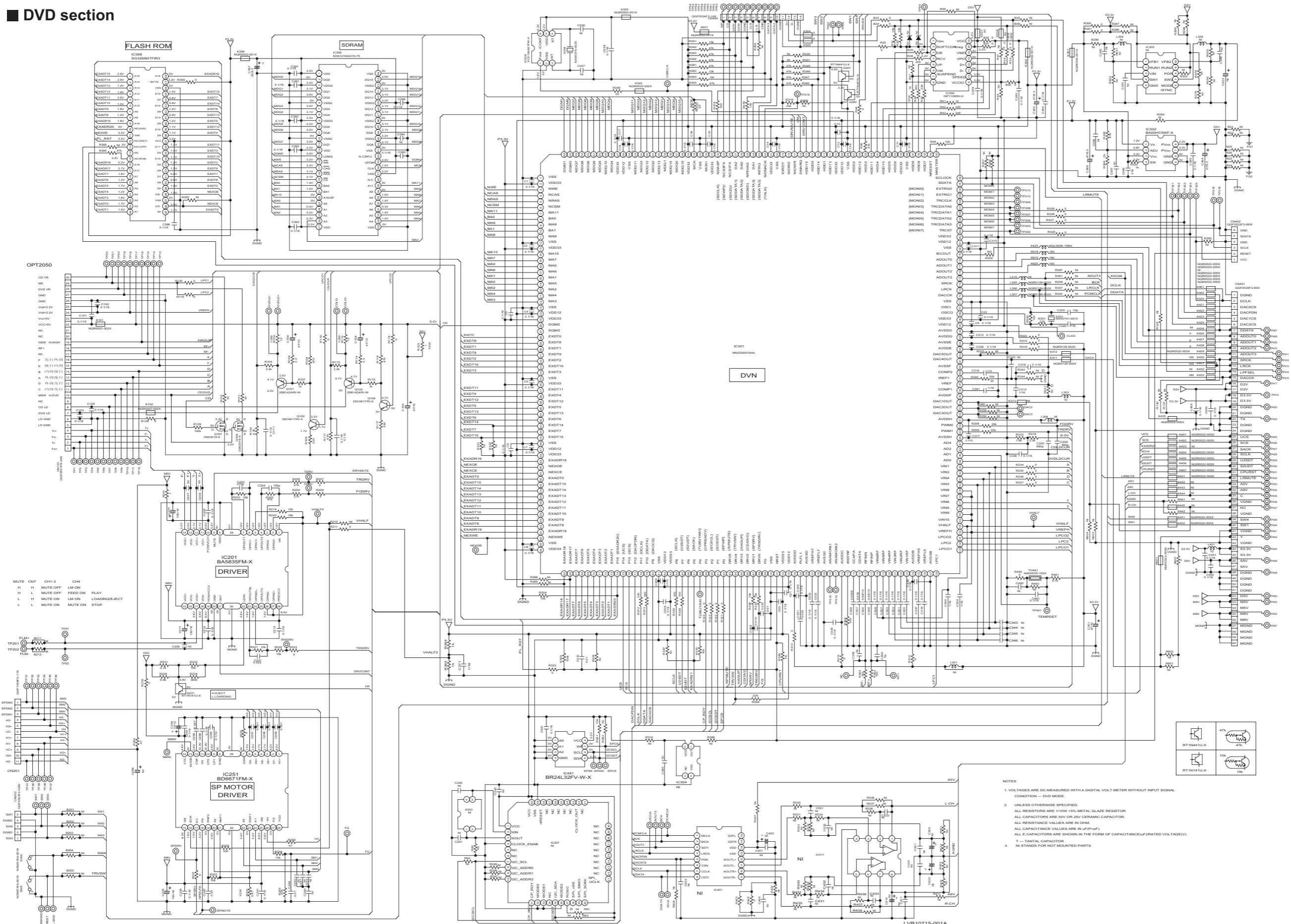
LVA10728
CONNECTION PWB

TO DVD MECHA
(FMU-JD9-21)

TO LVS10573-001A
MAIN PWB CN961 REAR SIDE

TO LVS10573-001A
MAIN PWB CN963 FRONT SIDE

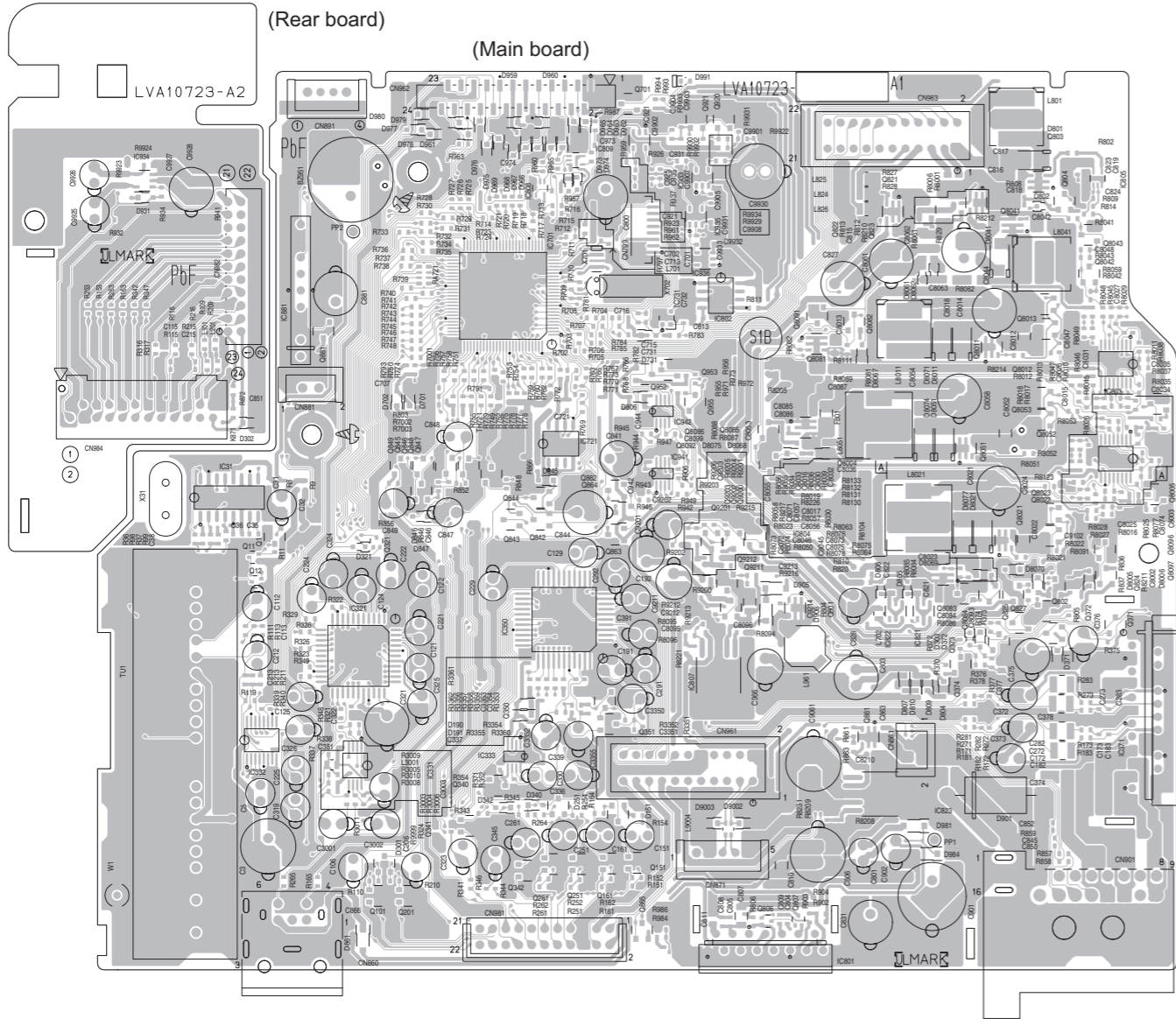
■ DVD section



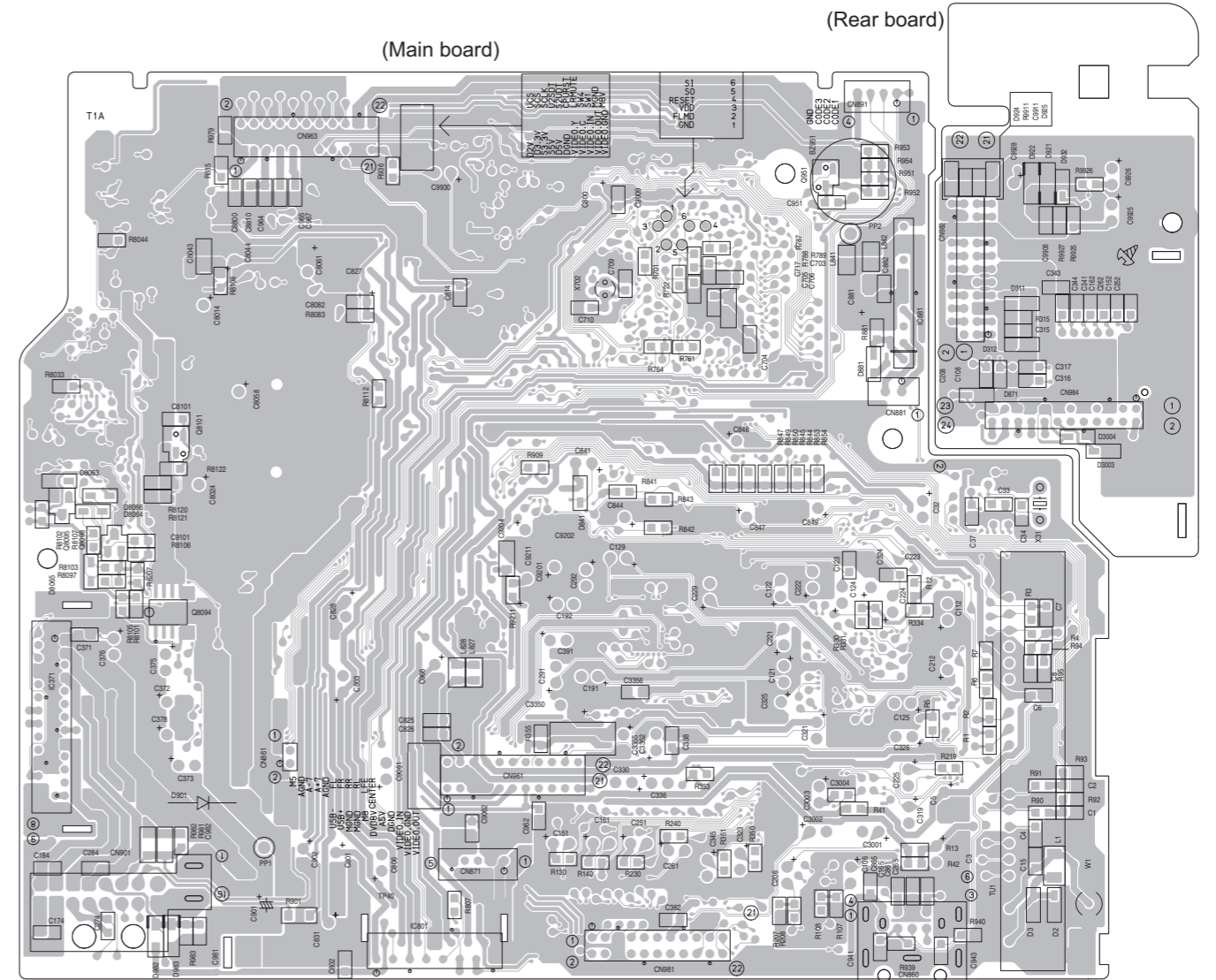
Printed circuit boards

■ **Main board** Lead free solder used in the board (material : Sn-Ag-Cu, melting point : 219 Centigrade)

(forward side) Lead free solder used in the board (material : Sn-Cu, melting point : 230 Centigrade)

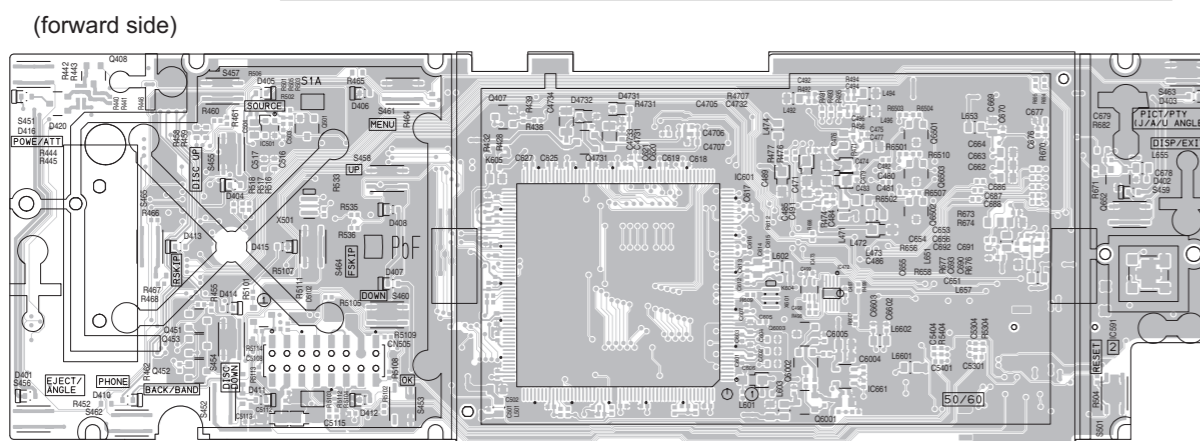


(reverse side)

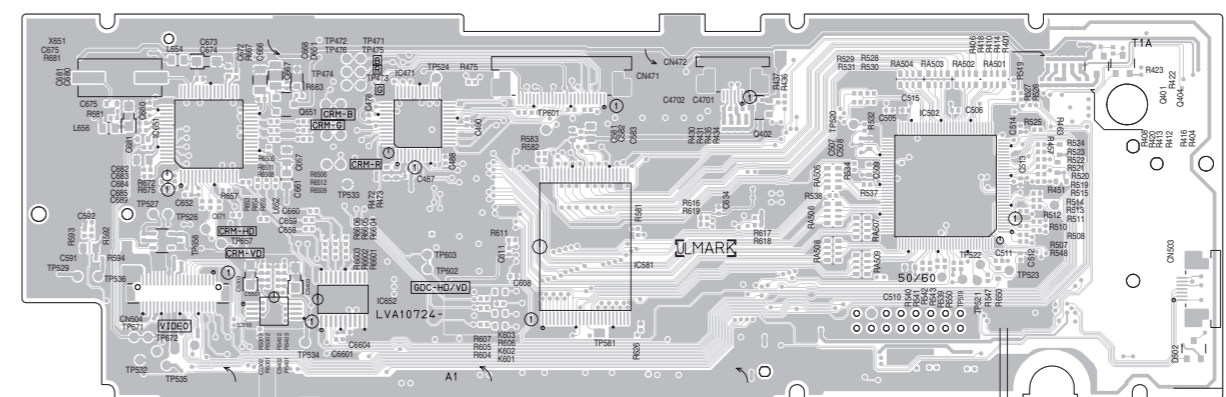


■ **Panel-A board** Lead free solder used in the board (material : Sn-Ag-Cu, melting point : 219 Centigrade)

(forward side) Lead free solder used in the board (material : Sn-Cu, melting point : 230 Centigrade)



(reverse side)

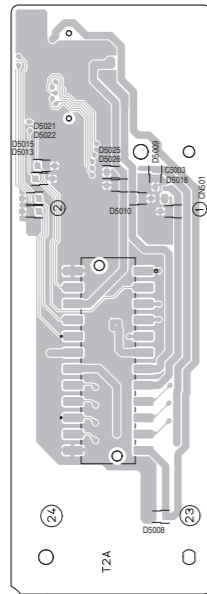
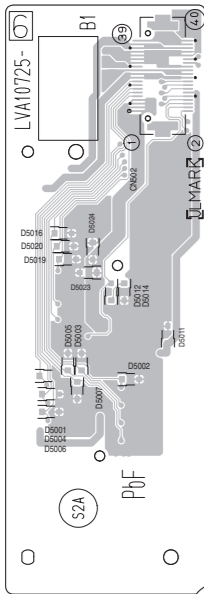


■ **Panel-B board** Lead free solder used in the board (material : Sn-Ag-Cu, melting point : 219 Centigrade)

Lead free solder used in the board (material : Sn-Cu, melting point : 230 Centigrade)

(forward side)

(reverse side)

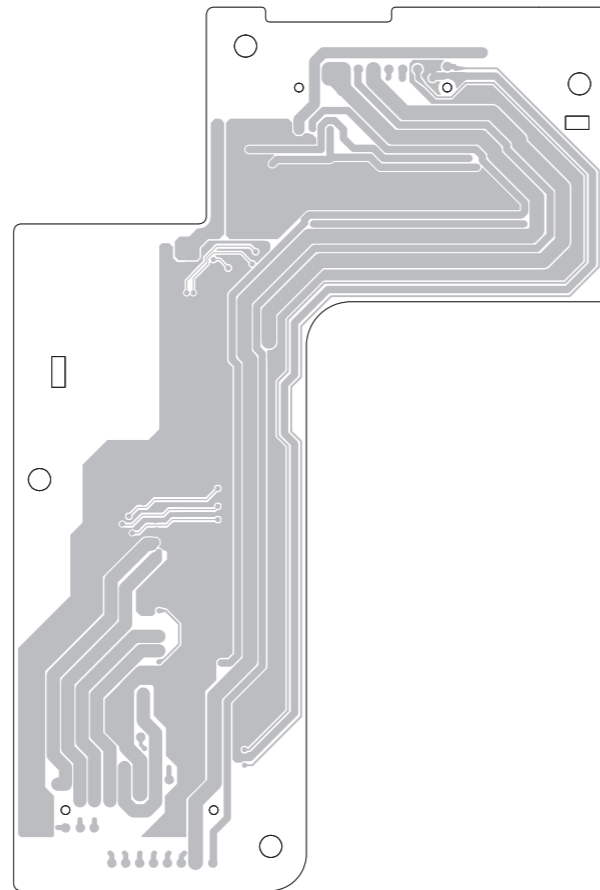
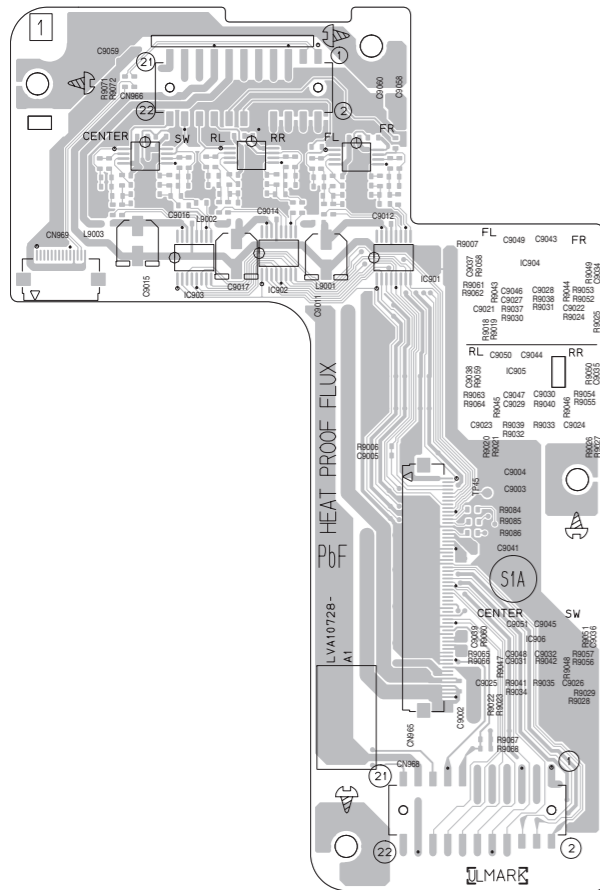


■ **Connection board** Lead free solder used in the board (material : Sn-Ag-Cu, melting point : 219 Centigrade)

Lead free solder used in the board (material : Sn-Cu, melting point : 230 Centigrade)

(forward side)

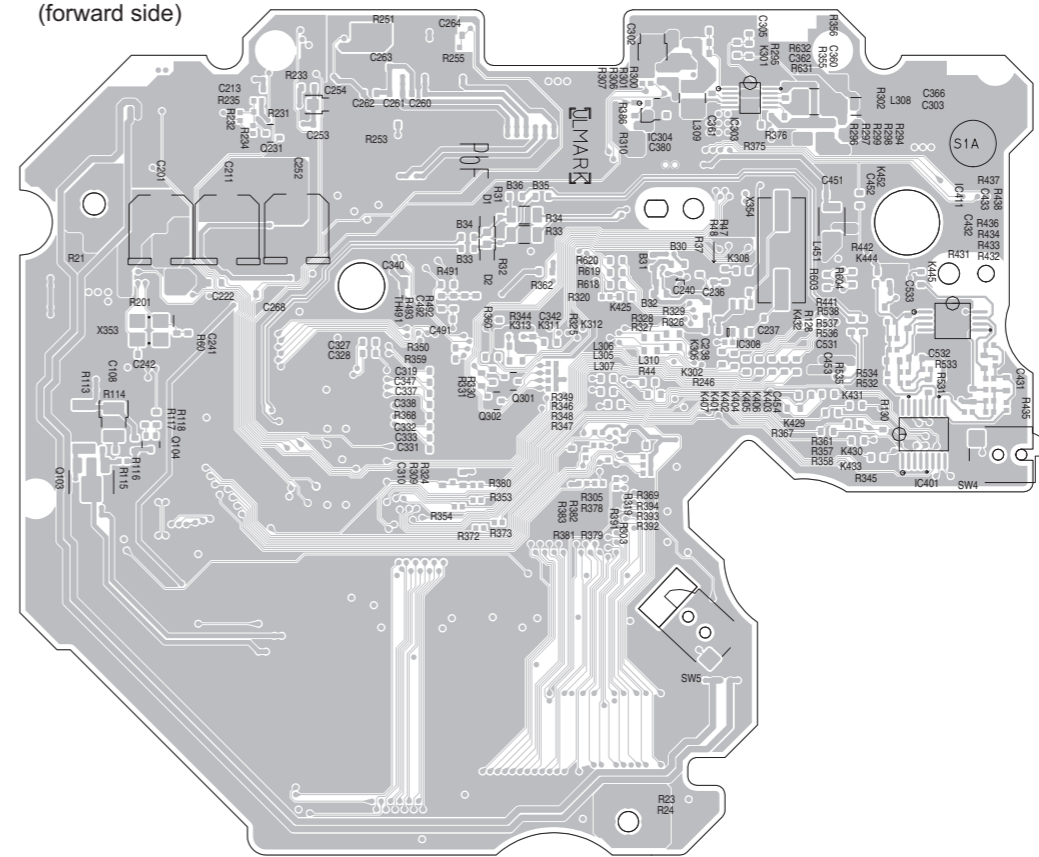
(reverse side)



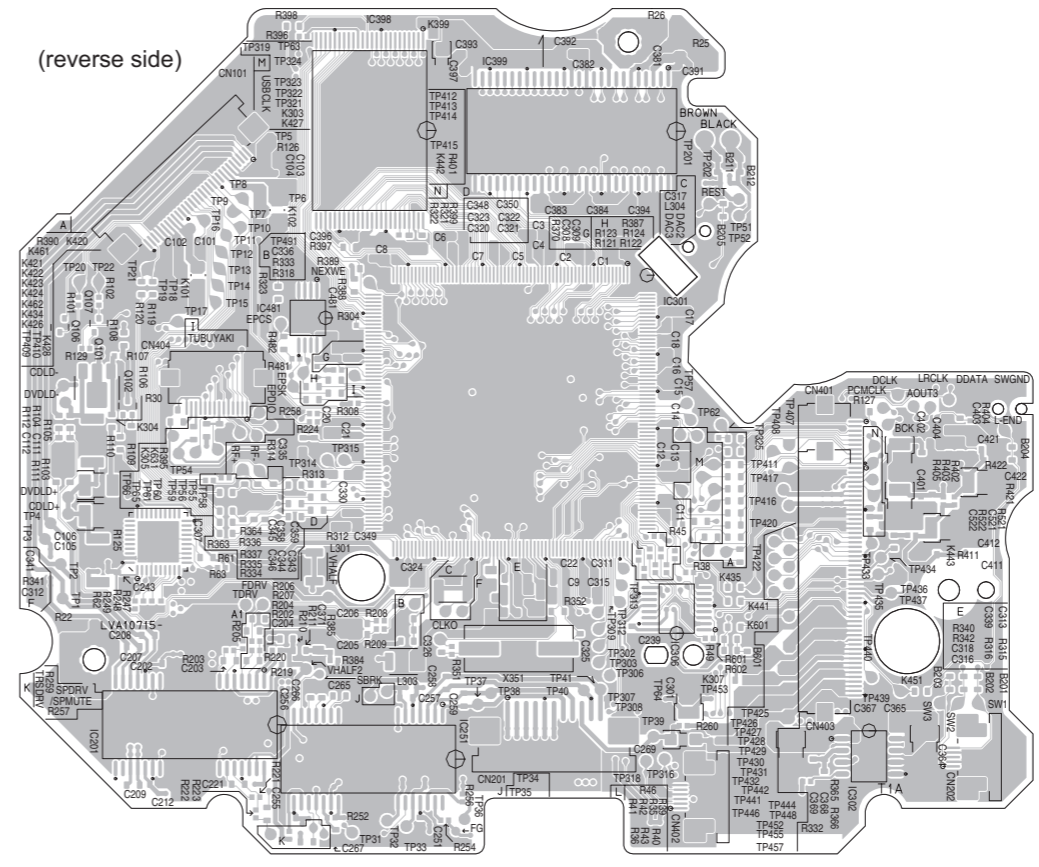
■ **Front end board** Lead free solder used in the board (material : Sn-Ag-Cu, melting point : 219 Centigrade)

Lead free solder used in the board (material : Sn-Cu, melting point : 230 Centigrade)

(forward side)



(reverse side)



< MEMO >

JVC

Victor Company of Japan, Limited

Mobile Entertainment Business Group Mobile Entertainment Category 10-1, 1chome, Ohwatari-machi, Maebashi-city, Gumma-ken, 371-8543, Japan

(No.MA321SCH)



Printed in Japan
VPT